

- Lead-free design †
- Glass-filled polysulfone valve body
- Thermoplastic polymer cartridge
- Reliable wax-filled thermostat
- Adjustable set point within temperature range
- Easy installation and serviceability
- Universal Mounting Capability
- Integral check valves and strainers
- Factory assembled and tested
- Optional mounting bracket

Valve Specifications

Maximum Operating Pressure
125 PSI (860 kPa)

Maximum Inlet Temperature
180° F (82° C)

Temperature Range
Std. 95° F (35° C) to 125° F (52° C)

Temperature Differential – Hot to Mix
10° F (18° C)

Flow Capacities – GPM (L/Min)

Min. Flow	Pressure Drop – PSI (Bar)						
	5 (.5)	10 (1.0)	15 (1.5)	20 (2.0)	30 (2.5)	45 (3.0)	60 (4.0)
0.35 (1.5)	2.0 (7.5)	2.5 (9.0)	3.0 (11.0)	3.5 (13.0)	4.5 (17.0)	5.5 (19.0)	6.5 (24.5)

Code Compliance and Certifications

ASSE 1070 & cUPC certified. Complies with California Lead Plumbing Law.



Certified to
NSF/ANSI 372

† Wetted surface contains less than .25% lead

- Standard product selections contained within this document are third party CERTIFIED to NSF/ANSI 372 meeting the Lead-Free content requirement. Any product configured with custom options will be COMPLIANT with NSF/ANSI 372 meeting the Lead-Free content requirement.**

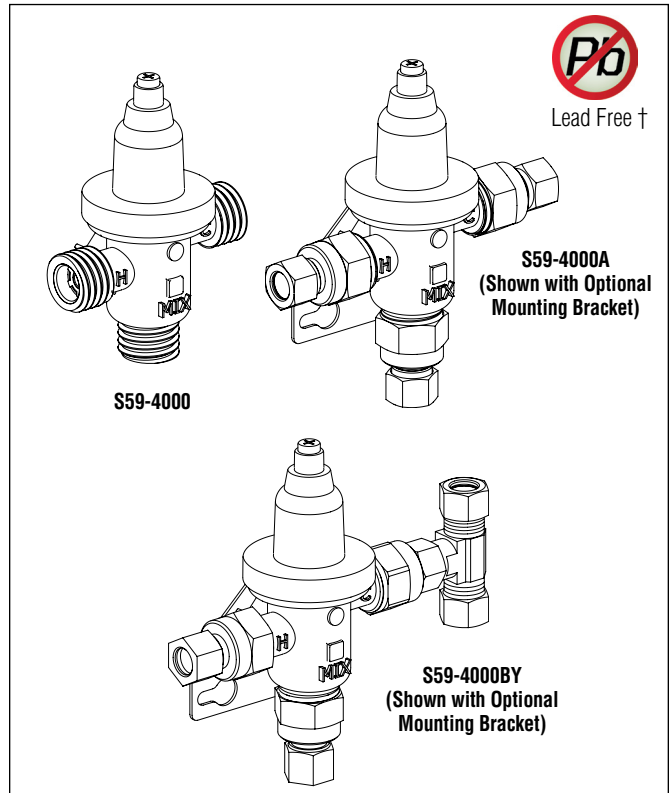
Engineer's Approval _____

Consult local and national codes. Conformity and compliance to local and national codes is the responsibility of the installer.

Page 1 of 2 8/19/2014

This information is subject to change without notice.

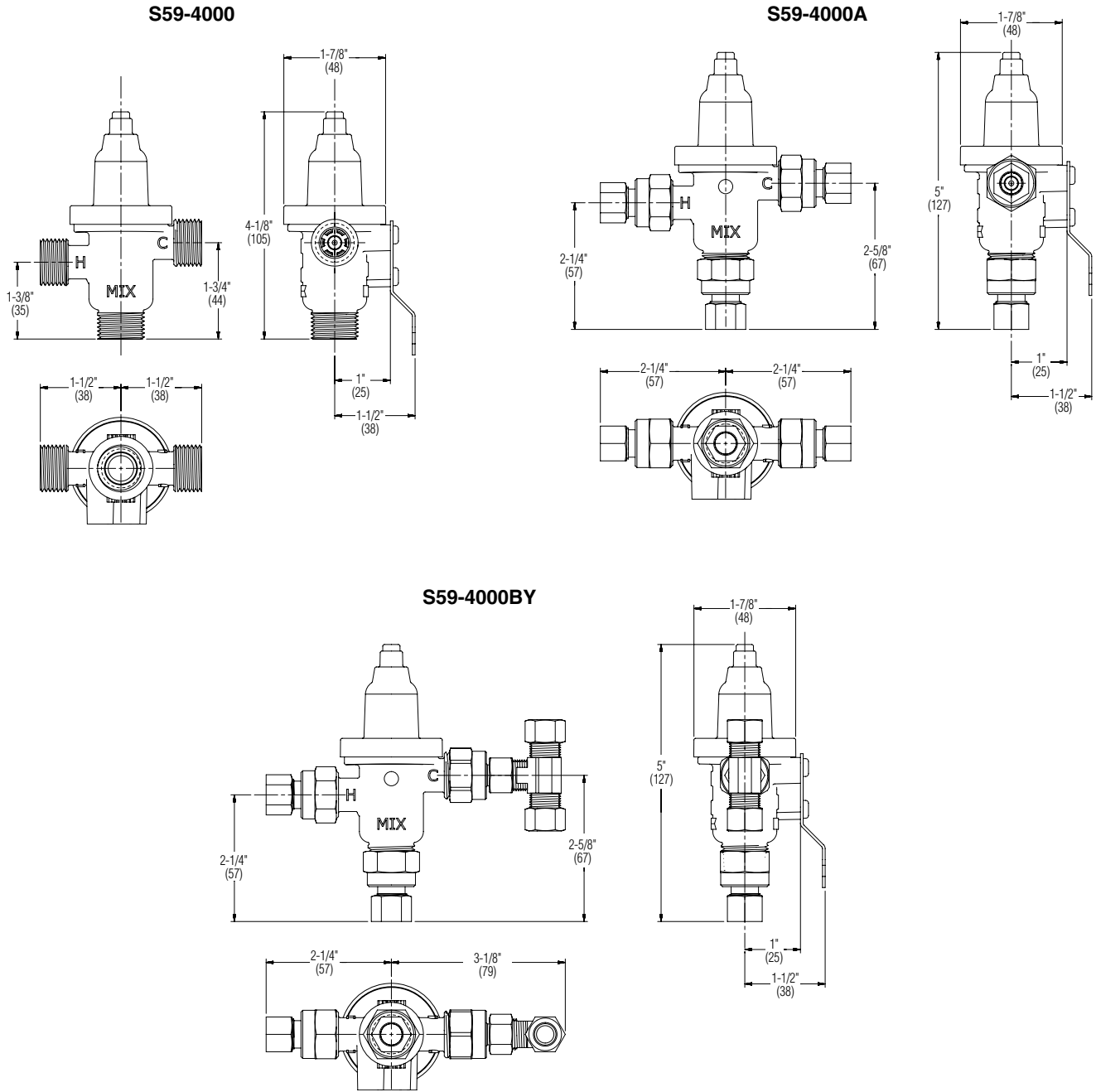
Bradley_TMV_PointOfUse_S59-4000_A_BY



Models (Must select one)

- | Model | Description |
|-------------------------------------|--|
| <input type="checkbox"/> S59-4000 | Navigator® Thermostatic Mixing Valve with 1/2" male NPT connection |
| <input type="checkbox"/> S59-4000A | Navigator Thermostatic Mixing Valve with 3/8" Compression Fittings |
| <input type="checkbox"/> S59-4000BY | Navigator Thermostatic Mixing Valve with 3/8" Compression Cold Side Bypass |
| <input type="checkbox"/> S45-2456 | Optional Mounting Bracket |

Dimensions (mm)



Consult local and national codes. Conformity and compliance to local and national codes is the responsibility of the installer.