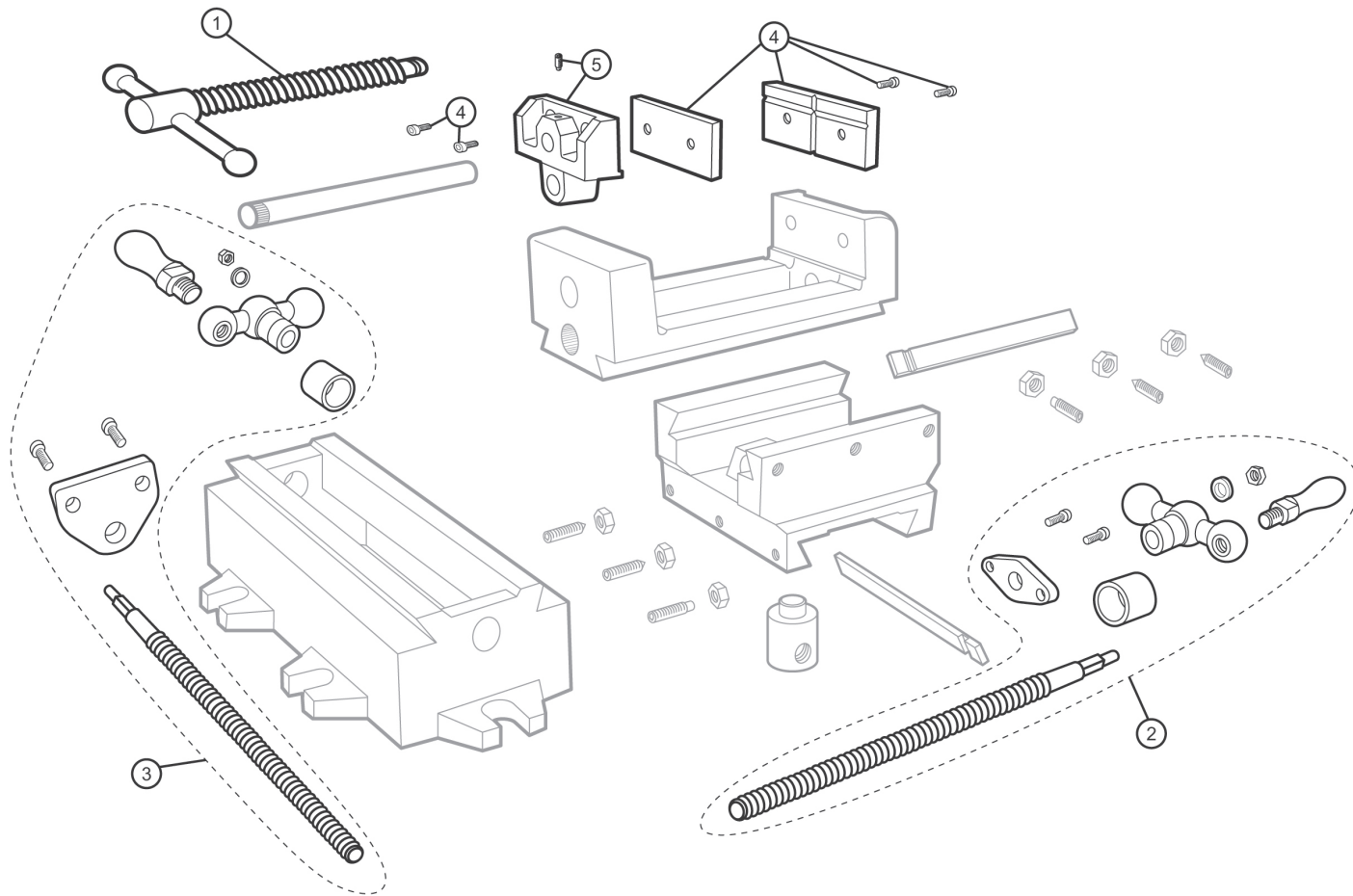




8" Cross Slide Drill Press Vise - Parts Diagram

8"Jaw Width, 8"Jaw Opening, 2" Jaw Depth

Stock #: 11698 Model #: CS8



#	Part	Description
1	11698-01	Handle & Spindle Assembly - 1
2	11698-02	Handle & Spindle Assembly - 2
3	11698-03	Handle & Spindle Assembly - 3
4	11698-04	Jaw Insert Assembly
5	11698-05	Moveable Jaw with Screw

WILTON

427 New Sanford Road
 LaVergne, Tennessee 37086
 Ph.: 800-274-6848
 www.wiltontools.com

Part No. M-11698

Revision B 08/2014

Copyright © 2014 WILTON, a Division of JPW Industries, Inc.