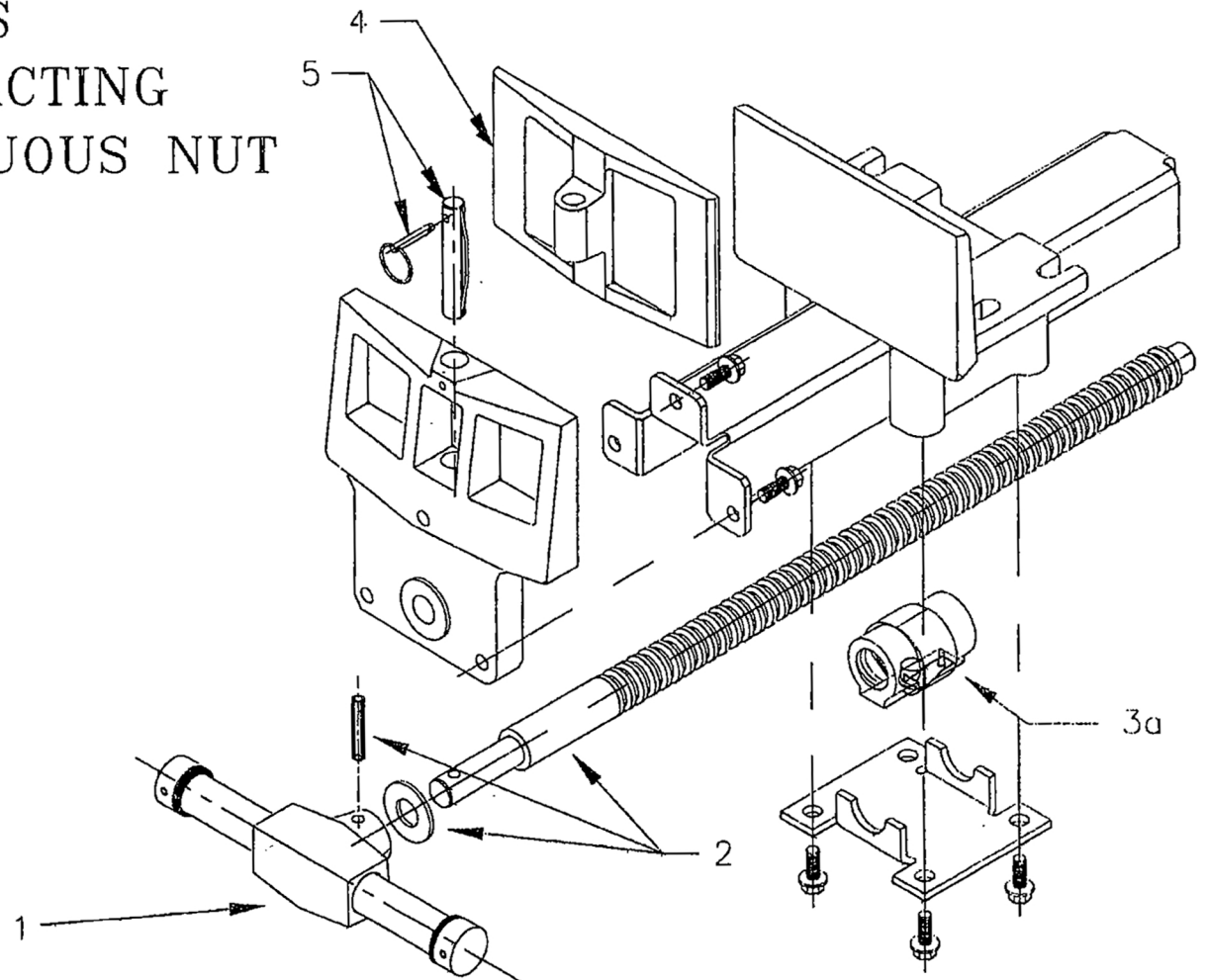
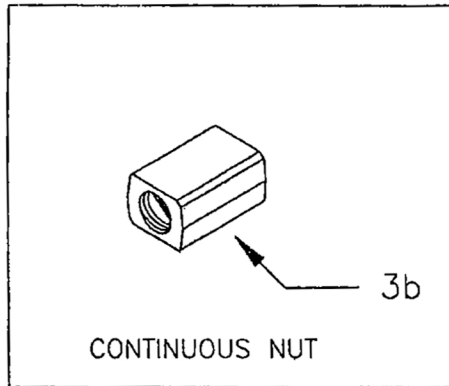


# WOODWORKING VISES

## 78A & 79A RAPID ACTING

## 78C & 79C CONTINUOUS NUT

### Replacement Parts



WJLTON MODEL NUMBER	BASIC VISE SIZE	ITEM #1 HANDLE ASSEMBLY	ITEM #2 SPINDLE, PIN & WASHER	ITEM #3a RAPID NUT ASSEMBLY	ITEM #3b CONTINUOUS NUT	ITEM #4 PIVOT JAW/ VISE DOG	ITEM #5 RELEASE & PIVOT PINS
78A*	4 X 7	1611811	2903370	1611881	NONE USED	1611931	2903380
78C**	4 X 7	1611811	2903370	NONE USED	1611781	1611931	2903380
79A***	4 X 10	1611811	2903390	1611881	NONE USED	1611981	2903380
79C****	4 X 10	1611811	2903390	NONE USED	1611781	1611981	2903380

\* Model 78A replaced model 53A  
 \*\* Model 78C replaced model 51A  
 \*\*\* Model 79A replaced model 64A  
 \*\*\*\* Model 79C replaced model 62A