



T&S BRASS AND BRONZE WORKS, INC.

2 Saddleback Cove / P.O. Box 1088
Travelers Rest, SC 29690



REG. #A2601
ISO #9001

Model No.

B-2187

Item No.

Travelers Rest, SC: 800-476-4103 • Simi Valley, CA: 800-423-0150 • Fax: 864-834-3518 • www.tsbrass.com

This Space for Architect/Engineer Approval

Job Name _____ Date _____

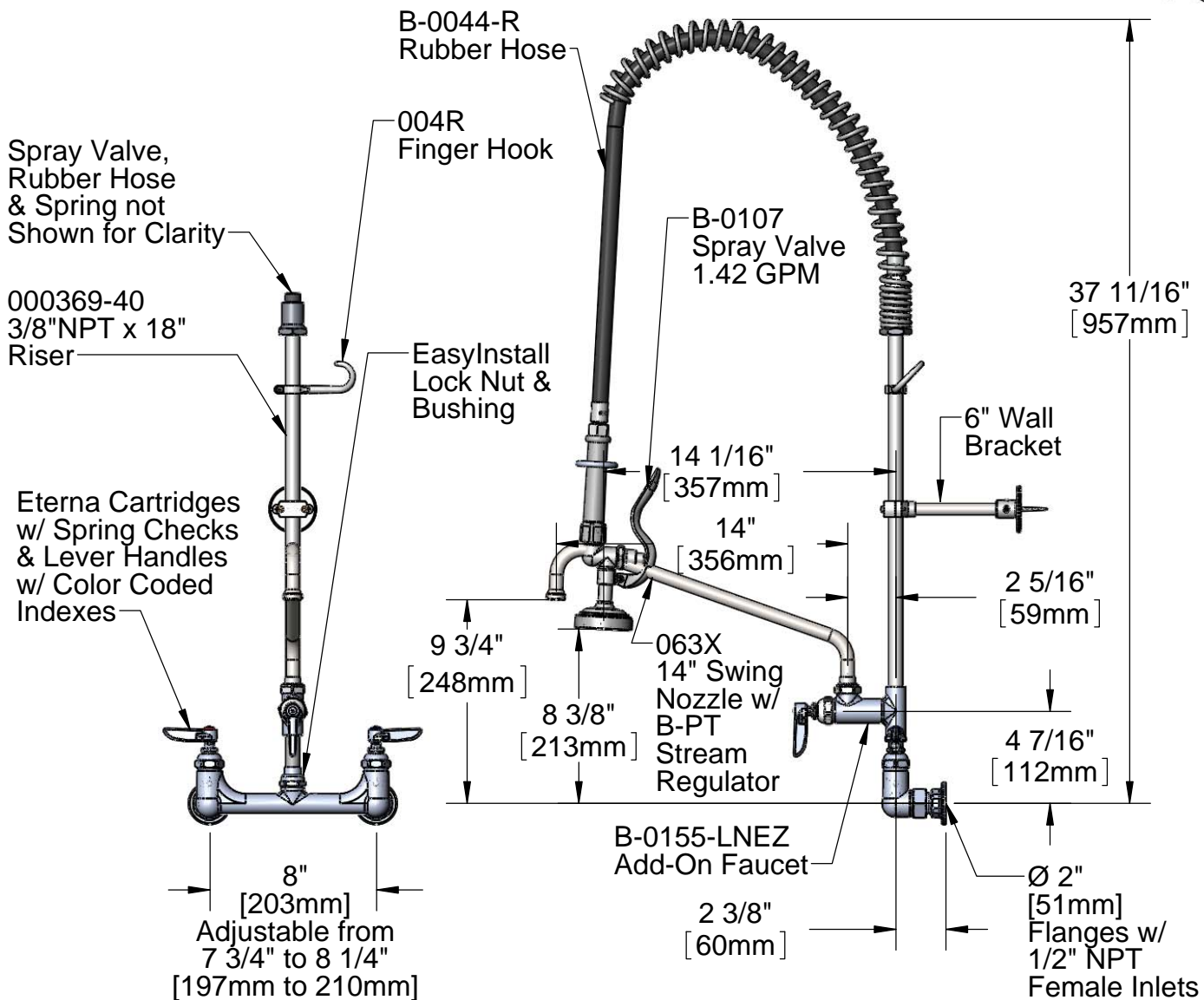
Model Specified _____ Quantity _____

Customer/Wholesaler _____

Contractor _____

Architect/Engineer _____

EPAct2005 COMPLIANT



Product Specifications:
 EasyInstall Pre-Rinse Wall Mount Mixing Faucet, Eterna Cartridges w/ Spring Checks, B-0044-R Rubber Hose, B-0107 Spray Valve & Add-On Faucet, 6" Wall Bracket w/ 063X Swivel Nozzle

Drawn	Checked	Approved
JRM	DMH	JHB
Scale:	Date:	
1:8	07/14/11	



T&S BRASS AND BRONZE WORKS, INC.

2 Saddleback Cove / P.O. Box 1088
Travelers Rest, SC 29690



REG. #A2601
ISO #9001

Model No.

B-2187

Item No.

Travelers Rest, SC: 800-476-4103 • Simi Valley, CA: 800-423-0150 • Fax: 864-834-3518 • www.tsbrass.com

ITEM NO.	SALES NO.	DESCRIPTION
1	B-0107	Spray Valve Assembly
2	010476-45	#27 Washer
3	000907-45	Spray Valve Hold Down Ring
4	B-0044-R	44" Rubber Hose w/ Grip Handle Assembly
5	000888-45	EasyInstall Overhead Spring
6	000821-40	Spring Body
7	004R	Finger Hook Assembly
8	B-0109-01	6" Wall Bracket Assembly
9	000369-40	3/8" NPT x 18" Long Riser
10	EZ-K	EasyInstall Retro Fit Kit, Nut, Bushing O-Ring & Lock Washer
11	001065-45	O-Ring
12	014200-45	Star Washer, Anti-Rotation
13	001661-45	Red Index-HW
14	002711-40	Cold Eterna Spindle Assembly w/ Spring Check, Handle, Index & Screw
15	001660-45	Blue Index-CW
16	012442-40	Cold Eterna w/ Spring Check
17	00AA	Coupling Flange Assembly
18	001019-45	Coupling Nut Washer
19	012443-40	Hot Eterna w/ Spring Check
20	002712-40	Hot Eterna Spindle Assembly w/ Spring Check, Handle, Index & Screw
21	001638-45	Lever Handle
22	000922-45	Lever Handle Screw
23	B-0155-LNEZ	EasyInstall Add-On Faucet Less Nozzle
24	007947-40	Quarter Turn Eterna Cartridge
25	B-PT	Stream Regulator Outlet
26	001048-45	Nozzle Tip Washer
27	063X	14" Swing Nozzle Assembly

Product Specifications:
EasyInstall Pre-Rinse Wall Mount Mixing Faucet, Eterna Cartridges w/ Spring Checks, B-0044-R Rubber Hose, B-0107 Spray Valve & Add-On Faucet, 6" Wall Bracket w/ 063X Swivel Nozzle

Drawn	Checked	Approved
JRM	DMH	JHB
Scale:		Date:
NTS		07/14/11