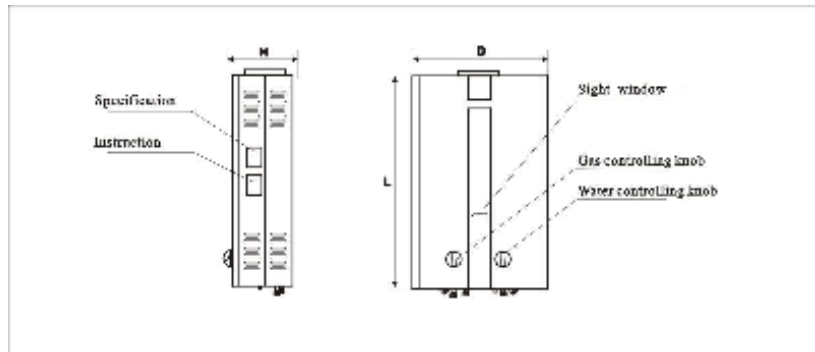


## Functions and Features

- Water controlled automatic ignition: Water pressure between 20-80 PSI opens the ignition circuit for easy and convenient operation
- Auto-cut-off protection: The auto-cut-off protection will shut the gas supply off immediately in the event of flameout to reduce the risk of gas leakage. There is also an automatic shut-off timer after 20 minutes of continuous use
- Energy savings: EF of 85%
- Removable drain valve to avoid water pipe and regulator damage caused by freezing water\*
- Anti-dry combustion protection: The unit will shut off the gas supply in the event water stops flowing through the unit



**\*Read the maintenance section on draining the unit entirely to avoid freeze issues.**

# L-10 Liter Outdoor Tankless Water Heater



**EcoTemp Systems, LLC**

**Volume 1, Issue 2**

**THE FUTURE OF EFFICIENCY**

**10 LITER OUTDOOR MOUNT LIQUID PROPANE WATER HEATER**

## Table of Contents

Use and Care Introduction .....	3
WARNINGS.....	4
The Purpose and Benefits of the L10.....	7
Functions and Features.....	8
Getting Started .....	10
Installation/Use.....	12
Adjustment.....	1
4	
Troubleshooting.....	16
Additional Products .....	20

## The Purpose and Benefits the L-10

The EccoTemp L-10 is a liquid propane fired water heater capable of delivering 2 to 2.65 gallons of hot water almost anywhere. The unit has standard 1/2"NPT pipe fittings and an adapter for using a standard garden hose for inlet water supply.

The L-10 is not a toy. People around the world use similar units to heat the water in their homes, safely, and reliably.

Gas is supplied from a standard 20 pound propane cylinder (not included) such as used with outdoor grills. A regulator with hose is furnished with the heater.

You may also plumb it in to existing water lines and using a low pressure LP gas regulator.. Check local codes for proper installation.

The unit includes a stainless steel rain cap that is to help venting of the flue gases as well as protect it for outdoor usage.

Ignition is automatic and powered by 2 "D" cell batteries (not included). Burners come on when water flows, and off when the water is shut off. No pilot light!

## ADDITIONAL WARNINGS

1. **Do not leave unattended**
2. **The exhaust gas and top of the unit is HOT! Do not place hands or any foreign object near the top of the heater.**
3. **Do not use in high wind conditions**
4. **If the smell of gas is detected, turn off the gas valve at the tank immediately! Do not use flame for leak detection.**
5. **Use only Liquid Propane**
6. **Use only outdoors**
7. **Do not over tighten the gas regulator connection to the unit with a wrench. This may cause a crack in the gas regulator.**

The purpose of this manual is twofold; one, to provide the installer with the basic directions and recommendations for the proper installation and adjustment of the water heater, and two, to the owner operator, to explain the features, operation, safety precautions, maintenance and troubleshooting of the water heater. This manual also includes a parts list.

It is imperative that all persons who are expected to install, operate, or adjust this water heater read the instructions carefully so they may understand how to perform these functions. If you do not understand these instructions or any terms within, seek professional advice.

Any questions regarding the operation, maintenance service or warranty of this water heater should be directed to Eccotemp Systems, LLC directly by calling toll free at 866.356.1992 or via email at [info@eccotemp.com](mailto:info@eccotemp.com).

Do not destroy this manual. Please read carefully and keep in a safe place for future reference.



California Proposition 65 Warning: This product contains chemicals known to the State of California to cause cancer, birth defects, or other reproduction harm.

**WARNING:** If the information in these instructions is not followed exactly, a fire or explosion may result causing property damage, personal injury or death.

**DANGER!**

## IMPORTANT SAFETY INFORMATION. READ ALL INSTRUCTIONS BEFORE USING.

Be sure to read and understand the entire Use and Care Manual before attempting to install or operate this water heater. It may save you time and money. Pay particular attention to the Safety Instructions. Failure to follow these warnings could result in serious bodily injury or death. Should you have problems understanding the instructions in this manual, or have any questions, STOP, and get help from a qualified service technician, or the local gas utility.



### **▲ DANGER!**

#### **INSTALL AND PROPERLY VENT THE WATER HEATER...**

Failure to properly install the water heater outdoors as outlined in the Installation Instructions in this manual can result in unsafe operation of the water heater. To avoid the risk of fire, explosion, or asphyxiation from carbon monoxide, never operate this water heater unless it is installed properly and has an adequate air supply for proper operation. Be sure to inspect the flue terminal for proper installation on initial start-up and at least annually thereafter. Refer to the Care and Cleaning section of this manual for more information regarding flue terminal inspection.



### **▲ WARNING!**

Gasoline, as well as other flammable materials and liquids (paints, varnishes, oil, antifreeze, etc.) and the vapors they produce are extremely dangerous. DO NOT handle, use or store gasoline or other flammable or combustible materials anywhere near or in the vicinity of a water heater or any other appliances. Be sure to read and follow the labels on the water heater, as well as the warnings printed in this manual. Failure to do so can result in property damage, bodily injury or death.



## NATURAL GAS AND LIQUEFIED PETROLEUM MODELS

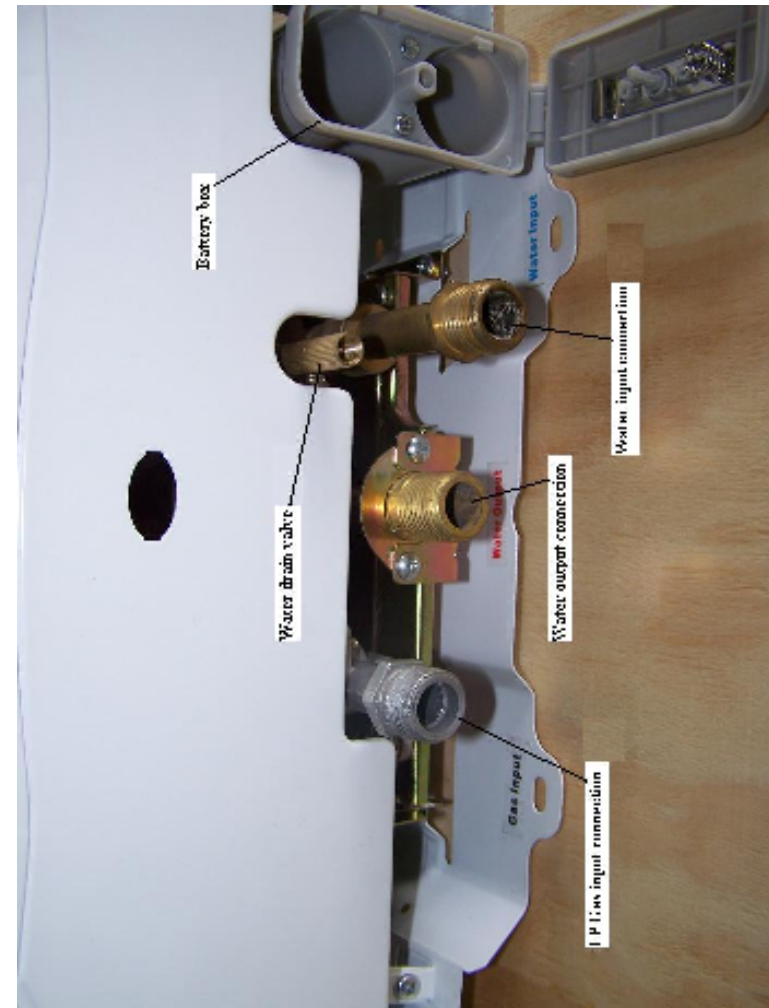
Both LP and natural gas have an odorant added to aid in the detecting a gas leak. Some people may not physically be able to smell or recognize this odorant. If you are unsure or unfamiliar with the smell of LP or NG, ask the gas supplier. Other conditions such as "odorant fade", which causes the odorant to diminish in intensity, can also hide or camouflage a gas leak.

- Water heaters utilizing LP gas are different from natural gas models. A natural gas water heater will not function safely on LP gas and vice versa
- No attempt should ever be made to convert the water heater from NG to LP gas. To avoid possible equipment damage, personal injury, or fire, do not connect the water heater to a fuel type not in accordance with the data plate.
- LP gas must be used with great caution. It is heavier than air and will collect first in lower areas making it hard to detect at nose level.
- Before attempting to light the water heater, make sure to look and smell for gas leaks. Use a soapy solution to check all gas fittings and connections. Bubbling at a connection indicates a leak that must be corrected. When smelling to detect a gas leak, be sure to sniff near the floor also.
- Gas detectors are recommended in LP and NG applications and their installation should be in accordance with the detector manufacturer's recommendations and/or local laws, rules, regulations or customs.



## Getting Started

1. Check box for damage. Damages caused in shipment must be reported immediately.
2. Make sure you have all the parts:
  - a. Water heater
  - b. LP gas regulator and hose
  - c. Rain cap
  - d. ½" NPT to garden hose adapter
  - e. Hardware pack
3. Install the rain cap to the top of the flue vent. The rain cap should fit securely. It is recommended that a beaded layer of high temperature sealant is used around the perimeter of the seal between the rain cap and the flue vent.
4. If using a standard garden hose, attach the ½" NPT to garden hose adapter to the fitting marked "Water Input". Use "Teflon" tape or other approved sealing method on the threads for a secure, water tight fit. Check to make sure the screen inside the water inlet is in place and clean. Then attach your water input/garden hose.
5. Install gas supply line and regulator to the unit. **DO NOT OVER TIGHTEN. OVER TIGHTING MAY CRACK THE GAS REGULATOR CAUSING A GAS LEAK!** Check for any gas smell before ignition! Make sure it is screwed all the way on.



# ADJUSTMENT

The temperature of the outgoing water is dependent on the temperature of the incoming water balanced with the amount of heat applied. Use extreme caution in setting the outlet water temperature.

1. **With the water regulator set to high, and the gas regulator set to low, feel the outgoing water. This is the lowest setting available.**
2. **To initially raise the outgoing temperature, slowly turn the gas valve towards maximum. Adjust slowly and check the temperature often. There will be a slight delay between increasing the gas supply and the increase in water temperature.**
3. **Should the outlet water temperature need to be higher, slowly reduce the water flow regulator until desired temperature is reached.**

## WARNING:

**THE UNIT WILL PRODUCE  
TEMPERATURES CAPABLE OF SCALDING!**

6. Attach your water output apparatus to the fitting marked "Water Outlet". **Do not over tighten!** If installing in an existing water system, connect the hot water line directly to the 1/2" NPT fitting.
7. Install two "D" cell batteries in the compartment on the bottom left of the heater. Check that batteries are facing the correct direction.
8. Use the top tab on the unit to suspend from a screw adequate to holding 30 pounds. Place at a comfortable height without putting stress on the gas hose. If the unit is to be permanently mounted, use screws to attach the bottom tab firmly.
9. Attach gas regulator with hose to the LP tank. Use hand pressure only on the plastic connector. **LEAVE GAS TANK VALVE IN THE "OFF" POSITION**.

Before going to the USE section:

Check around area for flammables, especially gasoline or other vapors which may ignite. The exhaust and top of the unit will get HOT! Make sure there are no foreign objects around the unit or have fallen into the top.

## Use and Starting

1. Turn on incoming water supply. Ensure that you have adequate water pressure of between 40-50PSI.
2. Turn your water output device to its “off” position.
3. Turn the gas valve on the cylinder all the way open.
4. **IF THE SMELL OF GAS IS DETECTED, TURN OFF THE GAS VALVE IMMEDIATELY!!!!**
5. Set the water regulator knob on the face of the unit to its highest setting.
6. Set the gas regulator knob on the face of the unit to its minimum setting.
7. Turn on your water output device to the “on” position and adjust to the desired water flow.
8. There will be a series of audible clicks and the burner will ignite. (Should the burner not ignite after 5 seconds, shut off and go to the “Trouble Shooting” section.
9. Upon completion of use or storage, open the drain valve (ribbed cylindrical stem next to the water input valve) to ensure draining of water.
10. **WARNING:** If the outside temperature is around or below freezing (32 degrees F, 0 degrees C), ensure that the drain valve is opened and water drained from the unit after each use to avoid internal damage to the water regulator. You will also need to unhook the outgoing water line to ensure that any water in the heat exchanger is drained. Failure to properly drain your unit will cause water damage which may or may not be reparable. Please check the warranty information found on our website at [www.eccotemp.com/freeze.htm](http://www.eccotemp.com/freeze.htm) for more information on freezing issues.



Le but de ce manuel est double; premièrement, de fournir à l'utilisateur les directions et recommandations de bases pour l'installation adéquate et ajustements du chauffe-eau, et deuxièmement, d'expliquer au propriétaire et opérateur, les fonctions, l'opération, précautions de sécurité, entretien et résolution des problèmes du chauffe-eau. Ce manuel contient aussi une liste des pièces.

Il est impératif que toute personne se préparant à installer, faire fonctionner, ou à ajuster ce chauffe-eau lise les instructions attentivement pour qu'elle puisse comprendre comment exécuter ces fonctions. Si vous ne comprenez pas ces instructions ou quelconques termes ci-contre, ayez recours aux conseils d'un professionnel.

Toutes questions concernant l'opération, les services d'entretien ou la garantie de ce chauffe-eau devrait être adressées à Eccotemp Systems, LLC directement en appelant sans-frais au 866.356.1992 ou via courriel au [info@eccotemp.com](mailto:info@eccotemp.com).

Ne pas détruire ce manuel. Veuillez le lire attentivement et le conserver en lieu sûr pour référence future.



Avertissement de Californie, Proposition 65 : Ce produit contient des produits chimiques reconnus par l'État de la Californie comme étant cancérigènes, causant des anomalies et nuisances à la naissance.

**AVERTISSEMENT** : Si l'information contenue dans ces instructions n'est pas suivie exactement, un feu ou une explosion pourrait en résulter, causant dommages à la propriété, blessures personnelles ou la mort.

**NOTE: Before attempting to remove the cover, call technical support at 866.356.1992**

e. A wire has become disconnected inside the unit during shipping. Make sure the gas is OFF. The front cover is held by six screws, four on top, two on bottom. The knobs pull off. All the wiring is done with push together plastic connectors. They are all visible without further dismantling of the unit. It should be obvious when a wire has become disconnected.

f. It is possible that some debris or epoxy might have entered the water regulator. Check to see if the filter screen on the water inlet is clear of debris. You can also reverse the hookup by taking your water source and hooking it up to the water **outlet** side and back flushing the system.

g. Propane gas cylinders sometimes are contaminated with air, especially new tanks upon their first filling. Cycle the unit on and off by using the shower head switch several times (5) to purge the air from the gas.

**Should a unit fail to light or stay lit after 10 cycles, Call technical support at 808.217.3123 or 866.356.1992.**

**Units starts, then shuts off:**

a. The unit requires a minimum of about 0.5 gallons per minute (2 liters) and a minimum of about 25 PSI\* Note, water pressure is at the lower end of operating parameters. You will need a sustained water pressure of approximately 40-60 PSI for adequate use if you are using a 12/18/120 volt pump. See ADJUSTMENT in previous section above.

b. High wind

c. Out of, or low on gas. Propane gas cylinders sometimes are contaminated with air, especially new tanks upon their first filling. Cycle the unit on and off by using the shower head switch several times (5) to purge the air from the gas.

If this doesn't clear the air then the tank must be purged.

d. One of the ignition sensors is bent and/or too close to the burner. Look to ensure that the ignition pins and the heat sensor are completely vertical and they do a 90 degree to the back of the box. If they are not straight (i.e. a 45 degree angle) then you can straighten them with pliers.

e. The thermocouple is either too high or too low to complete the circuit. Check to ensure that the thermocouple is flush with the hole in the heat exchanger.

f. The gas sensor wire (looks like a black ground wire on the gas regulator) flange might have come loose or is no longer connected.

g. There is a faulty heat or oxygen sensor. This is usually diagnosed by taking the front case off of the unit and let it run. If it continues to operate, then one of the sensors and/or the wire harness needs to be replaced. This may also be caused by insufficient clearance on the back of the unit where the majority of air intake is.

h. The valve on the propane tank should be all the way "Open".

i.. Fresh batteries are required for ignition spark. Make sure batteries are aligned in the proper polarity (+/-).

**The water does not get hot enough:**

a. You are operating the unit above 6,000 feet. While it has been field tested up to 7,200 feet, we only recommend using it below elevations of 5,500-6,000 feet.

b. Look into the viewer panes (middle horizontal windows on the front cover) to see if there is a blue flame. If the flame is yellow there could be a cracked gas regulator. Do Not Attempt to use the unit and call Eccotemp directly.

**Table des Matières**

Introduction à l'Utilisation et à l'Entretien .....	3
AVERTISSEMENTS .....	4
Utilité et Bénéfices du L-10 .....	7
Fonctions et Caractéristiques.....	8
Démarrage .....	10
Installation/Utilisation .....	12
Ajustements.....	14
Résolution des Problèmes.....	16
Produits Additionnels .....	20

# Chauffe-Eau Sans Réservoir L-10



**EccoTemp Systems, LLC**

**Volume 1, 2e Publication**

**LE FUTURE DE L'EFFICACITÉ**

**CHAUFFE-EAU EXTÉRIEUR DE 10 LITRES AU PROPANE**

## **Water is flowing, but there is no hot water coming out:**

- a. Ensure that you have the incoming water supply and the outgoing water supply hooked up properly. Your water supply should be attached to your incoming connection (located on the far right) and the shower head should be attached to the outgoing water (located as the center connection)
- b. Ensure that you have adequate water pressure of at least 20 PSI, sustained.
- c. Ensure that you have adequate gas in your propane bottle and that the LP regulator is threaded all of the way on to the unit.
- d. Fresh batteries are required for ignition spark. Make sure batteries are aligned in the proper polarity (+/-)

If you are still having troubles or are on a modified water system, please call technical support at **866.356.1992**

## **The unit does nothing:**

- a. Ensure that you have your water source hooked up to the water inlet side (far right connection) and the shower handle is hooked up on the water outlet side (far right connection)
- b. Ensure that you have an adequate supply of propane
- c. Ensure that you have fresh batteries

If you are still having troubles or are on a modified water system, please call technical support at **866.356.1992**

## Other Products:

L5: The L5 is the smaller sister unit of the L10. This top vented outdoor unit delivers up to 1.4 GPM and temperatures up to 150 degrees F. An ideal choice for portable hot water applications.



40-H: Outdoor mount LP or NG whole house water heater. GAMA rated at 6.3 GPM, it is the ideal choice for a standard 3 bedroom, 2-2.5 bath home. Outdoor mount means no additional vent piping to purchase.



40-HI: Indoor mount LP or NG whole house water heater. The indoor version of the 40-H, it is an ideal choice for a standard 3 bedroom, 2-2.5 bath home. Indoor installation makes it a convenient choice for a retrofit on your old, inefficient storage tank heater.



- Visit us on the web [www.eccotemp.com](http://www.eccotemp.com)
- Call us (866) 356.1992
- Fax us at (843) 875.4230
- Email us at [info@eccotemp.com](mailto:info@eccotemp.com)

### EccoTemp Systems, LLC

315-A Industrial Road  
Summerville, SC 29483

Phone (866) 356.1992  
[www.eccotemp.com](http://www.eccotemp.com)  
[info@eccotemp.com](mailto:info@eccotemp.com)

de gaz avant l'allumage! S'assurer qu'il est correctement vissé jusqu'au bout.

15. Attachez le dispositif de la sortie d'eau sur la pose marquée « Sortie d'Eau ». Ne pas trop serrer! Si vous faites l'installation sur un système d'eau déjà existant, connectez la ligne d'eau chaude directement sur la pose 1/2" NPT.
16. Installer deux piles « D » dans le compartiment situé en bas à gauche du chauffe-eau. Vérifiez que les piles sont dans la bonne direction.
17. Utiliser l'attache du haut sur l'unité pour suspendre à partir d'une visse pouvant soutenir 30 livres. Placer à une hauteur confortable sans mettre de la pression sur le tuyau de gaz. Si l'unité est montée de façon permanente, utiliser les visse pour fixer l'attache du bas fermement.
18. Attacher le régulateur de gaz avec tuyau au réservoir de PL. Utiliser seulement de la pression manuelle sur le connecteur de plastique. LAISSER LA VALVE DU RÉSERVOIR DE GAZ DANS LA POSITION FERMÉE "OFF".

#### IMPORTANTES INFORMATIONS DE SÉCURITÉ. LIRE TOUTES LES INSTRUCTIONS AVANT D'UTILISER.

Assurez-vous de lire et de comprendre le Manuel d'Utilisation et d'Entretien avant de tenter d'installer et de faire fonctionner ce chauffe-eau. Il pourrait vous sauver argent et temps. Portez une attention particulière aux Instructions de Sécurité. Omettre de suivre ces avertissements pourrait entraîner des blessures sérieuses ou la mort. Si vous avez des problèmes à comprendre les instructions dans ce manuel, ou avez des questions, ARRÊTEZ, et allez chercher de l'aide auprès d'un technicien de service qualifié, ou les services de gaz locaux.

**DANGER!**  
INSTALLER ET VENTILER ADÉQUATEMENT LE CHAUFFE-EAU...

Omettre d'installer le chauffe-eau à l'extérieur comme souligné pourrait entraîner un fonctionnement non sécuritaire du chauffe-eau. Pour éviter les risques de feu, explosion, ou asphyxie du monoxyde de carbone, ne faites jamais fonctionner ce chauffe-eau sauf s'il est installé adéquatement et possède une source d'air approprié pour une utilisation convenable. Soyez certain d'inspecter le conduit terminal pour une installation adéquate au démarrage initial; au moins annuellement par la suite. Référez-vous à la section d'Entretien et Nettoyage de ce manuel pour plus d'information concernant l'inspection du conduit terminal.

**ATTENTION!**

L'essence, et autres liquides et matériaux inflammables (adhésifs, solvants, diluant à peinture, etc.) et les vapeurs qu'ils produisent sont extrêmement dangereux. NE PAS manipuler, utiliser ou entreposer de l'essence ou autres produits inflammables ou combustibles près ou dans les environs du chauffe-eau ou n'importe quel autre appareil. Soyez certain de lire et de suivre les étiquettes sur le chauffe-eau, ainsi que les avertissements imprimés sur ce manuel. Omettre de faire cela pourrait entraîner des dommages à votre propriété, blessures et mort.

**DANGER**

Les vapeurs provenant de liquides inflammables exploseront et prendront en feu causant la mort et brûlure sévères. Ne pas utiliser ou entreposer des produits inflammables comme de l'essence, solvants ou adhésifs dans la même pièce ou dans la zone près du chauffe-eau.

Gardez les produits inflammables :

1. loin du chauffe-eau,
2. dans des conteneurs approuvés,
3. fermé sécuritairement et
4. hors de la portée des enfants.

Le chauffe-eau à une flamme de brûleur principale.

La flamme du brûleur principal :

1. qui peut s'allumer à n'importe quel moment et
2. mettra en feu les vapeurs inflammables.

Vapeurs :

1. ne peuvent pas être vues
2. sont plus lourdes que l'air,
3. se déplace sur de longues distances sur le sol et
4. peuvent être transporté à partir d'autres pièces par des courants d'air

Installation :

Ne pas installer le chauffe-eau où des produits inflammables seront entreposés ou utilisés sauf si la flamme du brûleur principal est au moins 18 pouces (50 cm). Ceci réduira, mais n'éliminera pas les risques que les vapeurs soient mises en feu par la flamme principale du brûleur.

Lire et suivre les avertissements et instructions du chauffe-eau. Si le manuel de l'utilisateur est manquant, contacter le détaillant ou le fabricant.

DANGER!

## MODÈLES AU GAZ NATUREL ET PÉTROLE LIQUÉFIÉ

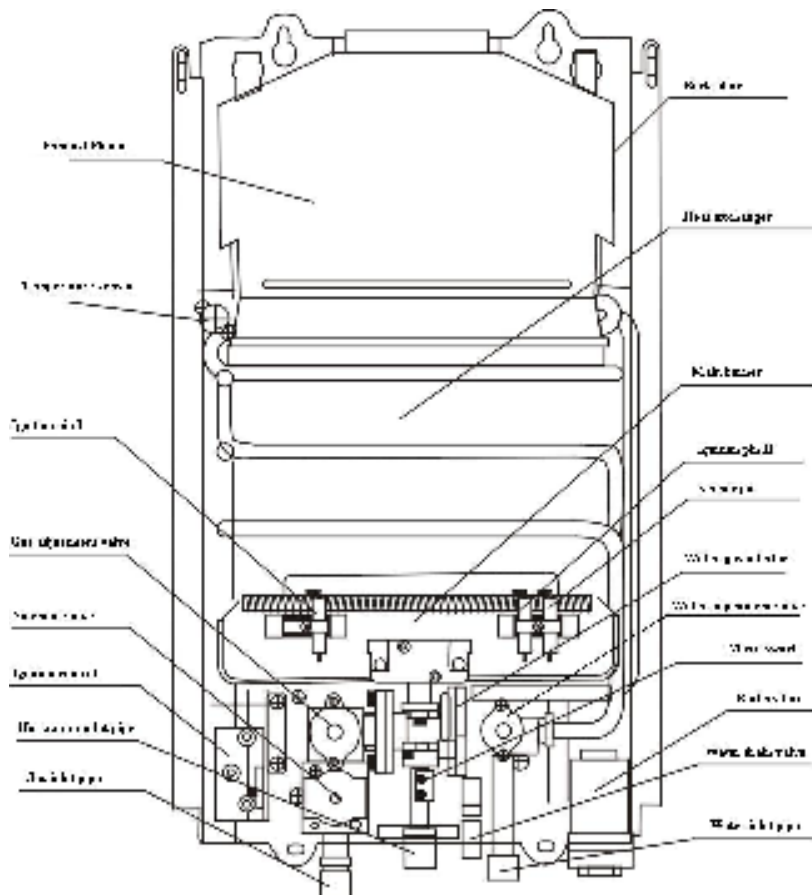
Le pétrole liquéfié et le gaz naturel possèdent tous deux une odeur ajoutée pour aider à la détection d'une fuite de gaz. Certaines personnes ne pourraient pas être en mesure de sentir ou reconnaître cette odeur. Si vous êtes incertains ou peu familiers avec l'odeur du pétrole ou du gaz, demandez au fournisseur de gaz. D'autres conditions comme "l'affaiblissement de l'odeur", qui fait en sorte que l'odeur diminue en intensité, peut aussi cacher ou camoufler une fuite de gaz.

- Les chauffe-eau utilisant des gaz de PL sont différents des modèles à gaz naturels. Un chauffe-eau au gaz naturel ne fonctionnera pas sécuritairement en utilisant du gaz de PL et vice versa
- Aucune tentative ne devrait être faite de convertir le chauffe-eau du gaz naturel ou gaz de PL. Pour éviter des dommages possibles à l'équipement, blessures personnelles, ou un feu, ne connectez pas le chauffe-eau dans un type de carburant non conforme à ses caractéristiques.
- Le gaz à PL doit être utilisé avec beaucoup de prudence. Il est plus lourd que l'air et s'accumulera en premier dans les zones les plus basses, le rendant plus difficile à détecter au niveau du nez.
- Avant de tenter d'allumer le chauffe-eau, assurez-vous de chercher et de sentir pour des fuites de gaz. Utilisez une solution savonneuse pour vérifier toutes les poses et connexions de gaz. La présence de bulles sur une connexion indique une fuite devant être corrigée. Lorsque vous sentez pour détecter une fuite de gaz, assurez-vous aussi de renifler près du sol.
- Les détecteurs de gaz sont recommandés dans un système au gaz naturel ou pétrole liquéfié et leur installation devrait être conforme aux recommandations du fabricant du détecteur et/ou aux lois locales, règles, réglementations et douanes.

## Démarrage

10. Vérifier la boîte pour tout dommage. Les dommages causés lors de l'expédition doivent être rapportés immédiatement.
11. Assurez-vous que vous avez toutes les parties :
  - a. Chauffe-eau
  - b. Régulateur et tuyau de gaz au LP
  - c. Capuchon de pluie
  - d. Adaptateur de 1/2"NPT en tuyau d'arrosage
  - e. Paquet de matériel/quincaillerie
12. Installer le capuchon de pluie sur le dessus du conduit d'aération. Le capuchon de pluie devrait tenir sécuritairement. Il est recommandé qu'une mince couche de scellant de haute température soit appliquée autour du périmètre du bouchon entre le capuchon de pluie et le conduit d'aération.
13. Si vous utilisez un tuyau d'arrosage standard, attachez l'adaptateur de 1/2"NPT en tuyau d'arrosage à la pose marqué « Entrée d'Eau ». Utilisez un ruban de « Teflon » ou autre méthode approuvée de scellage sur les fils pour un résultat serré et sécuritaire. Vérifiez pour vous assurer que l'écran à l'intérieur du tuyau d'eau est propre et en place. Attachez ensuite votre entrée d'eau/tuyau d'arrosage.
14. Installez les lignes d'alimentation et le régulateur de gaz à l'unité. **NE PAS TROP SERRER. TROP SERRER POURRAIT FAIRE CRAQUER LE RÉGULATEUR DE GAZ ET CAUSER UNE FUITE DE GAZ!** Vérifier pour une fuite

## Construction et Nom des Parties du Système de Conduits du L10



## AVERTISSEMENTS ADDITIONNELS

8. Ne pas laisser sans surveillance
9. Le gaz d'échappement et dessus de l'unité sont **CHAUDS!** Ne pas placer les mains ou autre objet sur le dessus du chauffe-eau.
10. Ne pas utiliser dans des conditions de vents forts.
11. Si une senteur de gaz est détectée, fermez la valve du réservoir immédiatement! Ne pas utiliser de flamme pour détecter la fuite.
12. Utiliser du Propane Liquide seulement
13. Utiliser à l'extérieur seulement
14. Ne pas trop resserrer la connexion régulatrice du gaz à l'unité avec une clé. Ceci pourrait causer une fissure dans le régulateur de gaz.

## Fonctions et Caractéristiques

### Utilité et Bénéfices du L-10

L'EccoTemp L-10 est un chauffe-eau propulsé par du propane liquide capable de fournir de 7.5 à 10 gallons (30 à 40 litres) d'eau chaude presque n'importe où. L'unité possède des installations standards de tuyau 1/2"NPT et un adaptateur standard de tuyau d'arrosage pour une entrée d'eau.

Le L-10 n'est pas un jouet. Des gens partout dans le monde utilisent des unités similaires pour chauffer l'eau de leurs maisons, de façon fiable et sécuritaire.

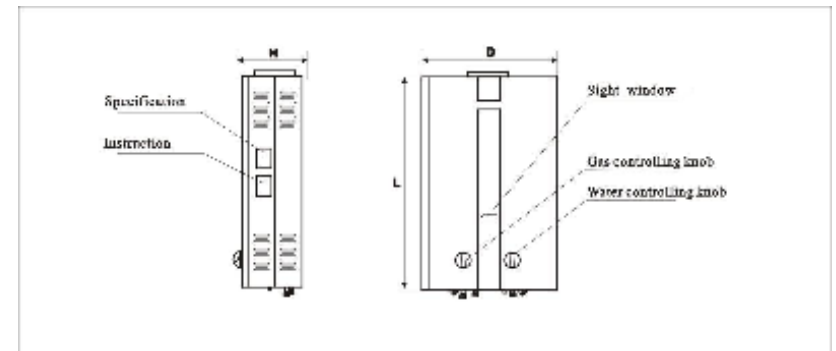
Le gaz est alimenté d'un cylindre de propane standard de 20 livres (non inclus) semblables à ceux utilisés pour les grils extérieurs. Un régulateur avec tuyau d'arrosage est fourni avec le chauffe-eau.

Vous pouvez aussi l'insérer dans la plomberie de lignes d'eau existantes et utiliser un régulateur de gaz LP à basse pression. Vérifiez les codes locaux pour une installation adéquate.

L'unité inclut un capuchon de pluie en acier inoxydable qui sert à aider la ventilation du conduit des gaz et à le protéger pour usage extérieur.

L'allumage est automatique et alimenté par 2 piles « D » (non incluses). Les brûleurs s'allument lorsque l'eau circule, et s'éteint lorsque l'eau est coupée. Pas de veilleuse!

- Allumage automatique contrôlé par l'eau : Une pression d'eau entre 20 et 80 livres par pouce carré ouvre le circuit d'allumage pour une opération simple et commode
- Protection Auto-Coupage : La protection auto-coupage coupera l'alimentation de gaz immédiatement dans un cas de « flame-out » pour réduire le risque d'une fuite de gaz. Une minuterie de coupage automatique est aussi présente pour cesser l'alimentation après 20 minutes d'usage continue
- Économies d'énergie : 85 %
- Valve de canalisation extractible pour éviter des dommages aux régulateurs et tuyaux d'eau causés par le gel de l'eau\*
- Protection de combustion Anti-Séchage : L'unité fermera l'alimentation de gaz dans le cas où l'eau arrêterait de circuler à travers l'unité



**\*Lisez la section d'entretien à propos du drainage de l'unité pour éviter tout problème relié au gel.**



b. Regardez dans les vitres (fenêtres horizontales au milieu du couvert du devant) pour voir s'il y a une flamme bleue. Si la flamme est jaune, il pourrait y avoir un régulateur de gaz fissuré. Ne Tentez Pas d'utiliser l'unité et appelez Eccotemp directement.

### **L'eau circule, mais il n'y pas d'eau chaude qui sort:**

a. Assurez-vous que l'alimentation d'eau entrante et l'alimentation d'eau sortante sont bien branchées. Votre alimentation d'eau devrait être attachée à votre connexion entrante (localisée complètement à droite) et la pomme de douche devrait être attachée à l'eau sortante (localisée sur la connexion du centre)

b. Assurez-vous que vous avez une pression d'eau adéquate soutenue d'au moins 20 LPP.

c. Assurez-vous que vous avez du gaz dans votre bouteille de propane et que le régulateur de PL est introduit jusqu'au bout sur l'unité.

d. Des piles fraîches sont nécessaires pour l'étincelle d'allumage. Assurez-vous que les piles sont alignées avec la bonne polarité (+/-).

Si vous rencontrez toujours des problèmes ou ne fonctionnez pas sur un système d'eau modifié, veuillez appeler le soutien technique au **866.356.1992**

### **L'unité ne fait rien :**

a. Assurez-vous que vous avez votre source d'eau branchée sur le côté de l'entrée d'eau (connexion complètement à droite) et que la pomme de douche est branchée sur le côté de la sortie d'eau (connexion complètement à droite)

Avant de vous rendre à la section UTILISATION :

vérifier aux alentours pour des éléments inflammables, particulièrement l'essence ou autres vapeurs pouvant prendre feu. L'échappement et le dessus de l'unité deviendront CHAUDS! Assurez-vous qu'il n'y a pas d'objets autour de l'unité et qui pourraient être tombés sur le dessus.

## **Utilisation et Démarrage**

- 11. Activez l'alimentation en eau. Assurez-vous que vous avez une pression d'eau adéquate entre 40-50 livres par pouce carré.**
- 12. Mettez l'appareil de sortie d'eau en position fermée « off ».**
- 13. Ouvrir la valve de gaz sur le cylindre jusqu'au bout.**
- 14. SI UNE ODEUR DE GAZ EST DÉTECTÉE, FERMEZ LA VALVE DE GAZ IMMÉDIATEMENT!!!!**
- 15. Régler le bouton du régulateur d'eau situé sur le devant de l'unité à son plus haut réglage.**
- 16. Régler le bouton de régulateur de gaz situé sur le devant à son réglage minimum.**
- 17. Activer l'appareil de sortie d'eau à sa position allumée « on » et ajuster au débit d'eau désiré.**
- 18. Il y aura une série de « cliques » audibles et le brûleur s'allumera. (Dans le cas où le brûleur ne s'allumerait pas**

après 5 secondes, fermez-le et rendez-vous à la section **Résolution des Problèmes**).

19. Après avoir terminé l'usage ou l'entreposage, ouvrir la valve de drainage (le tuyau cylindrique à côté de la valve d'entrée d'eau) pour assurer le drainage de l'eau.
20. **AVERTISSEMENT** : Si la température extérieure est autour ou sous la température de gel (32 degrés Fahrenheit, 0 degré Celsius), s'assurez que la valve de drainage est ouverte et que l'eau est drainée de l'unité après chaque usage pour éviter des dommages internes au régulateur d'eau. Vous aurez aussi besoin de détacher la ligne d'eau sortante pour vous assurer que toute l'eau de l'échangeur de chaleur est drainée. Un mauvais drainage de l'unité pourrait causer des dommages d'eau qui pourraient être réparables ou non. Veuillez vérifier les informations concernant la garantie que vous pourrez trouver sur notre site web au [www.eccotemp.com/freeze.htm](http://www.eccotemp.com/freeze.htm) ou vous trouverez plus de renseignements sur les problèmes reliés au gel.

remplissage. Faire un cycle d'allumage et d'arrêt en utilisant le bouton de la pomme de douche plusieurs fois (5) pour épurer l'air du gaz.

Si cela ne libère pas l'air, le réservoir devra être épuré.

d. Un des senseurs d'allumage est plié et/ou trop près du brûleur. Regarder pour s'assurer que les leviers d'allumage et que le senseur de chaleur sont complètement à la vertical et qu'ils forment un angle de 90 degrés à l'arrière du boîtier. S'ils ne sont pas droits (ex. un angle de 45 degrés) vous pouvez les redresser avec des pinces.

e. Le thermocouple est soit trop élevé ou trop bas pour compléter le « circuit ». Vérifier pour vous assurer que le thermocouple est juste avec le trou de l'échangeur de chaleur.

f. Le flanc du fil du senseur de gaz (ressemble à un câble noir sur le régulateur de gaz) peut s'être desserré et s'être déconnecté.

g. Il y a un senseur d'oxygène ou de chaleur défectueux. Ceci est habituellement diagnostiqué en enlevant le devant du boîtier de l'unité et en le laissant fonctionner. S'il continue de fonctionner, cela signifie qu'un des senseurs et/ou le harnais du fil a besoin d'être remplacé. Ceci peut aussi être causé par une libération insuffisante sur le derrière de l'unité où la majorité de l'entrée d'air se trouve.

h. La valve sur le réservoir de propane devrait être à « Open » jusqu'au bout.

i. Des piles fraîches sont nécessaires pour l'étincelle d'allumage. Assurez-vous que les piles sont alignées avec la bonne polarité (+/-).

#### **L'eau ne devient pas assez chaude :**

a. Vous faites fonctionner l'unité à plus de 6000 pieds (1800 mètres). Même s'il a été testé jusqu'à 7200 pieds (2000 mètres), nous recommandons de seulement l'utiliser sur des élévations de moins de 5500 à 6000 pieds. (environ 1800 mètres).

**NOTE : Avant de tenter d'enlever le couvercle, appelez le soutien technique au 866.356.1992**

e. Un fils a été déconnecté à l'intérieur de l'unité durant l'expédition. Assurez-vous que le gaz est fermé à OFF. Le couvert du devant est tenu par six vis, quatre sur le dessus et deux sur le bas. Les boutons s'enlèvent. Tout le câblage est fait avec des connecteurs de plastiques se poussant ensemble. Ils sont tous visibles sans avoir à démonter l'unité. Il devrait être évident lorsqu'un fil se déconnecte.

f. Il est possible que des saletés ou de l'époxy se soient infiltrés dans le régulateur d'eau. Vérifiez pour voir si le filtre sur l'entrée d'eau est bien libre de déchets. Vous pouvez aussi renverser la connexion électrique et faire le branchement sur le côté de l'échappement d'eau et procéder au nettoyage du système.

g. Les cylindres de gaz propane sont parfois contaminés par l'air, spécialement les nouveaux réservoirs lors de leur premier remplissage. Faire un cycle d'allumage et d'arrêt en utilisant le bouton de la pomme de douche plusieurs fois (5) pour épurer l'air du gaz.

**Si une unité n'est pas en mesure de s'allumer et ou de rester allumée après 10 cycles. Appelez le soutien technique au 808.217.3123 ou au 866.356.1992.**

**L'unité s'allume, puis s'éteint immédiatement :**

a. L'unité nécessite un minimum d'environ 0.5 gallon par minute (2 litres) et un minimum d'environ 25 LPP\* Notez que la pression d'eau est au bas des paramètres d'opération. Vous aurez besoin d'une pression d'eau soutenue d'approximativement 40-60 LPP pour un usage adéquat si vous utilisez une pompe de 12/18/120 volts. Voir AJUSTEMENTS dans la section précédente située ci-dessus.

b. Forts Vents

c. Les cylindres de gaz propane sont parfois contaminés par l'air, spécialement les nouveaux réservoirs lors de leur premier

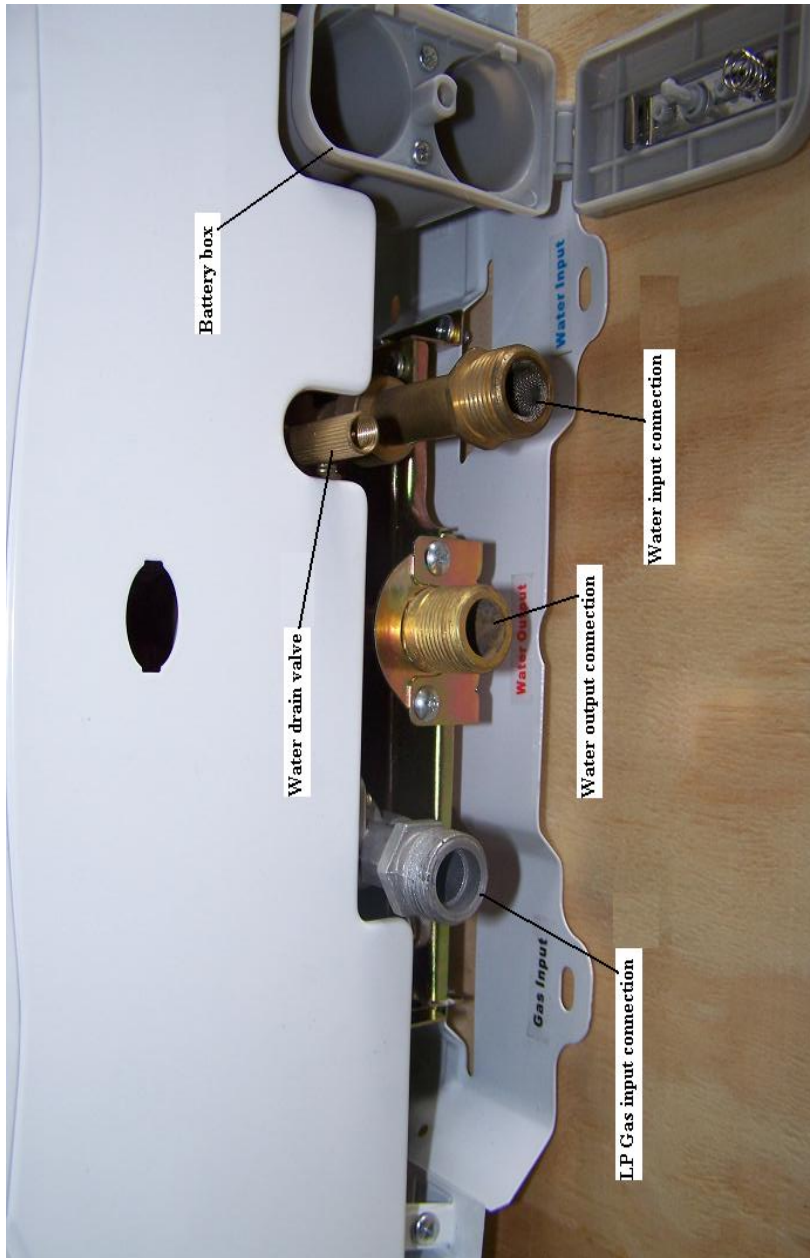
## AJUSTEMENTS

La température de l'eau sortante est indépendante de la température de l'eau entrante balancée avec la quantité de chaleur appliquée. Soyez extrêmement prudent en réglant la température de l'eau d'échappement.

4. **En réglant le régulateur d'eau à « high », et le régulateur d'eau à « low », ressentez l'eau sortante. Ceci est le plus bas réglage disponible.**
5. **Initialement, pour monter la température sortante, tourner lentement la valve de gaz vers le maximum. Ajustez lentement et vérifiez la température souvent. Il y aura un léger délai entre l'augmentation de l'alimentation de gaz et l'augmentation de la température de l'eau.**
6. **Si la température de l'eau d'échappement a besoin d'être plus haute, réduire lentement le débit d'eau du régulateur jusqu'à obtention de la température désirée.**

### AVERTISSEMENT :

**L'UNITÉ PRODUIRA DES TEMPÉRATURES  
POUVANT CAUSER DES BRÛLURES!**



**NE PAS RETOURNER AU MAGASIN:** Appeler Eccotemp sans frais au 866.356.1992 ou via courriel au [info@eccotemp.com](mailto:info@eccotemp.com) si vous rencontrez un problème!

## RÉSOLUTION DES PROBLÈMES

### L'unité ne démarre pas - il n'y a pas de « clique » audible au démarrage :

- a. La première vérification à faire est de s'assurer que l'eau entrante est bien du côté « droit » de l'unité. Si les entrées et sorties sont inversées, l'unité ne fonctionnera pas. L'entrée est à droite et la sortie est au milieu.
- b. Vérifier les piles pour s'assurer qu'elles sont fraîches et qu'elles sont installées dans la bonne position.
- c. La raison numéro un pour laquelle l'unité ne s'allume pas est un manque de pression d'eau. Vous avez besoin d'un minimum de 20 livres par pouce carré constamment soutenu. L'eau municipale devrait fournir suffisamment de pression d'eau. La plupart des pompes 12/18/120 fonctionnent pourvu qu'elles soient capables de fournir une pression de 30 livres par pouce carré ou plus.

**AJUSTEMENTS :** En regardant par le bas vers le haut de l'unité, vous verrez deux « fentes » dans le boîtier où le devant et l'arrière se relient ensemble. Localisez le régulateur d'eau où vous verrez deux vis. Prenez la vis qui est le plus loin vers la droite (la plus grosse vis) en exécutant un tour environ 1/4 tour ou 1/2 tour. Ceci permettra à l'unité d'opérer sur une pression d'eau plus basse en rendant le débit plus restreint.

b. Assurez-vous que vous avez une alimentation adéquate en propane.

c. Assurez-vous que vous avez des piles fraîches.

Si vous rencontrez toujours des problèmes ou fonctionnez sur un système d'eau modifié, veuillez appeler le soutien technique au **866.356.1992**

## Autres Produits:

L5: Le L5 est la petite soeur du L10. Cette unité ventilée sur le dessus fournit jusqu'à 1.4 GPM (5 LPM) et des températures jusqu'à 150 degrés Fahrenheit (65 degrés Celsius) Un choix idéal pour les tâches d'eau chaude portables.



40-H: Chauffe-eau résidentiel à montage extérieur au PL ou GN. Côté par le GAMA comme 6.3 GPM (23 LPM), il s'agit du choix idéal pour une chambre standard 3 et salle de bain 2-2.5. Le montage extérieur signifie plus de tuyauterie de ventilation additionnelle à acheter.



40-HI: Chauffe-eau résidentiel à montage intérieur au PL ou GN. La version extérieure du 40-H, est un choix idéal pour une chambre standard 3 et salle de bain 2-2.5. L'installation intérieure en fait un choix pratique pour remettre à zéro votre vieux chauffe-eau à capacité inefficace.



- Visitez-nous sur le web [www.eccotemp.com](http://www.eccotemp.com)
- Appelez-nous (866) 356.1992
- Envoyez-nous un fax (843) 875.4230
- Envoyez-nous un courriel au [info@eccotemps.com](mailto:info@eccotemps.com)

### EccoTemp Systems, LLC

315-A Industrial Road  
Summerville, SC 29483

Téléphone (866) 356.1992  
[www.eccotemp.com](http://www.eccotemp.com)  
[info@eccotemp.com](mailto:info@eccotemp.com)