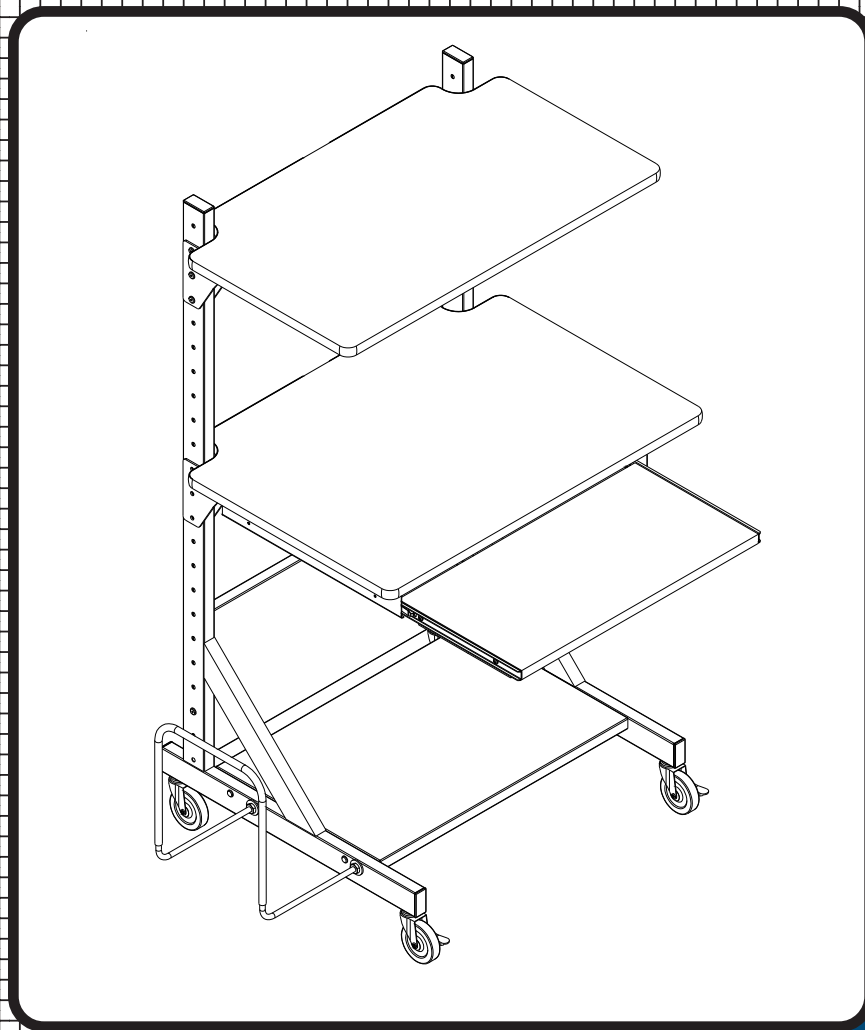
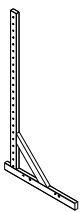
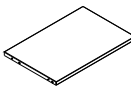

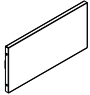

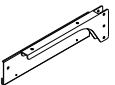

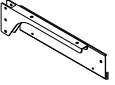
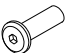


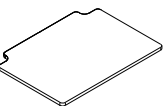

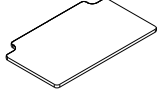



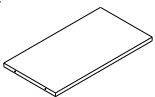

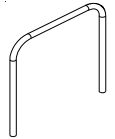
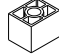
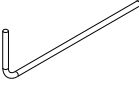



# #42551 ALEKTO-3

Adjustable Tri-Level Computer Workstation



## Assembly Instructions

Part	Drawing	Description	Qty	Part	Drawing	Description	Qty
P1		Leg	2 EA	<b>Hardware List</b>			
P2		Bottom Shelf	1 EA	A		Flat Head Screw	28 EA
P3		Stability Panel	1 EA	A2		Long Wood Screw	4 EA
P4		Right Top Support	1 EA	A3		Wood Screw	3 EA
P5		Left Top Support	1 EA	B		Interior Threaded Post	20 EA
P6		Shelf Support	2 EA	D		3" Locking Caster (for Front)	2 EA
P7		Top Panel	1 EA	E		3" Caster (for Back)	2 EA
P8		Shelf Panel	1 EA	F		Allen Wrench	1 EA
P9		Cable Tray	1 EA	G		Caster Wrench	1 EA
P10		Keyboard Shelf	1 EA	H		Flat Washer	4 EA
P11		CPU Sleeve	1 EA	J		Black Plastic Spacer	2 EA
P12		CPU Rod	2 EA	K		Hex Nut	4 EA

# Assembly Diagram

## To Assemble:

1. Identify and Separate all the Parts and Hardware.
2. Attach Bottom Shelf (P2) and Stability Panel (P3) to 2 Legs (P1) using 8 Flat Head Screws (A) and 8 Interior Threaded Posts (B) as shown in Illustration # 1.  
*(Do not tighten screws all the way)*
3. Attach Casters to 2 Legs (P1). 2 Locking casters (D) in the front and 2 Casters (E) in the back. Tighten Casters using Caster Wrench (G).

Illustration # 1

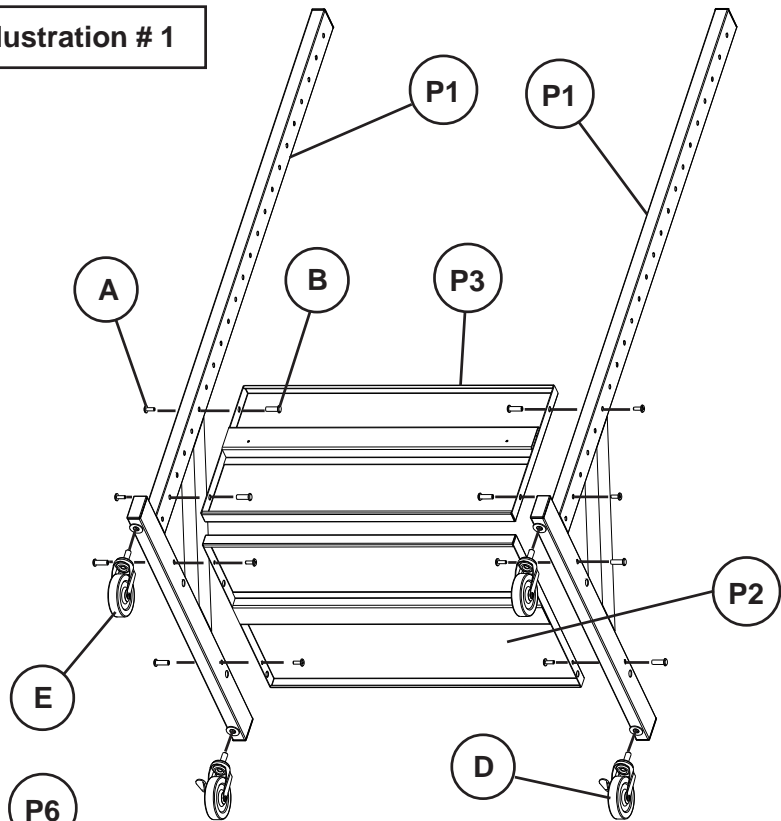
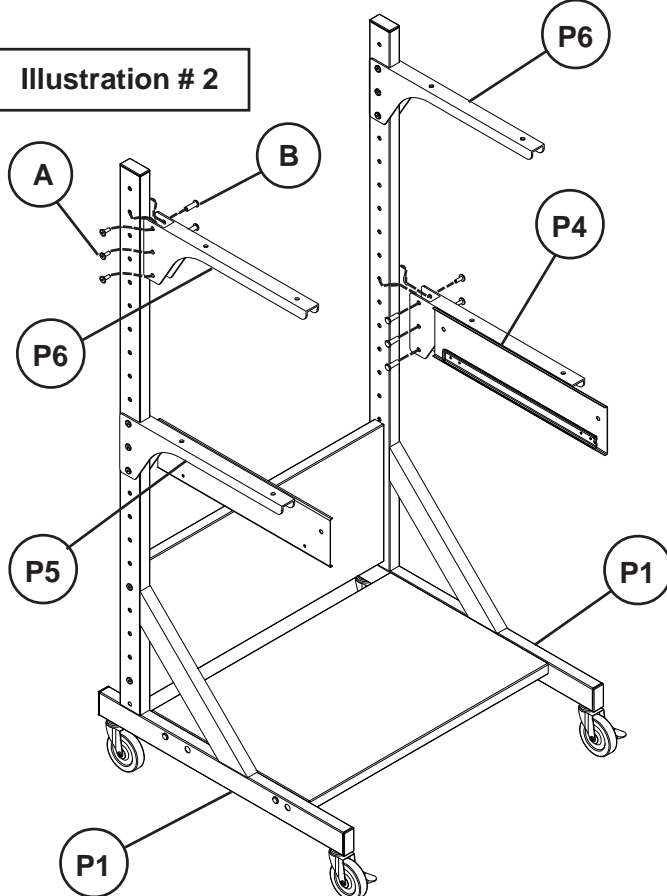


Illustration # 2



4. Attach 1 Right Top Support (P4) and Left Top Support (P5) to 2 Legs (P1) at desired location (see Options below) using 6 Flat Head screws (A) and 6 Interior Threaded Posts (B) as shown in illustration # 2.
5. Attach 2 Shelf Support (P6) to 2 Legs (P1) at desired location using 6 Flat Head screws (A) and 6 Interior Threaded Posts (B) as shown in illustration.

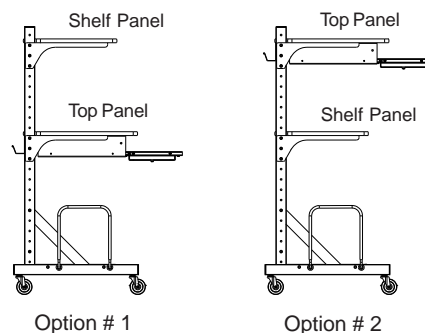


Illustration # 3

- Attach Top Panel (P7) to the Top Supports (P4 & P5), and Shelf Panel (P8) to the Shelf Supports (P6) using 8 Flat Head screws (A) as shown in Illustration # 3.
- Attach cable Tray (P9) to the Top Panel (P7) using 3 Wood Screws (A3).
- Extend Slides on Top Supports (P4 & P5) and attach Keyboard Shelf (P10) using four Screws (A2) as Shown in Illustration #4.

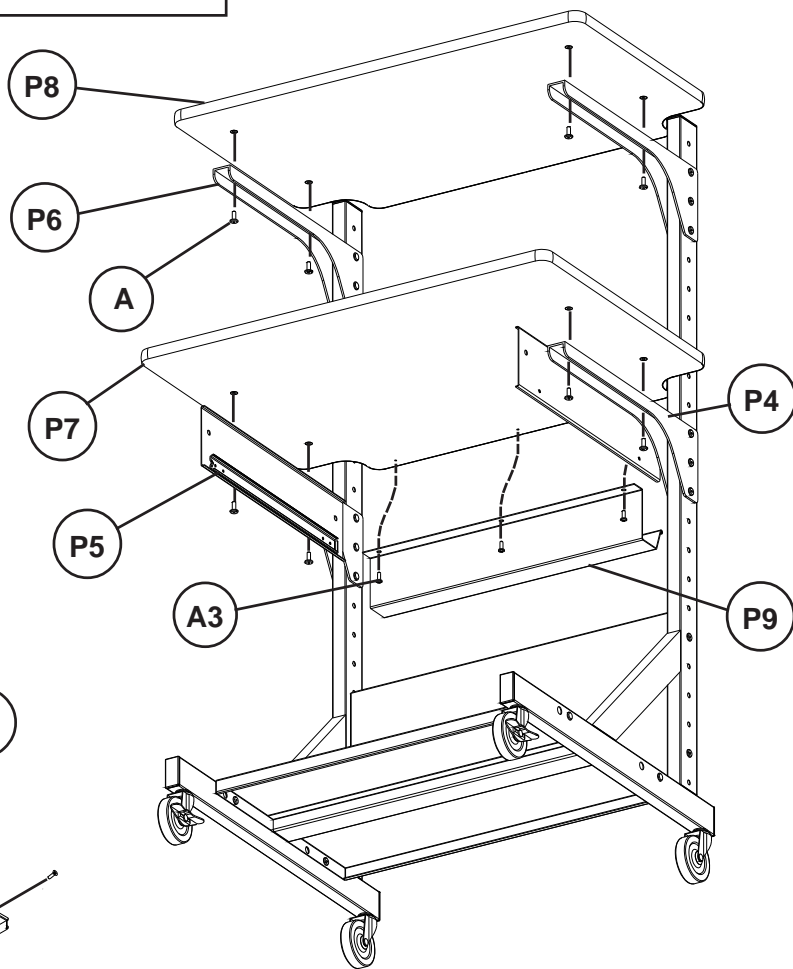


Illustration # 4

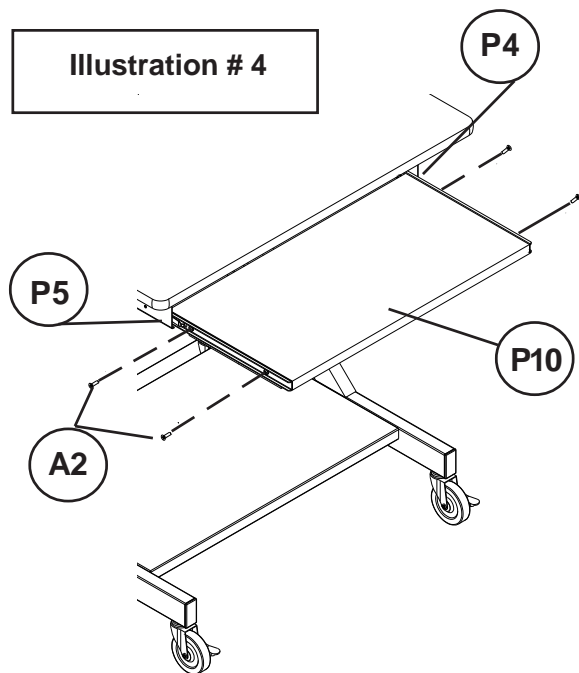
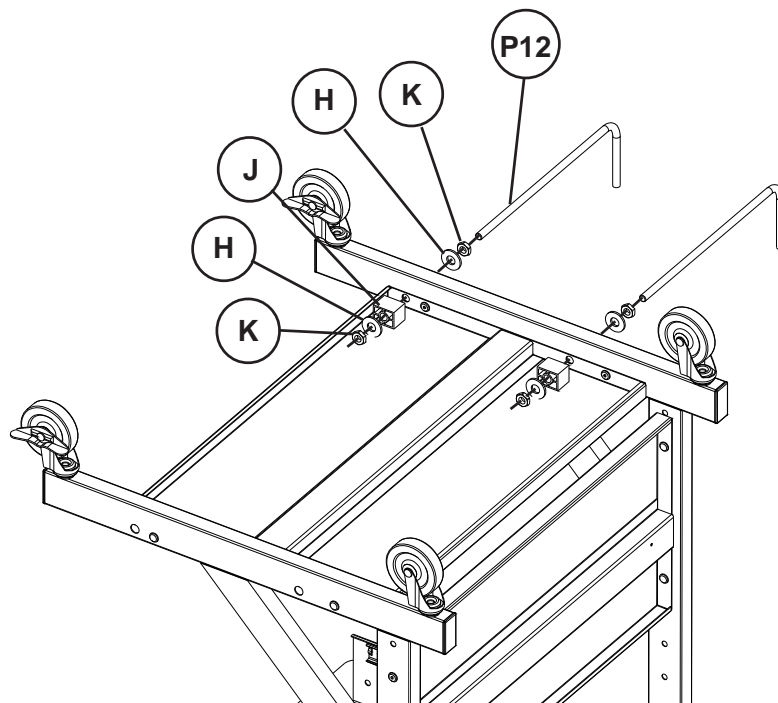


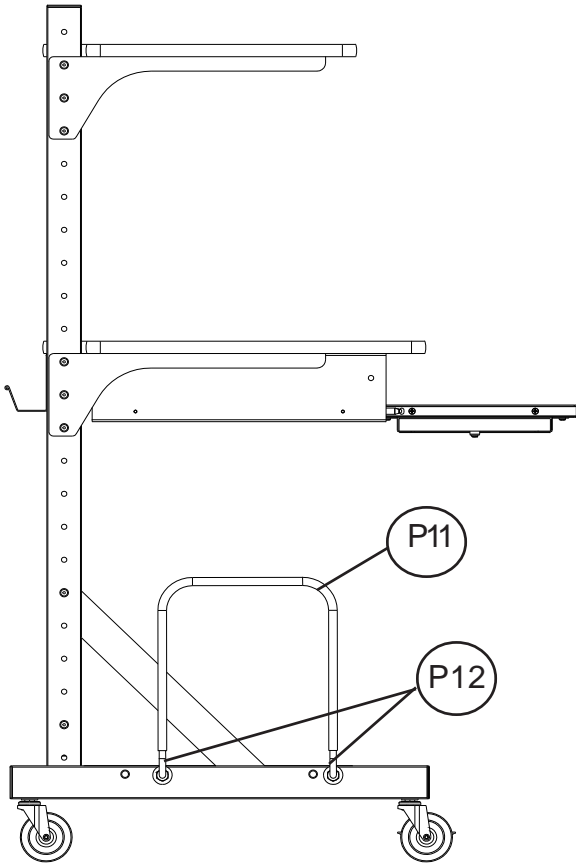
Illustration # 5

- Attach 2 CPU Rods (P12) to the Right Leg or Left Leg as shown in illustration #5.

Secure each Rod with 2 Hex Nuts (K), 2 Flat Washers (H), and 1 Black Plastic Spacer (J).



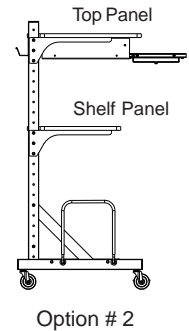
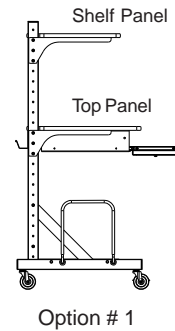
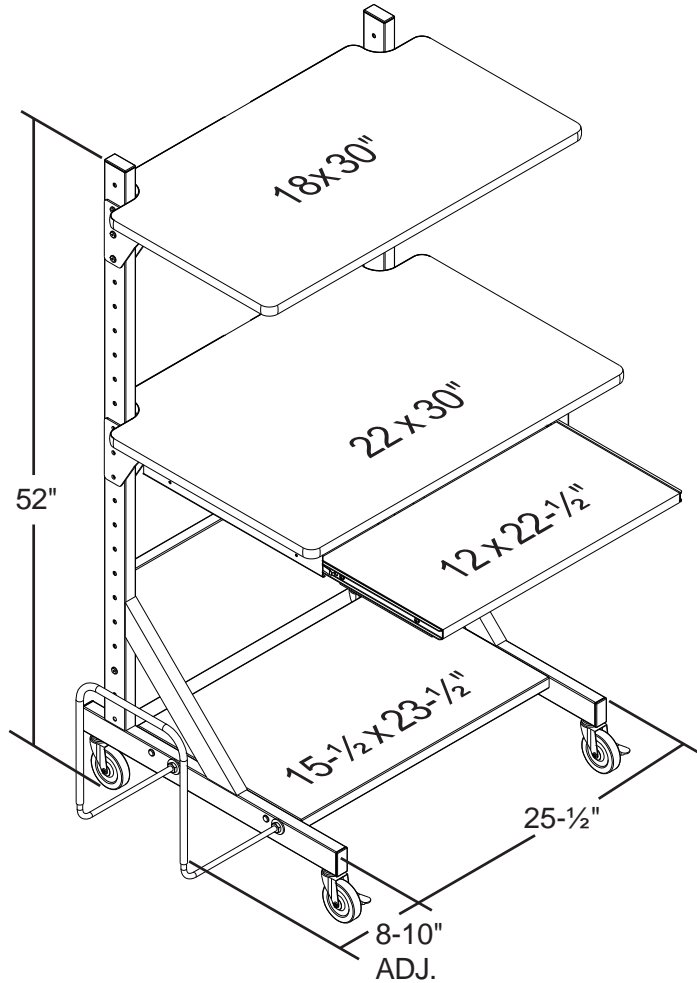
**Illustration # 6**



10. Slide CPU Sleeve P11 over ends of CPU Rods (P12) as shown in illustration # 6.
11. Tighten all screws securely.

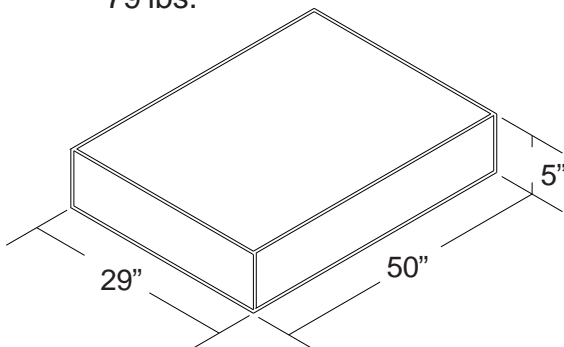
# #42551 ALEKTO-3

## Adjustable Tri-Level Computer Workstation



### Shipping Information

3.7 Cubic Feet  
79 lbs.



Height adjustable ranging from 23½" to 47½" for Keyboard shelf and 27½" to 51½" for Monitor Shelf.

Keyboard Shelf pulls out for individual user Comfort.

Includes CPU Holder and 3" Casters for mobility.

Available in vacuum formed Black Laminate w/Silver Frame.

Ships UPS.