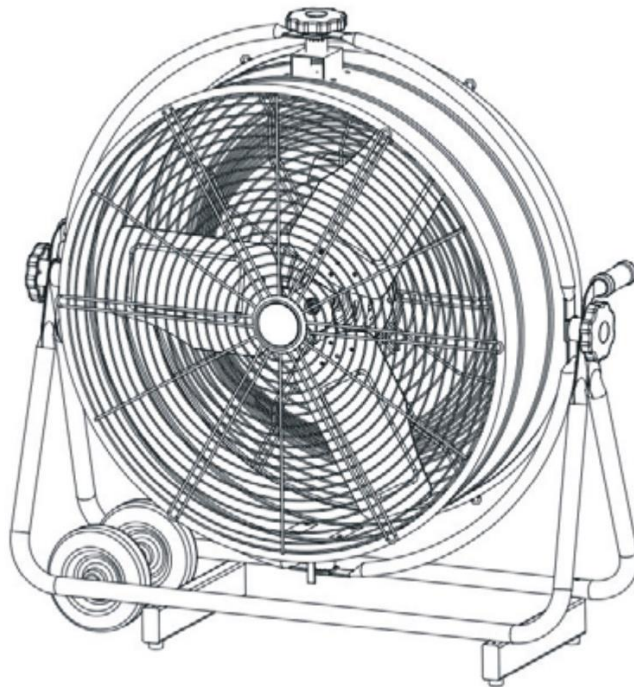


USER MANUAL

30" ORBIT DRUM FAN

MODEL NO.: SFDC-750CT00 (246607)

MODEL NO.	Blade Dia Size.	Vol/Hz	Current
			(A)
SFDC-750CT00 (246607)	750MM 30"	120V/60Hz	2.9



Please read and follow all instructions before use.

Safety Warnings

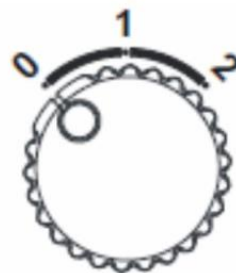
1. Please unplug the fan before moving it or carrying out any maintenance. Don't touch the fan when your hands are wet.
2. Those who are not qualified electricians should not disassemble, repair or rebuild the fan.
3. Please unplug the fan when it is not in use.
4. Please don't unplug the fan by holding the cable cord. Unplug by holding the plug.
5. Please don't use the fan when there is damage to the cable cord or plug.
6. Please don't use the fan with an extension cord.
7. Please don't use the fan close to fires.
8. Please don't insert your hand into the guard or the movable parts.
9. To reduce the risk of fire or electric shock, do not use this fan with any solid-state speed control device.

Care and Cleaning

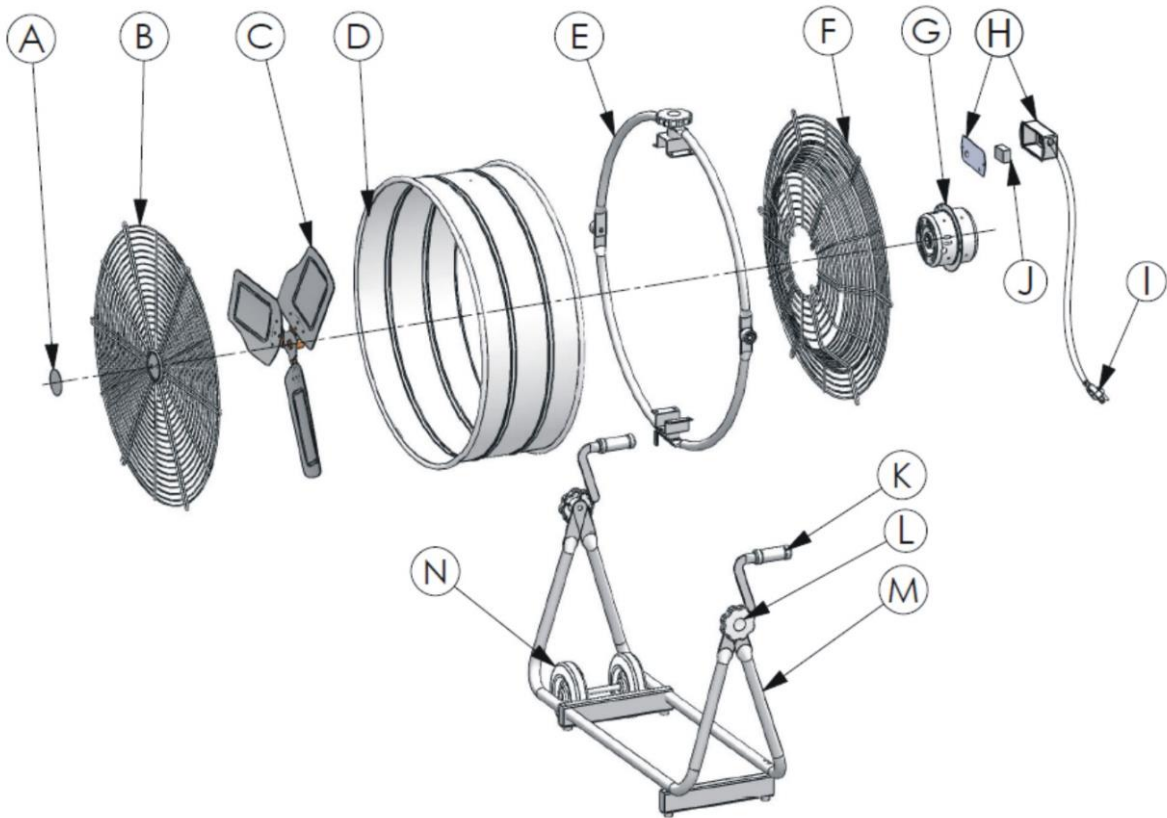
1. Please unplug the fan from the socket and clean it with a soft cloth.
2. Do not immerse the fan.
3. Please note if any damage on the fan blade.
4. Please fit the cover onto fan after maintenance and before using.

Operating Instructions

1. Adjust the desired speed by rotating the switch knob:
0 --- Stop 1 --- Low 2 --- High
2. Tilt and swing the fan head for multi-directional air flow.



Note: For longer parts life, after 10 hours of continuous operation, turn fall off for 15 minutes to allow motor to cool.



Part	Description	Quantity
A	Logo Plate	1
B	Front guard	1
C	Blade	1
D	Barrel	1
E	Orbit ring	1
F	Rear guard	1
G	Motor	1
H	Switch box	1
I	Power cord	1
J	Capacitor	1
K	Handle	2
L	Adjustable Screw	3
M	Base	1
N	Wheel	2