



www.globalindustrial.com

1-800-645-2986

BOLTLESS EXPANDABLE STORAGE RACK

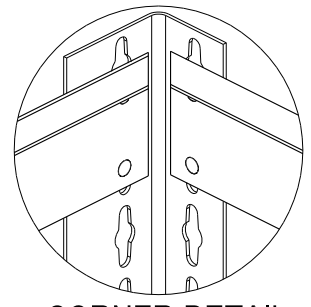
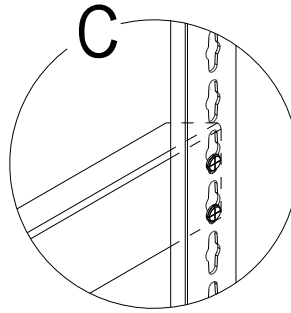
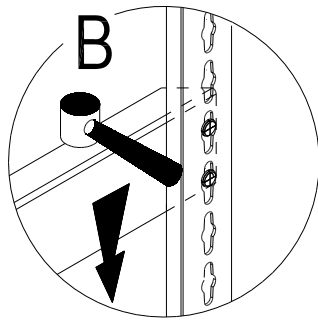
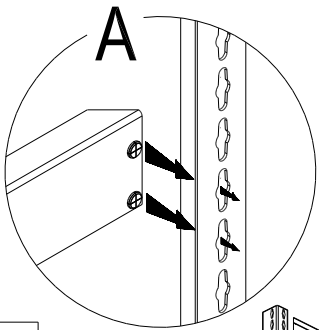
ASSEMBLY INSTRUCTION

WOOD DECK
SHELVING UNIT

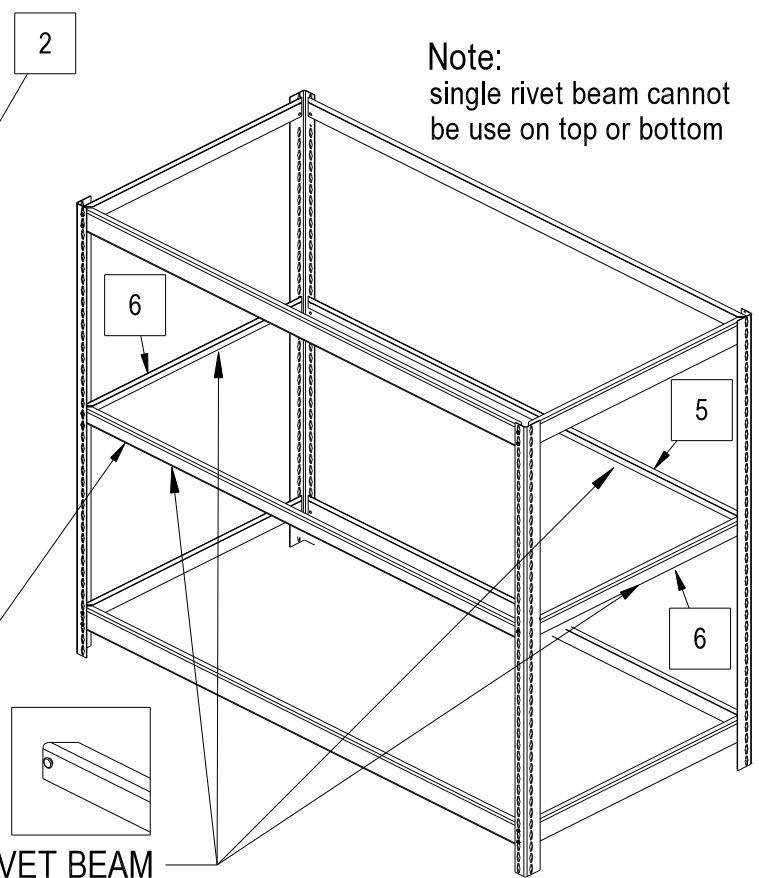
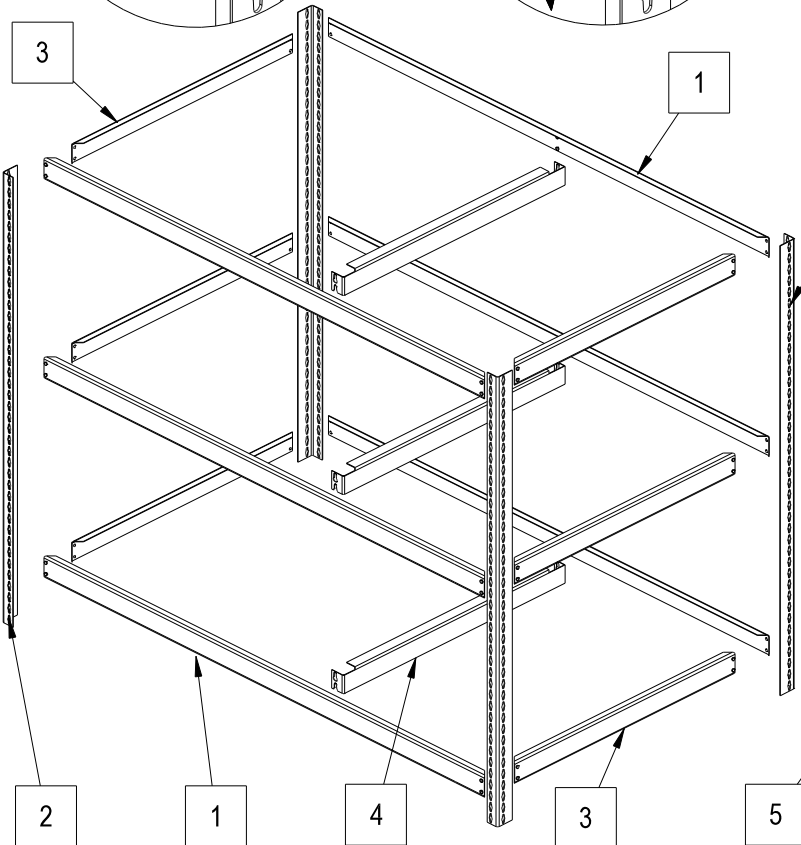
WIRE DECK
SHELVING UNIT

CONTENTS

REF.	DESCRIPTION	REF.	DESCRIPTION
1	DOUBLE RIVET BEAM (LONG)	5	SINGLE RIVET BEAM (LONG)
2	UPRIGHT	6	SINGLE RIVET BEAM (SHORT)
3	DOUBLE RIVET BEAM (SHORT)	7	T-POST
4	DECK SUPPORT		



CORNER DETAIL



Note:
single rivet beam cannot
be use on top or bottom

NOTE:
Only 60" , 72" and 96" wide double
rivet beam have deck supports.

SINGLE RIVET BEAM

ADD-ON UNIT

