

# Installation

## S19-465EFW

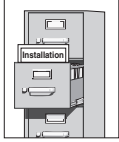
### Deck-Mounted Hand-Held Eye/Face Body Wash Drench Hose

#### Table of Contents

Pre-Installation Information . . . . .	2
Installation Instructions . . . . .	2
Components and Parts List . . . . .	3



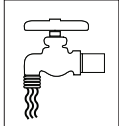
## IMPORTANT



Read this installation manual completely to ensure proper installation, then file it with the owner or maintenance department. Compliance and conformity to drain requirements and other local codes and ordinances is the responsibility of the installer.



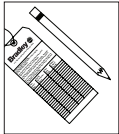
Separate parts from packaging and make sure all parts are accounted for before discarding any packaging material. If any parts are missing, do not begin installation until you obtain the missing parts.



Flush the water supply lines before beginning installation and after installation is complete. Test the unit for leaks and adequate water flow. Main water supply to the eyewash should be "ON" at all times. Provisions shall be made to prevent unauthorized shutoff.



The ANSI Z358.1 standard requires an uninterrupted supply of flushing fluid. Bradley plumbed emergency fixtures require a minimum of 30 PSI (0.21 MPa) flowing pressure. Flushing fluid should be tepid per ANSI Z358.1.



The inspection and testing results of this equipment should be recorded weekly to verify proper operation. This equipment should be inspected annually to ensure compliance with ANSI Z358.1.



Workers who may come in contact with potentially hazardous materials should be trained regarding the placement and proper operation of emergency equipment per ANSI Z358.1.

For questions regarding the operation or installation of this product, visit [www.bradleycorp.com](http://www.bradleycorp.com) or call 800.BRADLEY (800.272.3539).



Product warranties and service parts information may also be found under "Products" on our web site at [bradleycorp.com](http://bradleycorp.com).

## Installation

**NOTICE!** Avoid cleaners containing organic solvents, alcohols, and hydrocarbons.  
Rinse with water after cleaning.

### Supplies Required:

- Teflon tape and/or pipe sealant
- ½" NPT water supply inlet (30–90 psi)
- Sign-mounting hardware
- Backflow prevention device as required by UPC, IPC and/or local plumbing codes



*Make sure that, when mounted, the unit will measure 33"–45" from the top of the sprayheads to the finished floor per ANSI Z358.1.*

### Step 1: Install the drench hose

1. Rough in ½" NPT supply piping (by installer) from the wall where the drench hose is desired.
2. Select desired location in deck for drench hose and drill a 15/16" (34mm) diameter hole.
3. Install the mounting collar, O-ring and locknut provided.

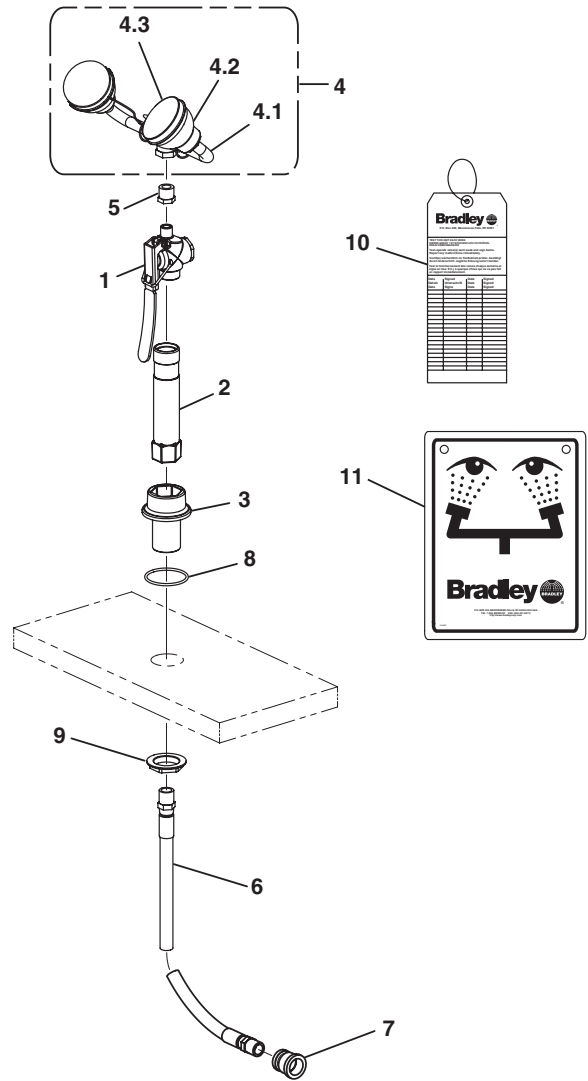
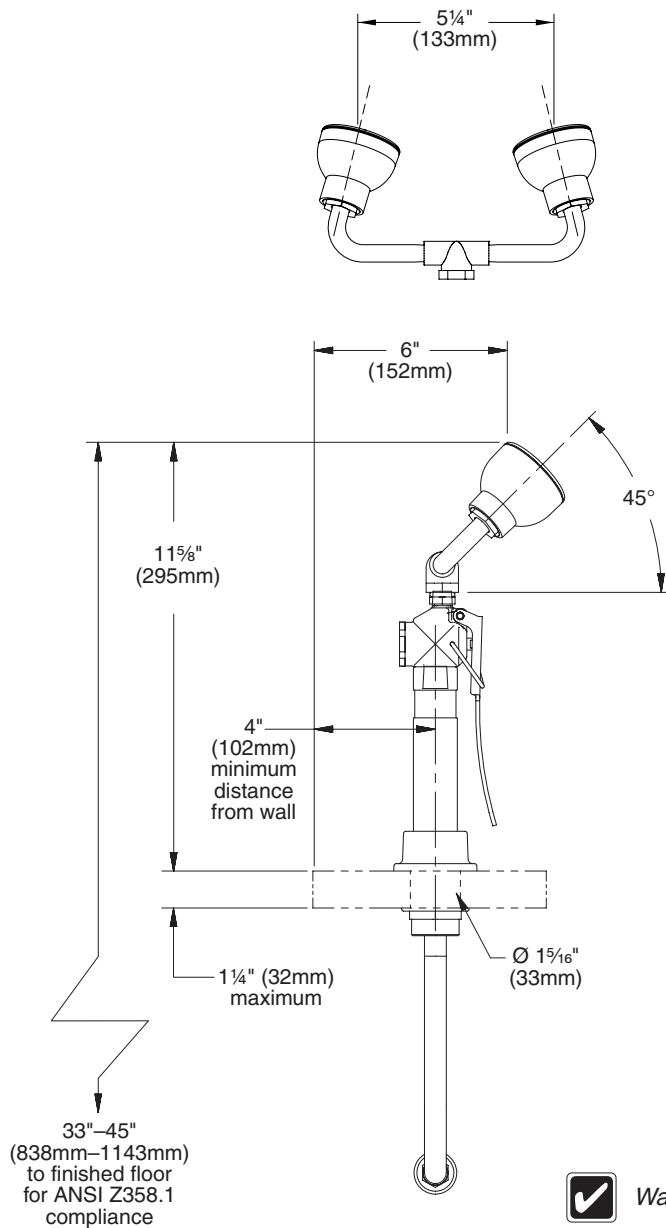
### Step 2: Connect water supply



*Apply pipe sealant (supplied by installer) to all male threaded pipe joints.*

1. Connect one end of the drench hose to the ½" NPT water supply.
2. Insert the hose through the mounting collar assembly. Slide the handle over the hose (above the deck).
3. Install the valve body onto the other end of the hose. Thread the handle onto the valve body.
4. Open the water supply lines. Test for leaks and adequate water flow.
5. Mount the safety sign to the wall using the sign-mounting hardware supplied by installer.

# Assembly of Components and Parts List



Water flow rate: 3.9–5.9 gallons (14.8–22.3 liters) per minute.

Item	Part No.	Qty.	Description
1	S27-332	1	Valve, Hose Spray
2	128-182	1	Handle, Drench Hose
3	150-225	1	Mounting Collar
4	S05-148	1	Angled EFW Assembly
4.1	S05-147	1	EFW Yoke
4.2	S45-2453	1	Service Kit EFW - Black Sprayheads
4.3	S53-063	2	Dust Cover

Item	Part No.	Qty.	Description
5	169-215A	1	Reducer 3/8" NPT x 1/4" NPT
6	S89-002	1	3/8" Yellow Tube
7	169-059	1	Reducing Coupling
8	125-107	1	O-Ring
9	161-161	1	Flange Nut
10	114-051	1	Safety Sign
11	204-421	1	Emergency Inspection Tag