

# ELKAY®

## SPECIFICATIONS

### EZH2O® In Wall Bottle Filling Station Retro-fit Model for SwirlFlo® Refrigerated Fountain Model EZWS-ERP8-RF

**RATED FOR INDOOR USE ONLY**

#### **PRODUCT SPECIFICATION**

In-wall EZWS-ERP8-RF Retro-fit system will update existing refrigerated Bi-Level SwirlFlo® installations with an integrated Bottle Filler system. Units shall be stainless steel construction with plastic ABS alcove. Sensor activation with an auto 20-second shut-off timer. Shall include GreenTicker™ displaying count of plastic bottles saved from waste. Bottle filler shall provide 1.1 gpm flow rate with laminar flow to minimize splashing. Shall include integrated silver ion anti-microbial protection in key areas. Bottle filler meets ADA guidelines for reach range; fountain meets ADA guidelines for wheelchair access. Unit shall be lead-free design which is certified to NSF/ANSI 61 and 372 and meets Federal and State low-lead requirements. Unit shall be certified to UL399 and CAN/CSA 22.2 No. 120.

#### **STANDARD FEATURES**

##### Bottle Filler

- No-touch, sensor-activated operation.
- Auto 20-second shut-off.
- Integrated Silver Ion Anti-microbial Protection in key areas.
- Quick Fill Rate: 1.1 gpm.
- Laminar Flow provides minimal splash.
- Real Drain System eliminates standing water.
- Visual User Interface display includes:
  - Innovative Green Ticker™ counts bottles saved from waste.

#### **FOUNTAINS / COOLING SYSTEM**

One fountain, one mounting frame (for lower fountain installation) and the cooling system are reused from the current existing installation.

#### **CAPACITIES CHART**

Model	Voltage / Hertz	Chilling Capacity	F.L. Amps	Rated Watts	Approx. Ship Weight.
EZWS-ERP8-RF	115V / 60Hz	Based on Existing Cooler Rating	1.0	15	50

The above ratings apply only to the EZWS-ERP8-RF unit. Ratings for cooler not included.

Model  
EZWS-ERP8-RF



#### **CONSTRUCTION**

- Stainless steel bottle filler construction with ABS plastic alcove.
- Includes ventilating louvered grille with fountain.
- Furnished with open wall frame mounting box constructed of galvanized steel.

**Each EZWS-ERP8-RF is shipped in one carton containing:**

- Upper panel with installed bottle filler
- Lower panel with ventilation louvers
- Mounting frame for bottle filler
- Misc. hardware

**Warranty:** Electrical components and water system are warranted for 12 months from date of installation or 18 months from factory shipment, whichever date falls first.

#### **CERTIFICATIONS / STANDARDS**

- ADA Compliant
- UL399 and CAN/CSA 22.2 No. 120 Certified
- ANSI/NSF 61 and 372 Certified
- GreenSpec® Listed



ETL CLASSIFIED



Intertek



C USA



www.GreenSpec.com

This specification describes an Elkay product with design, quality and functional benefits to the user. When making a comparison of other producer's offerings, be certain these features are not overlooked.

**EZH2O® In Wall Bottle Filling Station  
Retro-fit Model for  
SwirlFlo® Refrigerated Fountain  
Model EZWS-ERP8-RF**

**ELKAY®**

**ROUGH-IN**

Job Name: \_\_\_\_\_  
 Date: \_\_\_\_\_ Qty. \_\_\_\_\_  
 Contact Info (Name, Phone, Email): \_\_\_\_\_  
 \_\_\_\_\_  
 Approval: \_\_\_\_\_

**IMPORTANT!**

*\*Rated for indoor use only*

EZWS-ERP8-RF Retro-fit is designed to fit on an existing SwirlFlo® refrigerated style fountain which is properly installed per the Spec Sheet rough-in information.

**ELECTRICAL**

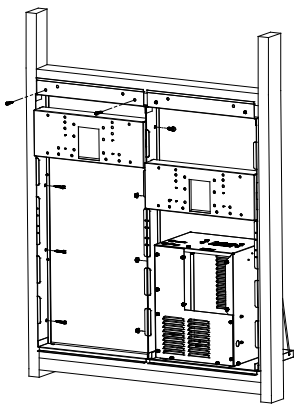
**EZWS-ERP8-RF** equipped with electrical cord and three-prong molded rubber plug for use with 15-amp minimum receptacle. Rated at 115V/60Hz, single phase.

**INSTALLATION STEPS**

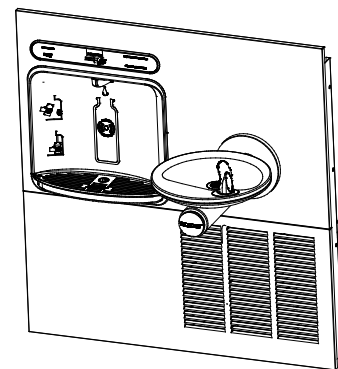
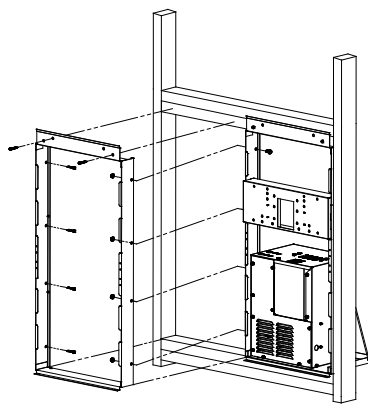
Disassemble current Bi-Level Refrigerated fountain installation

Remove left hand mounting frame, replace with new open frame (included)

Reassemble installation with new upper panel / Bottle Filler assembly, original fountain, original lower mounting frame, chiller shelf, chiller unit and new lower panel assembly



Typical current installation with fountain and panels removed



**BOTTLE FILLER / FOUNTAIN INSTALLATION AFTER RETRO-FIT CONVERSION**

