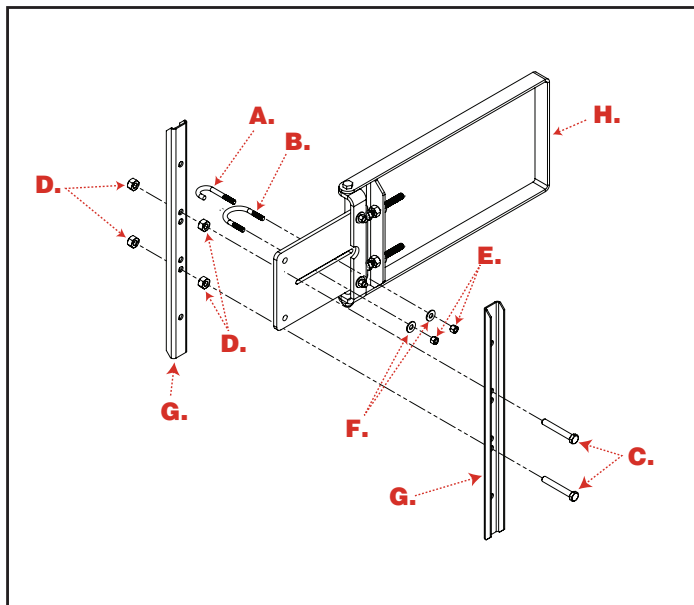


The FabEnCo A Series Self-Closing Safety Gate can be easily installed in minutes on all types of handrails (angle, flatbar, pipe) or to existing walls. It can be mounted left or right, on either side of a handrail. The Safety Gate's stainless steel spring automatically closes the gate after each passage and adjustment bolts provide positive stop without handrail contact.



Hardware

Parts	Quantity
A. U-Bolt*	1
B. J-Bolt*	1
C. 1/2" Zinc-Plated Bolts	2
D. 1/2" Zinc-Plated Heavy Hex Nuts	4
E. 3/8" Zinc-Plated Heavy Hex Nuts	2
F. 3/8" Zinc-Plated Washers	2
G. Channels	2
H. Mounting Plate/Frame Assembly	1
<i>(with 2 adjustable stop bolts)</i>	

**Use U-Bolt for installation on pipes and J-Bolt for installation on angles.*

Suggested Tools: Adjustable Wrench and Socket Set with 7/8" and 11/16" Sockets

Installation

Step 1: Insert the U-Bolt (or J-Bolt) through the slot in the Mounting Plate/Frame Assembly. Fasten to the handrail with the 3/8" Washers and 3/8" Nuts.

Step 2: Insert the 1/2" Bolts through the set of holes (at the desired level) on one Channel, then through the Mounting Plate/Frame Assembly. Fasten the 1/2" Nuts onto the 1/2" Bolts and tighten flush against the Mounting Plate/Frame Assembly to stabilize.

Step 3: Place the second Channel on the other side of the handrail and tighten with the remaining 1/2" Nuts.

For additional information or assistance, call 1-800-962-6111 or e-mail us at info@safetygate.com

For Mounting Tips in other languages, please visit our website at www.safetygate.com/product-literature