



Instructions for Beam Anchors



Warning!

THE USER OF THIS EQUIPMENT, AND THE USER'S EMPLOYER MUST READ AND COMPLY WITH THESE INSTRUCTIONS. FURTHERMORE, THE USER AND THE USER'S EMPLOYER MUST READ AND COMPLY WITH ALL INSTRUCTIONS, LABELS WARNINGS AND MARKINGS INCLUDED WITH EACH COMPONENT OF THE FALL ARREST SYSTEM OF WHICH THIS PRODUCT IS A PART. FAILURE TO UNDERSTAND AND COMPLY WITH THESE INSTRUCTIONS CAN RESULT IN SERIOUS INJURY OR DEATH.

IF THESE INSTRUCTIONS ARE UNCLEAR TO YOU, PLEASE CONSULT A COMPETENT PERSON. SHOULD THESE INSTRUCTIONS BECOME LOST OR DAMAGED, OR SHOULD ANY LABELS, INSTRUCTIONS OR MARKINGS BECOME ILLEGIBLE, PLEASE CONTACT FALLTECH FOR REPLACEMENTS. SHOULD YOU NEED FURTHER ASSISTANCE WITH UNDERSTANDING THE PROPER EMPLOYMENT OF THIS PRODUCT, PLEASE CONTACT FALLTECH FOR ASSISTANCE:

Alexander Andrew, Inc. (dba FallTech)
1306 South Alameda Street
Compton, CA 90221, USA
1-800-719-4619
1-323-752-0066
www.falltech.com

Table of Contents

Section 1: Warnings and Advisories

Section 2: Fall Protection Basics – ABCD's

- 2.1: Anchorage
- 2.2: Body wear
- 2.3: Connectors/Connecting devices
- 2.4: Deceleration devices
- 2.5: Fall Arrest
- 2.6: Fall Restraint
- 2.7: Work Positioning
- 2.8: Free-fall
- 2.9: Clear-fall
- 2.10: Swing-fall

Section 3: Use and Limitations

- 3.1: General Guidelines
- 3.2: Approved applications
- 3.3: Restricted Applications
- 3.4: Specialty Applications
- 3.5: Installation and Use – Ratcheting/Sliding Beam Anchors
- 3.6: Installation and Use – Detent-Pin Beam Anchors
- 3.7: Installation and Use – Fixed-Position Beam Anchors
- 3.8: Installation and Use – Vertical Beam Anchors
- 3.9: Installation and Use – Beam Trolley

Section 4: Product Selection

Section 5: Anchorage Considerations

Section 6: Employer and User Training

- 6.1: Special notes for the employer
- 6.2: User training

Section 7: Fall Protection Plan

- 7.1: The fall protection plan
- 7.2: Suspension trauma
- 7.3: Rescue plan

Section 8: Product Inspection

- 8.1: Issuing
- 8.2: Daily/Incidental use
- 8.3: Mandatory semi-annual inspection

Section 9: Maintenance and Storage

Section 10: Specifications

- 10.1: Mandatory disclosures
- 10.2: Performance specifications
- 10.3: Labels and markings
- 10.4: Standards and references

Product Listing

This instruction manual pertains to the use and operation of the products listed below. Should you have any questions about the product that you have purchased, please contact FallTech for additional details.

Ratcheting/Sliding Beam Anchors:

Model #	Description	Flange Width	Max. Flange Thickness
7411	Single-Ratcheting Beam Anchor, Stainless Steel	4" – 12"	1"
7490	Dual-Ratcheting Beam Anchor	3-1/2" – 13"	1-1/4"
7530	Dual-Ratcheting Beam Anchor	4" – 14"	1-1/4"
7531	Single-Ratcheting Beam Anchor	4" – 14"	1-1/4"

Detent-Pin Beam Anchors:

Model #	Description	Flange Width	Max. Flange Thickness
7485	Detent-Pin Beam Anchor, Small	3-1/2" – 12"	1-1/8"
7486	Detent-Pin Beam Anchor, Large	3-1/2" – 18"	1-1/8"

Fixed-Position Beam Anchors:

Model #	Description	Flange Width	Max. Flange Thickness
7487	Stationary Beam Anchor, Small	4" – 12"	1-1/8"
7488	Stationary Beam Anchor, Large	4" – 18"	1-1/8"
7533	Hex Bar Beam Anchor, Small	3-1/2" – 12"	1"
7534	Hex Bar Beam Anchor, Large	3-1/2" – 18"	1"
7471	J-Hook Beam Anchor	6" – 16"	1-1/2"

Vertical Beam Anchors:

Model #	Description	Flange Width	Max. Flange Thickness
7489	Vertical Beam Anchor	2-1/2" – 12"	1-1/2"
7535	Hex Bar Vertical Beam Anchor	4-1/2" – 12"	2"
7536	Hex Bar Vertical Beam Anchor	10" – 24"	2"

Beam Trolley:

Model #	Description	Flange Width	Max. Flange Thickness
7710	Overhead Beam Trolley	6" – 12"	1-1/2"

Section 1: Warnings and Advisories

This product is to be used as a part of a personal fall arrest system, and should be used only with compatible components. Please see Advisory #3 in this section for further details. Failure to use compatible components can result in a failure of the system to perform as intended, which may result in serious injury or death.

Throughout the OSHA regulations for safety and health, there are references to Competent Persons and Qualified Persons. ANSI Z359.0-2007 goes on to further define the roles and qualifications of these individuals; as well as Authorized Persons, and their importance in the workplace. These terms are also used in these instructions. Below is a brief description of the part these individuals play in the employment of fall protection equipment:

Authorized Person - a person who is exposed to fall hazards during the course of their work. This individual requires formal training in the use of personal fall protection equipment and systems. The term Authorized Person may be used interchangeably with User and End-User.

Competent Person – a trained and experienced person who is designated to supervise, implement and monitor an employer’s managed fall protection program. This individual is capable of identifying and addressing fall hazards and is authorized to make decisions and take corrective action in the workplace.

Qualified Person – a person possessing a degree or professional certificate and having extensive training, knowledge and experience with fall protection and who is capable of designing and specifying fall protection equipment and systems to address fall hazards.

Please read these instructions and be sure that you understand them prior to utilizing this equipment. Also be sure to read the instructions included with other components which are being utilized in your Personal Fall Arrest System (Harnesses, connectors, anchorage connectors, etc.). Failure to understand and comply with manufacturer’s instructions may result in serious injury or death. **IF YOU DO NOT UNDERSTAND ANY PART OF THESE INSTRUCTIONS, PLEASE HAVE THEM EXPLAINED TO YOU BY A COMPETENT PERSON.**

This product is to be used as part of a complete fall arrest system in accordance with industry-recognized best-practices and your employer’s fall protection plan, as required by the Occupational

Safety and Health Administration. Be aware of your employer's fall protection plan and rescue plan. Be aware of the specific fall hazards on your jobsite and work deliberately to avoid these hazards in the course of your work. Also be aware of hazards and obstructions in your fall path, and work with your employer to eliminate these hazards where possible. Failure to be aware of and to address these hazards may result in serious injury or death.

Do's and Don'ts

- **Do** use this device only with compatible components of a comprehensive fall arrest system.
- **Do** use this device only in a system which limits free fall distance to 6 ft or less.
- **Do** use extreme caution when rigging this device.
- **Do** rig this device to avoid the hazards of "swing fall" (see Section 2.9)
- **Do** use this device only when your clearance distance is a minimum of 2 ft AFTER you have calculated the total fall distance (see section 2.10 for details on clear fall distances).
- **Do** make compatible connections (see Advisory #3 at the end of this Section).
- **Do** call FallTech if the device is damaged, does not pass inspection (see Section 8), or has arrested a fall.

- **Don't** use this component to hoist materials or equipment.
- **Don't** use this device if it exhibits signs of corrosion or damage from exposure to chemicals, excessive heat, flames and electrical charge or shows signs of any physical damage or deformation.
- **Don't** use this equipment if there are signs of excessive wear, deterioration, deformation or corrosion.
- **Don't** use this equipment if you are working near high voltage power lines or other energized electrical equipment.
- **Don't** use near moving machinery which may entangle any component of the system.
- **Don't** use oil to lubricate moving parts. If lubrication is needed, first be sure to clean all moving parts thoroughly; then use only 100% silicone lubricant.
- **Don't** use this device if it will expose some element of your Personal Fall Arrest system (PFAS) to sharp or jagged edges.
- **Don't** use this device if you are pregnant, a minor, or have a reduced tolerance to fall forces by reason of age, physical medical condition, or other pre-existing disorders.

- **Don't use this device if you weigh less than 75 lbs.**
- **Don't use this device if your total combined weight (body, clothes, tools, etc) exceeds 425 lbs.**
- **Don't attempt to modify, repair or alter this device in any way.**
- **Don't use this equipment if it has been used to arrest a fall. If it has been used to arrest a fall, this device must immediately be removed from service and replaced.**

Advisory #1: Further Reading

If you have access to the internet, please go to www.osha.gov. This website is an exceptional resource, and has a great deal of information which is easy to access. Use the search field to find information on fall arrest, including standards, news, interpretations and other valuable tools. The more you know about how this product works and how it is supposed to be used, the safer you will be during the course of your work.

Advisory #2: Proper product selection

Product selection is an important element of fall protection. Fall Arrest products are like any other tools that you may use in the course of your work – there is a proper tool for every application. You may find that while this product is suitable for some applications, it may not be suitable for others. Please be sure to pay close attention to sections 2, 3, and 4, for greater detail on this point.

Advisory #3: Connector Compatibility

Making compatible connections may mean the difference between life and death. Connectors (snap hooks, rebar hooks and carabiners), must be of the locking type and require two distinct actions to open the gate. Your connectors must be sized and shaped so that the rings or structural members to which they are attached will not pose a risk of forcing the gate open, and must fully captivate the connector so that it cannot become disengaged, slide or shift during use or in the event of a fall.

Certain connections are forbidden and should never be attempted with this product or any other unless there is a specific allowance in the manufacturer's instructions. Forbidden connections include, but are not limited to:

- **Two or more connectors to one d-ring are a forbidden connection.**
- **A connection that rests on or loads the gate is a forbidden connection.**
- **A connection that does not allow the gate to close and lock is a forbidden connection.**
- **Two or more connectors attached to one another are a forbidden connection.**
- **Connecting directly to webbing, rope, cable (wire rope) is a forbidden connection.**
- **Connecting directly to a horizontal lifeline is a forbidden connection.**
- **Tie-back with your *FallTech SAL* is a forbidden connection except for model # 7241, 7241Y, 8241 and 8241Y in the *WrapTech* series.**
- **Connecting to any ring or structure that does not fully captivate and completely restrict the movement your connector is a forbidden connection.**

Section 2: ABCD's

Every Personal Fall Arrest System consists of four basic elements – Anchorage, Body-wear, Connectors/Connecting Devices and Deceleration Devices. Each of these four elements is discussed in greater detail below. If, after reading though this section, you do not fully understand these items and how they work together to form a compatible fall arrest system, please be sure to have this explained to you by a Competent Person.

It is absolutely critical that you be familiar with the proper wear and/or use of each component of your Personal Fall Arrest System (PFAS). Failure to read, understand and adhere to instructional materials and warnings provided with each of these components could lead to a catastrophic failure of your PFAS, resulting in serious injury or death.

2.1: Anchorage

The selection of an anchor point and anchorage connector is critical to the successful function of any Personal Fall Arrest System (PFAS). OSHA 1926.502 (d) (15) states that:

“Anchorages used for attachment of personal fall arrest equipment shall be independent of any anchorage being used to support or suspend platforms and capable of supporting at least 5,000 pounds (22.2 kN) per employee attached, or shall be designed, installed, and used as follows:

as part of a complete personal fall arrest system which maintains a safety factor of at least two; and under the supervision of a qualified person.”

Ensure that the structure to which you are attaching your anchorage connector is capable of meeting the above requirements and that your anchorage connector is installed in accordance with the manufacturer's instructions. Also be sure to check that the anchorage connector is compatible with your connecting device (lanyard, SRL, vertical lifeline) and that it securely retains the connecting device without inhibiting its function. If you are unable to determine whether your connecting device and your anchorage are compatible, please immediately consult with a competent person or your immediate supervisor. For more details on anchorages, please see section 5 of this instruction manual.

2.2: Body-wear

Body wear for any application where this Beam Anchor is to be used will be defined as a full body harness specifically manufactured for fall arrest. If being used for restraint applications where the user is restricted from reaching a fall hazard, a body belt may be used as an alternative. Be sure to read and follow the manufacturer's instructions included with your full body harness or restraint belt at the time of purchase.

2.3: Connectors/Connecting Devices

Connectors and Connecting Devices are terms that are sometimes used interchangeably. It is important to note the differences between these two terms in order to help distinguish the parts that these components play in the rigging of your PFAS. In both cases, these products/components are required to have a minimum static strength of 5,000 lbs. For additional details on requirements for connectors and connecting devices, see OSHA 1926.502 at www.osha.gov as referenced in section 1, advisory #1.

A **connector** is any metallic, mechanical element such as a carabiner, snap hook or rebar hook that physically links one or more elements of a your PFAS together in a manner such that they will remain engaged to one another unless they are intentionally disengaged.

A **connecting device** is an element that connects your full body harness to the anchorage in an effort to ensure that you remain attached or tethered to the structure upon which you are working. In other words,

the connecting device is that element which secures you to your anchorage.

2.4: Deceleration Devices

A **deceleration device** is the element of a Personal Fall Arrest System (PFAS) which is activated during a fall event and reduces the forces exerted on the user's body and on the anchorage during the arrest of the fall. In the case of Shock-Absorbing Lanyards and Self-Retracting Lifelines, these products are both a connecting device and a deceleration device as they will keep you attached to your anchorage and will reduce the forces on your body in the event of a fall.

2.5: Fall Arrest

Fall Arrest is an area of Fall Protection which focuses on stopping a fall once it has occurred. Personal Fall Arrest Systems typically consist of an anchorage, a full body harness and a self-retracting lifeline, shock-absorbing lanyard or other deceleration device designed to bring a falling user to a stop in the shortest possible distance while limiting the force imparted to the user's body.

2.6: Fall Restraint

Fall Restraint is an area of Fall Protection devoted to restraining the user of the system in a manner which restricts his or her access to the fall hazard in a manner such that they cannot be subjected to a fall. A typical Fall Restraint System consists of an anchorage, a full body harness or a restraint belt and a restraint lanyard. A Shock-Absorbing Lanyard or a Self-Retracting Lifeline should never be utilized in a restraint application as it they not capable of restricting a user's access to fall hazards.

2.7: Work Positioning

Work Positioning is an area of Fall Protection devoted to allowing a user to work on a vertical surface by means of a positioning assembly, and restricting the user's exposure to a fall of no more than two feet. Typical positioning assemblies consist of a large rebar hook and a length of chain, rope, wire rope or webbing with a double locking snap hook on either end. These snap hooks are attached to d-rings on the hips or on the waist of the user's full body harness, with the rebar hook attached to the structure upon which the user is working. An **SAL or an SRL** should never be used for work positioning, nor should they ever be attached to a side or hip d-ring on a full body harness. However, while rigged for work positioning, the user should **always** have an SAL or SRL

attached to the back d-ring of their full body harness and tied-off to the structure on which they are positioning as a back up device.

2.8: Free-Fall

Free-Fall is the distance that a worker will fall before the connecting device or deceleration device elements of the PFAS will begin to engage during a fall event. OSHA allows a maximum Free-Fall Distance of 6' (6 feet) when rigging a Personal Fall Arrest System (PFAS). In some cases, exceptions may be allowed when there is no practical way to limit the Free-Fall Distance to 6', such as a job-site where no overhead anchor-point is available. Tying off in a manner that would create a Free-Fall greater than 6' should always be a last resort. If you are rigging a system that allows more than 6' of Free-Fall, make sure your Connecting Device/Deceleration Device is rated for this application.

2.9: Clear-Fall

Clear-Fall or Clear-Fall Distance is the distance that is required to safely arrest the fall of a user. When working at heights and using a PFAS, it is important to consider the distance between the walking/working level and the next lower level to ensure that the components selected are capable of arresting the user's fall before they hit the next lower level. The required Clear-Fall Distance can easily be calculated by adding together the Free-Fall Distance, the Deceleration Distance, the height of the user plus a safety factor of 2 feet. The formula for calculating Clear-Fall Distance is shown below:

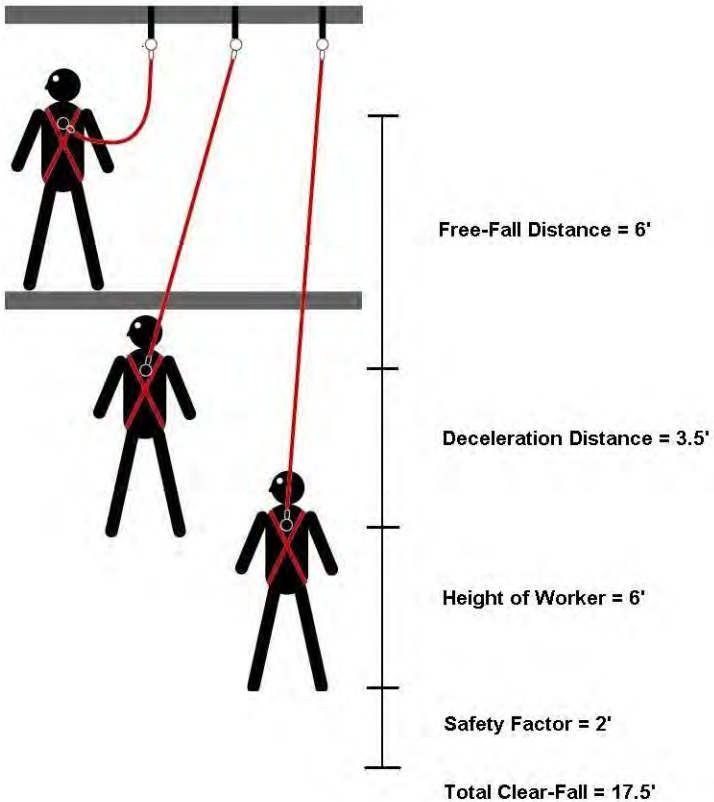
$$\text{Free-Fall Distance} + \text{Deceleration Distance} + \text{Height of Worker} + \text{Safety Factor} = \text{Clear-Fall Distance}$$

The matrix below can be used as a guide for calculating Clear-Fall Distance on your job-site:

	Example Values	Actual Values
Free-Fall Distance (OSHA allows up to 6')	6'	
Deceleration Distance (Typically 3.5' or less)	3.5'	
Height of Worker	6'	
Safety Factor (Minimum of 2')	2'	
Total (Sum of all values)	17.5'	

See figure 2.1 on the next page for a graphic illustration of Clear-Fall Distance and the method for calculating. It is also necessary to consider the fall path when determining the Clear-Fall limitations in your application. Ensure the fall path is clear of obstructions, protrusions, equipment or materials that may be a hazard in the event of a fall. Pay special attention to those items which may present an impalement hazard. Obstructions in the fall path may be just as hazardous as the fall itself, and your PFAS may not be able to protect you from these hazards. Failure to clear the fall path may result in serious injury or death. Rig your PFAS with extreme caution, and be aware of all of the factors that may come into play in the event of a fall.

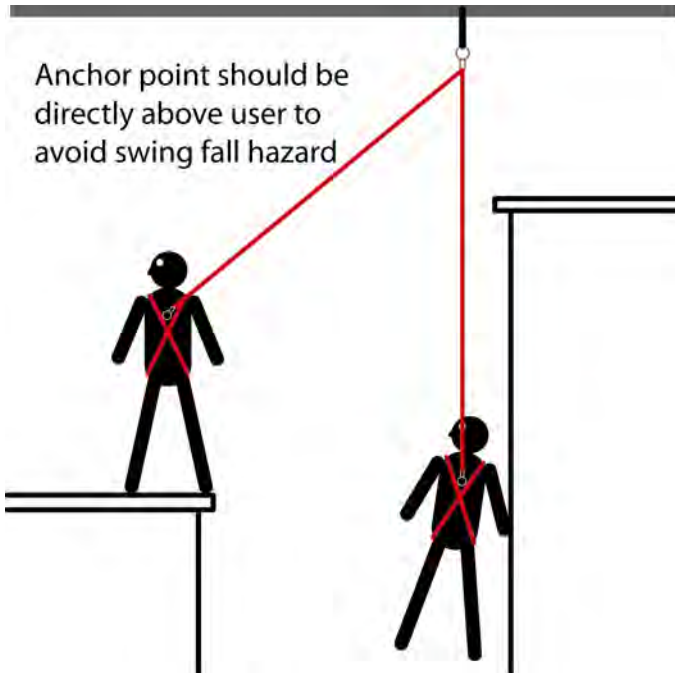
Figure 2.1: Clear-Fall Diagram



2.10: Swing-Fall

Swing-Fall is the phenomenon that occurs when the user falls from a location that is not directly adjacent to, or directly below the anchorage connector. This is also referred to as the “pendulum effect”, and can result in a situation where the user is not only falling vertically, but is also swinging on the horizontal as well. This can bring additional hazards into play, as you may swing into an obstruction or structural element, causing serious injuries (see figure 2.2). A significant Swing-Fall may also require increased Clear-Fall distance. As a rule of thumb, you should ensure work in an area that does not exceed an angle greater than 15 degrees in any direction from your anchorage.

Figure 2.2: Swing-Fall Diagram



Be sure to consider Swing-Fall when calculating your Clear-Fall requirements and checking the fall path for hazards and instructions. Failure to do so may result in serious injury or death. Should you have any questions regarding Free-Fall, Clear-Fall, Swing-Fall or other hazards in the fall path, be sure to contact *FallTech* or consult with a competent person or your direct supervisor on your job-site.

Section 3: Use and Limitations

This section deals with the general use and limitations of the **FallTech Beam Anchors**. Please read this section and all sections of this manual thoroughly. If your application is not addressed, or if you have questions regarding your specific needs, please contact *FallTech* immediately for additional guidance.

3.1: General Guidelines

When properly installed and utilized, this **FallTech Beam Anchor** will provide a safe anchorage for a single user (*the exceptions to this rule are the 7489 and 7535 Vertical Beam Anchors, which may be used as anchorage connectors for multiple users in conjunction with the FallTech PSR and Checkline Temporary HLL systems – see section 3.8 of this manual for additional details*). As the user is working while tied-off to this **Beam Anchor**, their Personal Fall Arrest System (PFAS) will be securely attached to the structure.

Before using this product, the user should be trained in the use of fall arrest products and should have completed a minimum course of instruction (4-8 hours) for *Authorized Person Training* as outlined in ANSI Z359.2-2007. The user must also read and be familiar with all of the material contained in this instruction manual as well as all labels and warnings affixed to the **FallTech Beam Anchor**. If you have any questions regarding the use or operation of this product, please contact *FallTech*, a competent person, or your immediate supervisor before using.

This product must be inspected before each use. For details on proper inspection procedures, please refer to section 8 of this manual. Should this product fail to pass inspection, it must be immediately removed from service and replaced.

This **FallTech Beam Anchor** is intended to be used as part of a Personal Fall Arrest System and will comprise the Anchorage element of your PFAS (see section 2 of this manual for clarification of these terms). This product is designed to be attached to a horizontal I-Beam or H-Beam (model #'s 7489 and 7535 may also be attached to vertical beams) in order to provide a secure anchorage for your PFAS.

Your **Beam Anchor** should ideally be mounted to an overhead, bottom beam flange, or rigged in a manner such that Free-Fall is restricted to no more than 6' (6 feet). In circumstances where there is no way to limit free fall to 6', or where there is no access to an overhead, bottom beam flange – some Beam Anchor models may be used

mounted to a top beam flange, provided that the Free-Fall is restricted to a maximum of 12'. When rigged for a Free-Fall greater than six feet, your FallTech Beam Anchor must be used with a FallTech Ironman series lanyard (7247, 7247Y, 8247 and 8247Y). Be sure to review the Clear-Fall diagram and worksheet in section 2.9 of this manual.

This product meets the requirements of OSHA 1926.502 as well as ANSI Z359.1-2007 and/or ANSI A10.32-2004. For further details on these requirements, please go to www.osha.gov to review the OSHA requirements. Copies of the ANSI standards are available at www.asse.org in the e-standards store.

3.2: Approved Applications

Below are applications for which your *FallTech Beam Anchor* is specifically suited. This list is not all-inclusive, but is intended to anticipate the most common applications in which this product may be used. If you have questions about whether this product is suitable for your particular application, please consult a competent person or contact *FallTech* for further advice.

Be sure to consult Section 5 of this instruction manual for details on anchorage considerations, as the anchorage and its relationship to the walking/working surface will be an important factor in determining suitability and could contribute to the outcome of a fall event. Use of an anchor point that is not properly rated could lead to a catastrophic failure of your personal fall arrest system, which may result in serious injury or death.

Model #	Overhead Mount	Foot-level Mount	Extended Free-fall	Vertical Mount	Single User	HLL/ Multiple User
7411	R	NR	NR	NR	R	NR
7490	R	NR	NR	NR	R	NR
7531	R	NR	NR	NR	R	NR
7530	R	R	R	NR	R	NR
7485	R	NR	NR	NR	R	NR
7486	R	NR	NR	NR	R	NR
7487	R	NR	NR	NR	R	NR
7488	R	NR	NR	NR	R	NR
7533	R	R	R	NR	R	NR
7534	R	R	R	NR	R	NR
7471	R	NR	NR	NR	R	NR
7489	R	R	R	R	R	R
7535	R	R	R	R	R	R
7710	R	NR	NR	NR	R	NR

R = Recommended

NR = Not Recommended

Direct Overhead Applications: All **FallTech Beam Anchors** are suitable for use in any application where the properly rated anchorage is directly above the walking/working surface, and allows for a maximum Free-Fall Distance of 6 feet.

Horizontal Lifelines: Model #'s 7489 and 7535 are suitable for use as anchorage connectors in conjunction with FallTech's PSR Temporary HLL System and with our Checkline 4-man Temporary HLL System.

If you have any questions regarding the suitability of this product for your specific application, please consult with a competent person or contact *FallTech* before using. Misuse of this product may result in serious injury or death.

Warning: The beam flange to which you are attaching this product must not be open-ended. If the flange is open on either end, and the Beam Anchor is not captivated on the flange do not attempt to use this device, as there is a serious risk of accidental disengagement. Serious injury or death may result!

3.3: Restricted Applications

Harsh Chemical Environments: Acids and other caustic chemicals can cause damage to this **Beam Anchor** and its component parts. Damage from chemical exposure can be difficult to detect and *FallTech* recommends increased inspection and/or replacement frequency.

Residential Construction: This product is not suitable for use in residential construction applications.

Climbing/Fixed Ladders: Do not attempt to affix this product to a fixed ladder to be used in conjunction with any other equipment for the purposes of climbing or fall arrest.

Extended Free Falls: Most *FallTech Beam Anchors* are rated to withstand the forces associated with extended free falls or foot-level tie-off. Care must be taken to ensure that the beam does not make direct contact with the gate or keeper on your connecting device. Such direct contact could result in the forced roll-out or disengagement of your connecting device. When in doubt, a FallTech Model # 7214 choker may be used to extend the connection to ensure that your connecting device is protected from the edge of the beam flange. See section 3.5 for additional information. Be sure to use a connecting device that is rated for free falls greater than six feet (i.e. 7247, 7248, 8247, 8248).

Welding/Power Transmission: FallTech **Beam Anchors** are manufactured using materials that will withstand high temperatures. Care must be taken to ensure that other elements of your PFAS are capable of withstanding temperature and/or electrical hazards. Install this anchor and rig your PFAS so as to reduce and/or eliminate exposure to these hazards.

3.4: Specialty Applications

Heavyweight: FallTech **Beam Anchors** have a maximum capacity of 425 lbs. For users weighing between 310 and 425 lbs (with clothing, tools and equipment), be sure to utilize this product along with body wear and connecting devices that are rated appropriately (FallTech *Heavyweight* SAL's are black in color and are denoted by model numbers beginning with 7246 or 8246). **Under no circumstances should any user weighing more than 310 lbs be subjected to more than six feet of free fall.**

Extended Free Falls: For applications where free fall cannot be limited to 6 feet or less, or where the anchor point will be at the walking/working surface (foot-level tie-off), special care must be taken. See sections 3.3 and 3.5 – 3.9 for additional details, instructions and warnings. For these applications, FallTech offers its Ironman series of lanyards, which are rated for free falls of up to 12 feet, with a maximum capacity of 310 lbs.

3.5: Installation and Use – Ratcheting/Sliding Beam Anchors

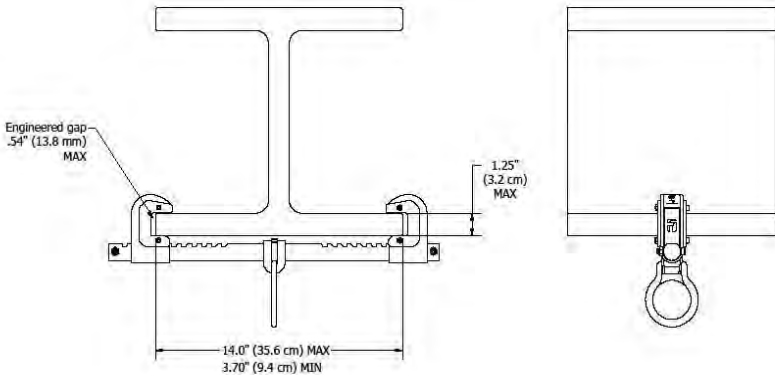
1. Select the appropriate **FallTech Ratcheting/Sliding Beam Anchor** based on the work conditions and specific hazards (See Section 3.2 for recommendations).
2. Read, understand and comply with manufacturer's instructions for each component of your Personal Fall Arrest System (Full-Body Harness, Connecting Devices, Anchorage Connectors, etc.). Be sure to choose components that are compatible with this **Beam Anchor**. If you have questions about product or component compatibility, be sure to contact FallTech for additional instructions.
3. Calculate possible swing fall hazards, total fall distance, and required clearance distance. If you have a swing-fall hazard or do not have the required clearance distance, STOP and reevaluate your application and system. Your work location should never exceed an angle of 15 degrees in any direction in relation to your anchorage location.

4. Inspect this **Beam Anchor**, and all components of your Personal Fall Arrest System in accordance with Section 8 of this manual. **Be sure to consult, and adhere to the instructional materials, labels and warnings accompanying the other components of your PFAS as well.**
5. Depress the thumb-latch or thumb-latches and slide the jaw or jaws out enough to allow the beam flange to fit between the jaws.
6. Position the Ratcheting/Sliding Beam Anchor over the beam so that both jaws extend over the flange.
7. Depress the thumb latch or latches and move the jaw or jaws toward the D-ring (which should be centered on the beam) until they make contact with the beam flange. Release the thumb latches and ensure that the thumb latches have fully engaged the teeth on the bar.
8. Check to make sure that the maximum total clearance between the jaws and the beam flange is no more than half an inch (or one tooth-spacing on the bar).
9. Check your installation to ensure that the Ratcheting/Sliding Beam Anchor cannot come off of the beam at any point along the intended path of movement or at beam joints or ends.
10. Ensure your Full Body Harness is properly donned and adjusted and that your connecting device is securely attached to your back D-ring. Tie-off to the Ratcheting/Sliding Beam Anchor with your connecting device.
11. Proceed cautiously with your work. Do not run, jump or over-reach. While moving, the Ratcheting/Sliding Beam Anchor should slide on the beam, allowing you greater mobility. If it does not slide smoothly, then check to ensure the D-ring on the Beam Anchor is centered on the beam. Also check for jagged edges, fasteners, paint build-up welding spatter or other obstructions. **Any type of obstruction or any sudden movement may cause the Beam Anchor to seize-up on the beam, causing you to lose your footing. Move with care and deliberation at all times while working at heights.**
12. Do not allow your connecting device to pass under your arm or between your legs – severe injury or death may result. Also avoid sharp edges which may damage your connecting device in the event of a fall.
13. If the beam to which this anchor is attached is sloped or vertical, the Beam Anchor must be positioned next to a stop which will prevent the Beam Anchor from sliding or moving in the event of a fall. Joints between beam sections must be flush and must have a maximum gap of ½”.
14. If you are tied-off at the foot-level, or in a manner that will allow more than six feet of free fall, ensure that your connecting device

is rated for extended free falls. Also ensure that the gate of your carabiner or snap hook which is attached to the beam anchor does not make direct contact with the edge of the beam flange, with any part of the Beam Anchor, or any other obstruction. Such contact could force a roll-out or accidental disengagement. If in doubt, you may use a FallTech #7214 Choker to extend your connection. Attach the 7214 Choker to the D-ring on your Beam Anchor, and then attach your connecting device to the D-ring on the Choker. This will help to keep your connector gate away from any potential hazard.

Once the above steps have been taken, the user will have access to their work area while walking and moving at normal speeds. It is important not to make sudden or dramatic movements! When using this device, care must be taken to be aware of the work environment and any hazards, obstructions or obstacles that may exist. Be careful of any and all fall hazards and also be aware of slipping and tripping hazards as well.

Fig. 3.1
Correct Installation of Ratcheting/Sliding Beam Anchor



3.6: Installation and Use – Detent-Pin Beam Anchors

1. Select the appropriate **FallTech Ratcheting/Sliding Beam Anchor** based on the work conditions and specific hazards (See Section 3.2 for recommendations).
2. Read, understand and comply with manufacturer's instructions for each component of your Personal Fall Arrest System (Full-Body Harness, Connecting Devices, Anchorage Connectors, etc.). Be sure to choose components that are compatible with this **Beam Anchor**. If you have questions about product or

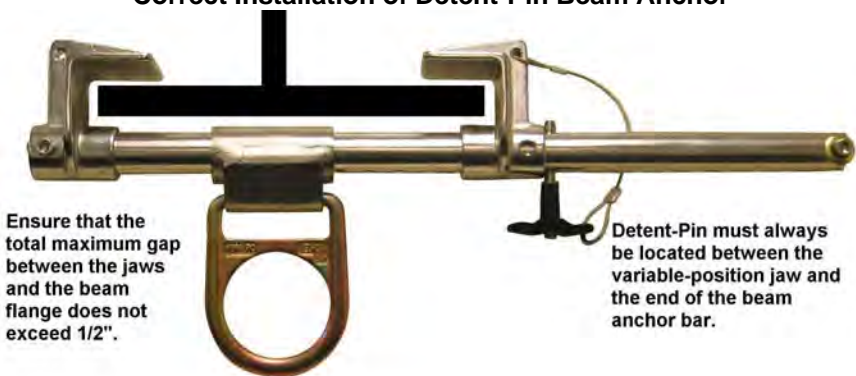
- component compatibility, be sure to contact *FallTech* for additional instructions.
3. Calculate possible swing fall hazards, total fall distance, and required clearance distance. If you have a swing-fall hazard or do not have the required clearance distance, STOP and reevaluate your application and system. Your work location should never exceed an angle of 15 degrees in any direction in relation to your anchorage location.
 4. Inspect this **Beam Anchor**, and all components of your Personal Fall Arrest System in accordance with Section 8 of this manual. **Be sure to consult, and adhere to the instructional materials, labels and warnings accompanying the other components of your PFAS as well.**
 5. Remove the detent pin from the variable position jaw and slide it away from the D-ring enough to allow the beam flange to fit between the jaws.
 6. Position the Ratcheting/Sliding Beam Anchor under the bottom flange of an overhead beam so that both jaws extend over the flange.
 7. Slide the variable position jaw toward the D-ring until both jaws are in direct contact with the beam flange. Fasten the variable position jaw in place by inserting the detent-pin through the hole directly adjacent to the variable position jaw on the opposite side of the jaw from the D-ring. ***Note: The detent-pin must always be on the outside of the variable position jaw, between the jaw and the end of the beam anchor bar. (see figure 3.2)***
 8. Check to make sure that the maximum total clearance between the jaws and the beam flange is no more than half an inch (or one hole-spacing on the bar).
 9. Check your installation to ensure that the Detent-Pin Beam Anchor cannot come off of the beam at any point along the intended path of movement or at beam joints or ends. ***Ensure that the variable position jaw is locked in place by the detent pin.***
 10. Ensure your Full Body Harness is properly donned and adjusted and that your connecting device is securely attached to your back D-ring. Tie-off to the Detent-Pin Beam Anchor with your connecting device.
 11. Proceed cautiously with your work. Do not run, jump or over-reach. While moving, the Detent-Pin Beam Anchor should slide on the beam, allowing you greater mobility. If it does not slide smoothly, then check to ensure the D-ring on the Beam Anchor is centered on the beam. Also check for jagged edges, fasteners, paint build-up welding spatter or other obstructions. **Any type of obstruction or any sudden movement may cause the Beam Anchor to seize-up on the beam, causing**

you to lose your footing. Move with care and deliberation at all times while working at heights.

12. Do not allow your connecting device to pass under your arm or between your legs – severe injury or death may result. Also avoid sharp edges which may damage your connecting device in the event of a fall.
13. If the beam to which this anchor is attached is sloped or vertical, the Beam Anchor must be positioned next to a stop which will prevent the Beam Anchor from sliding or moving in the event of a fall. Joints between beam sections must be flush and must have a maximum gap of $\frac{1}{2}$ ".
14. ***The Detent-Pin Beam Anchors (model #'s 7485 and 7486) should never be used for foot-level tie-off, nor should they ever be rigged for more than six feet of free fall.*** Improper rigging could lead to forced disengagement in the event of a fall. Always mount to the bottom flange of a horizontal, overhead beam so that the Beam Anchor is located above the level of the back D-ring on your Full Body Harness at all times.

Once the above steps have been taken, the user will have access to their work area while walking and moving at normal speeds. It is important not to make sudden or dramatic movements! When using this device, care must be taken to be aware of the work environment and any hazards, obstructions or obstacles that may exist. Be careful of any and all fall hazards and also be aware of slipping and tripping hazards as well.

Fig. 3.2
Correct Installation of Detent-Pin Beam Anchor



3.7: Installation and Use – Fixed-Position Beam Anchors

1. Select the appropriate *FallTech Fixed-Position Beam Anchor* based on the work conditions and specific hazards (See Section 3.2 for recommendations).
2. Read, understand and comply with manufacturer's instructions for each component of your Personal Fall Arrest System (Full-Body Harness, Connecting Devices, Anchorage Connectors, etc.). Be sure to choose components that are compatible with this *Beam Anchor*. If you have questions about product or component compatibility, be sure to contact *FallTech* for additional instructions.
3. Calculate possible swing fall hazards, total fall distance, and required clearance distance. If you have a swing-fall hazard or do not have the required clearance distance, STOP and reevaluate your application and system. Your work location should never exceed an angle of 15 degrees in any direction in relation to your anchorage location.
4. Inspect this *Beam Anchor*, and all components of your Personal Fall Arrest System in accordance with Section 8 of this manual. **Be sure to consult, and adhere to the instructional materials, labels and warnings accompanying the other components of your PFAS as well.**
5. Loosen both the outer and inner retainer nuts adjacent to the variable position jaw or jaws, creating an opening large enough to allow the beam flange to fit between the jaws.
6. Position the Fixed-Position Beam Anchor over the beam so that both jaws extend over the flange.
7. Slide the variable position jaw or jaws toward the D-ring at the center of the Beam Anchor until both jaws are in direct contact with the beam flange. Fasten the variable position jaw or jaws in place by first tightening the inner retainer nut (located directly next to the jaw). Next, tighten the outer retainer nut, which will secure the inner retainer nut. For models 7487 and 7488, use an adjustable wrench and tighten both nuts hand-tight, plus $\frac{1}{4}$ turn (see figure 3.3). For models 7533 and 7534, ensure the D-ring is centered on the beam flange, and then use a gloved hand and tighten each nut hand-tight (Be sure to adjust and tighten retainer nuts on both sides of the anchor – see figure 3.4).
8. Check to make sure that both jaws are in direct contact with the beam flange. **There should be no gap between the beam flange and the jaws of your Fixed-position Beam Anchor, which should fit tightly on the beam flange and be immovable.**

9. Check your installation to ensure that the Fixed-Position Beam Anchor cannot come off of the beam; that it is fitted tightly to the beam flange and cannot be moved.
10. Ensure your Full Body Harness is properly donned and adjusted and that your connecting device is securely attached to your back D-ring. Tie-off to the Fixed-Position Beam Anchor with your connecting device.
11. Proceed cautiously with your work. Do not run, jump, make sudden movements or over-reach. This Beam Anchor is in a fixed position and is immovable – once you reach the extended length of your connecting device, any sudden movements may cause you to lose your footing. **Move with care and deliberation at all times while working at heights.**
12. Do not allow your connecting device to pass under your arm or between your legs – severe injury or death may result. Also avoid sharp edges which may damage your connecting device in the event of a fall.
13. If the beam to which this anchor is attached is sloped or vertical, the Beam Anchor must be positioned next to a stop which will prevent the Beam Anchor from sliding or moving in the event of a fall. Joints between beam sections must be flush and must have a maximum gap of ½”.
14. If you are tied-off at the foot-level, or in a manner that will allow more than six feet of free fall, ensure that your connecting device is rated for extended free falls. Also ensure that the gate of your carabiner or snap hook which is attached to the beam anchor does not make direct contact with the edge of the beam flange, with any part of the Beam Anchor, or any other obstruction. Such contact could force a roll-out or accidental disengagement. If in doubt, you may use a FallTech #7214 Choker to extend your connection. Attach the 7214 Choker to the D-ring on your Beam Anchor, and then attach your connecting device to the D-ring on the Choker. This will help to keep your connector gate away from any potential hazard.

Once the above steps have been taken, the user will have access to their work area while walking and moving at normal speeds. It is important not to make sudden or dramatic movements! When using this device, care must be taken to be aware of the work environment and any hazards, obstructions or obstacles that may exist. Be careful of any and all fall hazards and also be aware of slipping and tripping hazards as well.

Fig. 3.3
Correct Installation of Fixed-Position Beam Anchor (7487 & 7488)

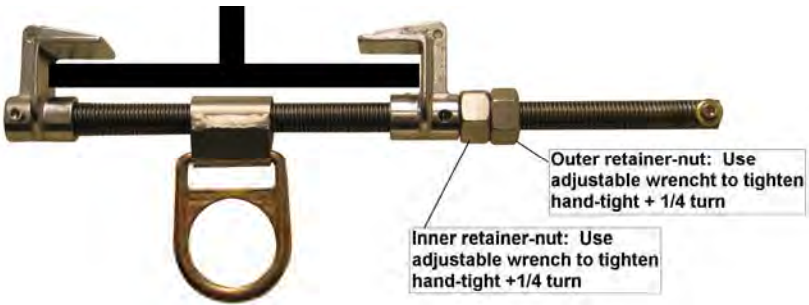
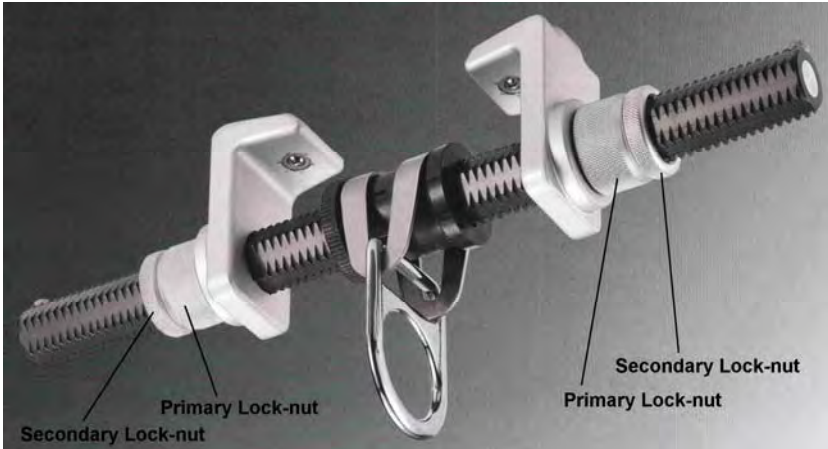


Fig. 3.4
Fixed-Position Beam Anchor (7533 & 7534)



3.8: Installation and Use – Vertical Beam Anchors

1. Select the appropriate **FallTech Vertical Beam Anchor** based on the work conditions and specific hazards (See Section 3.2 for recommendations).
2. Read, understand and comply with manufacturer's instructions for each component of your Personal Fall Arrest System (Full-Body Harness, Connecting Devices, Anchorage Connectors, etc.). Be sure to choose components that are compatible with this **Beam Anchor**. If you have questions about product or

- component compatibility, be sure to contact *FallTech* for additional instructions.
3. Calculate possible swing fall hazards, total fall distance, and required clearance distance. If you have a swing-fall hazard or do not have the required clearance distance, STOP and reevaluate your application and system. Your work location should never exceed an angle of 15 degrees in any direction in relation to your anchorage location.
 4. Inspect this **Beam Anchor**, and all components of your Personal Fall Arrest System in accordance with Section 8 of this manual. **Be sure to consult, and adhere to the instructional materials, labels and warnings accompanying the other components of your PFAS as well.**
 5. Loosen the variable-position jaw and create an opening large enough to allow the beam flange to fit between the jaws. For model 7489, loosen the adjustment handle all the way and remove the detent pin (see figure 3.5). For model 7535, first loosen the outer retainer nut and then loosen the inner retainer nut (see figure 3.6).
 6. Position the Vertical Beam Anchor over the beam so that both jaws extend over the flange.
 7. Slide the variable-position jaw toward the beam flange until both jaws are in direct contact with the beam flange. For model 7489, fasten the variable position jaw in place by first inserting the detent-pin in the first open hole on the bar. Then, turn the adjustment handle in a clockwise direction until hand-tight. For model 7535, using a gloved hand, tighten the inner retainer nut until hand-tight and then tighten the outer retainer nut until it is hand-tight.
 8. Check to make sure that both jaws are in direct contact with the beam flange. **There should be no gap between the beam flange and the jaws of your Vertical Beam Anchor, which should fit tightly on the beam flange and be IMMOVABLE.**
 9. Check your installation to ensure that the Fixed-Position Beam Anchor cannot come off of the beam; that it is fitted tightly to the beam flange and **CANNOT BE MOVED.**
 10. Ensure your Full Body Harness is properly donned and adjusted and that your connecting device is securely attached to your back D-ring. Tie-off to the Vertical Beam Anchor with your connecting device.
 11. If using your Vertical Beam Anchor(s) as an anchor point(s) for a FallTech Temporary HLL System, please refer to the instructions for that system and proceed with rigging your HLL.
 12. Proceed cautiously with your work. Do not run, jump, make sudden movements or over-reach. This Beam Anchor is in a fixed position and is immovable – once you reach the extended

length of your connecting device, any sudden movements may cause you to lose your footing. **Move with care and deliberation at all times while working at heights.**

13. Do not allow your connecting device to pass under your arm or between your legs – severe injury or death may result. Also avoid sharp edges which may damage your connecting device in the event of a fall.
14. If the beam to which this anchor is attached is sloped or vertical, the Beam Anchor must be positioned next to a stop which will prevent the Beam Anchor from sliding or moving in the event of a fall. Joints between beam sections must be flush and must have a maximum gap of $\frac{1}{2}$ ".
15. If you are tied-off at the foot-level, or in a manner that will allow more than six feet of free fall, ensure that your connecting device is rated for extended free falls. Also ensure that the gate of your carabiner or snap hook which is attached to the beam anchor does not make direct contact with the edge of the beam flange, with any part of the Beam Anchor, or any other obstruction. Such contact could force a roll-out or accidental disengagement. If in doubt, you may use a FallTech #7214 Choker to extend your connection. This will help to keep your connector gate away from any potential hazard.

Once the above steps have been taken, the user will have access to their work area while walking and moving at normal speeds. It is important not to make sudden or dramatic movements! When using this device, care must be taken to be aware of the work environment and any hazards, obstructions or obstacles that may exist. Be careful of any and all fall hazards and also be aware of slipping and tripping hazards as well.

Fig. 3.5
Correct Installation of Vertical Beam Anchor (7489)

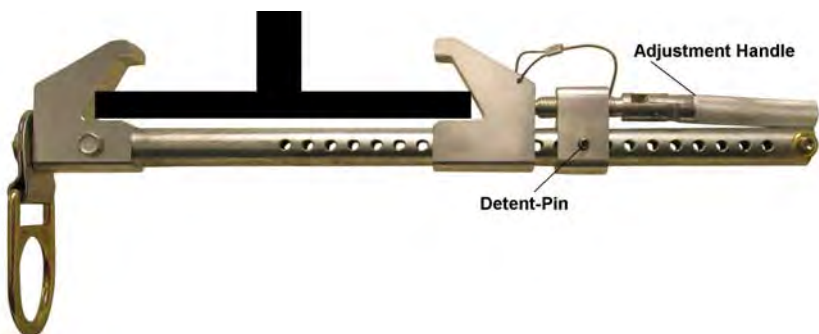
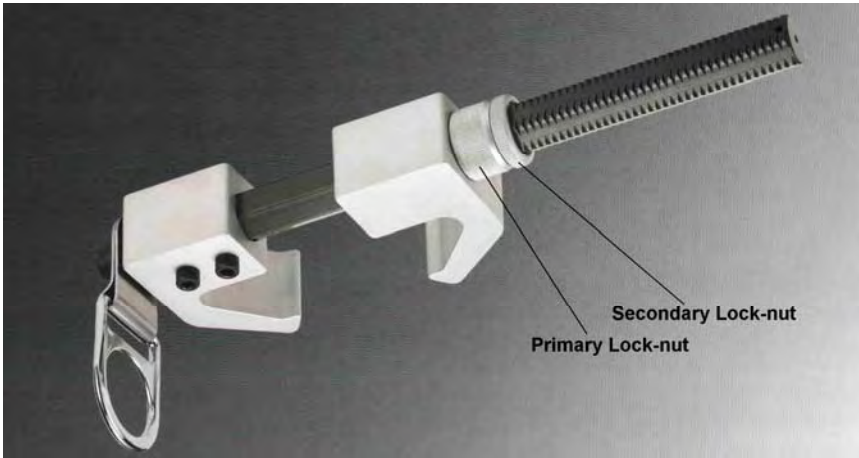


Fig. 3.6
Vertical Beam Anchor (7535)



3.9: Installation and Use – Beam Trolley

1. Read, understand and comply with manufacturer's instructions for each component of your Personal Fall Arrest System (Full-Body Harness, Connecting Devices, Anchorage Connectors, etc.). Be sure to choose components that are compatible with this **Beam Trolley**. If you have questions about product or component compatibility, be sure to contact *FallTech* for additional instructions.
2. Calculate possible swing fall hazards, total fall distance, and required clearance distance. If you have a swing-fall hazard or do not have the required clearance distance, STOP and reevaluate your application and system. Your work location should never exceed an angle of 15 degrees in any direction in relation to your anchorage location.
3. Inspect this **Beam Trolley**, and all components of your Personal Fall Arrest System in accordance with Section 8 of this manual. **Be sure to consult, and adhere to the instructional materials, labels and warnings accompanying the other components of your PFAS as well.**
4. Loosen the variable-position yoke and create an opening large enough to allow the beam flange to fit between the yokes by first loosening the outer retainer nut and then loosening the inner retainer nut (see figure 3.7).
5. Position the Beam trolley over the lower flange of the beam so that the wheels on each of the yokes extend over the flange. The FallTech Beam Trolley must only be mounted to an

overhead, horizontal beam so as to restrict freefall to a maximum of six feet. **Never use the FallTech Beam Trolley to tie-off at the foot-level or to the top flange of any beam. Never use on a vertical beam.**

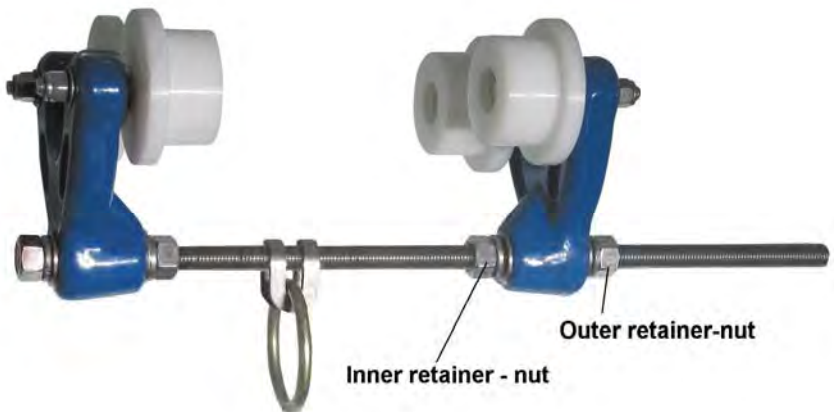
6. Slide the variable-position yoke toward the beam flange until both the wheels on both yokes are in direct contact with the top of the beam flange. The raised portion of the wheels should be in contact with the outer edge of the beam flange. Using a gloved hand, tighten the inner retainer nut until hand-tight and then tighten the outer retainer nut until it is hand-tight – then use an adjustable wrench to tighten the outer retainer nut an additional $\frac{1}{4}$ turn.
7. Check to make sure that all four wheels are in direct contact with the beam flange. There should be no play from side to side, as the raised outer edge of the wheels should keep the Beam Trolley centered on the beam. The Beam Trolley should glide smoothly along the beam in either direction.
8. Be sure that the beam is level and horizontal and that there is no slope or grade. Ensure that the flange is free of jagged edges, paint build up, rivets, fasteners, welding slag or any other obstruction in the path of the Beam Trolley. Ensure that there is a stop or a column at either end of the Beam Trolley's path. Failure to do so could result in an accidental disengagement, leading to serious injury or death.
9. Check your installation to ensure that the Beam Trolley cannot come off of the beam at any point along the intended path of movement or at beam joints or ends.
10. Joints between beam sections must be flush and must have a maximum gap of $\frac{1}{2}$ ".
11. Ensure your Full Body Harness is properly donned and adjusted and that your connecting device is securely attached to your back D-ring. Tie-off to the Beam Trolley with your connecting device.
12. Proceed cautiously with your work. Do not run, jump or over-reach. While moving, the Ratcheting/Sliding Beam Anchor should glide on the beam, allowing you greater mobility. If it does not glide smoothly, then check to ensure the D-ring on the Beam Anchor is centered on the beam. Also check for jagged edges, fasteners, paint build-up welding spatter or other obstructions. **Any type of obstruction or any sudden movement may cause the Beam Anchor to seize-up on the beam, causing you to lose your footing. Move with care and deliberation at all times while working at heights.**
13. Do not allow your connecting device to pass under your arm or between your legs – severe injury or death may result. Also

avoid sharp edges which may damage your connecting device in the event of a fall.

14. ***The FallTech Beam Trolley should never be used for foot-level tie-off, nor should it ever be rigged for more than six feet of free fall.*** Improper rigging could lead to forced disengagement in the event of a fall. Always mount to the bottom flange of a horizontal, overhead beam so that the Beam Anchor is located above the level of the back D-ring on your Full Body Harness at all times.

Once the above steps have been taken, the user will have access to their work area while walking and moving at normal speeds. It is important not to make sudden or dramatic movements! When using this device, care must be taken to be aware of the work environment and any hazards, obstructions or obstacles that may exist. Be careful of any and all fall hazards and also be aware of slipping and tripping hazards as well.

Fig. 3.7
FallTech Beam Trolley (7710)



Section 4: Product Selection

Product selection is as important as the proper use of the product itself. Poor judgment in product selection can have catastrophic results – therefore be sure to consult a competent person to ensure that the product that is issued is appropriate for the application and the specific location for which it is intended.

ANSI Z359.1-2007, Section 7 describes in detail the steps that should be taken with regard to the selection of fall arrest equipment. FallTech strongly encourages the use of this guide by those who employ users of fall arrest products. The ANSI standard recommends the following steps be taken:

- A workplace assessment by a competent person taking into account the presence of sources of extreme heat, chemicals, electrical hazards, environmental contaminants, sharp objects, abrasive surfaces; moving equipment and materials, unstable, uneven and slippery walking/working surfaces; unguarded openings; climatic/weather factors and foreseeable changes to these conditions. Care must be taken to ensure that the equipment that is selected is suitable for use where any of these conditions may exist.
- The workplace assessment must identify all paths of movement and the fall hazards along these paths. Care must be taken to ensure that there are proper anchorages at appropriate intervals along these paths to protect the users from these hazards without exposure to swing-fall conditions. The PFAS selected must limit the fall distance in order to avoid contact with the next lower level in the event of a fall.
- Anchorage connectors should be selected on the basis of their suitability for attachment to the anchor point to ensure a compatible and secure connection.
- The exposure of the anchorage connector to sharp edges, abrasive surfaces and other physical/structural hazards should be considered when evaluating compatibility.
- The competent person shall calculate the weight of all authorized persons when fully equipped to ensure that they are within the maximum capacity of the PFAS.
- A full body harness meeting the requirements of Z359 shall be selected, and it shall be sized to fit the user as per the manufacturer's instructions.
- Connectors that are selected shall be suitably sized and shaped so as to be compatible with the devices to which they will be attached.
- The competent person shall select the method of protecting the equipment from damage by workplace conditions, in accordance with the manufacturer's instructions.
- The competent person shall check the equipment instructions and markings to ensure compliance with the appropriate standards and will ensure that manufacturer's instructions; markings and warnings are read and followed.

- If the PFAS that is selected is made up of components from different manufacturers, the competent person will ensure that these components are compatible.

FallTech strongly encourages that the following points also be considered in the course of product selection, in addition to the points above:

- Select the anchorage connector that is most appropriate for your application and for the anchor point to which it will be attached. While sling-style anchors are popular because of their versatility, they are not always the best choice where sharp or angular edges are present on the structure to which they are attached.
- Select a full body harness of appropriate durability for your workplace which contains all of the attachment elements that you will require. Never attach any SRL to anything other than the back/dorsal d-ring or the front/chest d-ring of your full body harness.
- Depending on workplace conditions and hazards, you may need to employ multiple systems or different combinations of components. Do not try and force the system to fit the application. Use of the correct equipment is the best policy.

Section 5: Anchorage Considerations

OSHA 1910.66 and 1926.502 state that anchorages used for attachment of a PFAS must be independent of any anchorage being used to support or suspend platforms, and must support at least 5,000 lbs. per user attached, or be designed, installed and used as part of a complete PFAS which maintains a safety factor of at least two, and is supervised by a qualified person (architect, structural engineer, etc.).

The anchor-point to which this Beam Anchor is attached must be capable of sustaining static loads in directions applied by the personal fall arrest system of at least 3,600 lbs (or at least twice the expected dynamic load) with certification of a qualified person (architect, structural engineer, etc.), or 5,000 lbs in the absence of certification. If multiple personal fall arrest systems are being attached to the same anchorage, the minimum values stated above must be multiplied by the number of users.

Ensure that this **Beam Anchor** is compatible with the anchor point to which you are attaching it. Be sure that this Beam Anchor is compatible

with other elements of your Personal Fall Arrest System (PFAS) by checking the manufacturer's instructions for these components.

Be sure that your anchorage is mounted overhead or above the level of the back d-ring of your full body harness if at all possible (check for specific restrictions in sections 3.5 – 3.9). Be sure to calculate your clear-fall (as discussed in section 2.9) and to avoid swing fall hazards. Ensure the fall path is clear of obstructions and impalement hazards.

Section 6: Employer and User Training

6.1: Special notes for the Employer

As an employer, you may be obliged to provide Personal Protective Equipment (to include Personal Fall Arrest and Fall Protection Equipment) along with an appropriate amount of training to your employees so that they will be adequately prepared to use this equipment in the course of their work. If you are unsure about your duty to provide fall protection, consult Title 29 CFR, section 1926.501 which can easily be viewed at www.osha.gov. Another important resource for employers is the Consensus standard on Managed Fall Protection: ANSI Z359.2-2007.

Equally important is the subject of product/equipment selection. If you are obliged to provide fall protection equipment for your employees, be sure to consult with or appoint a competent or qualified person to select and prescribe equipment that is suitable to address the specific hazards which may be present on your job-site or in your facility. There are different products for different applications, and under many circumstances these products are not interchangeable. If you have questions as to whether this product is suitable for your application, please contact FallTech for assistance.

It is important to note that improper use of fall arrest equipment can be just as dangerous as not using it at all. Failure to adequately train and supervise your employees may result in serious injury or death. It is critical to have a training program supported by documentation, refresher/remedial training and to establish best practices where the employment of all PPE is concerned.

6.2: User Training

It is the responsibility of the user of this equipment to read and fully understand these instructions before employing this product as part of a Personal Fall Arrest System (PFAS). Every user of fall protection should be provided a four to eight hour course of instruction for the Authorized

User. Training must also be provided in the use of each component of the user's PFAS and in the recognition of fall hazards. During the course of this training, the user may not be exposed to a fall hazard.

In the absence of a formal training program, FallTech has designed these instructional materials to act as an abbreviated course of instruction in an effort to give the user an over-view of fall arrest. This manual does not constitute a comprehensive training program, and it is not all-inclusive. Be sure to consult www.osha.gov for details on OSHA requirements for training. *FallTech* has additional services available to assist with end-user training – contact a *FallTech* sales professional for additional details.

As a minimum, training should address the following points:

- ABCD's of Fall Arrest (as discussed in Section 2).
- Recognition of fall hazards.
- Fall hazard elimination and control methods.
- Applicable fall protection regulations and standards.
- The responsibilities of designated persons (Authorized, Competent, Qualified).
- How to use written fall protection procedures.
- Inspection of equipment components and systems before use.
- Fall protection rescue procedures.
- Installation and use of products common to your duties, job-site or facility.

It is important to note that improper use of this equipment can be just as dangerous as not using it at all. Failure to read, understand and follow these instructions may result in serious injury or death.

Section 7: Fall Protection Plan

Title 29 CFR, section 1926.500 – 503 requires that an employer have a written fall protection plan where fall hazards exist. The best way to address a fall hazard is to eliminate it entirely or to employ a passive system to restrict access to the hazard (i.e. guardrails, netting, covers, etc.) Fall arrest products are the last line of defense in the hierarchy of fall protection, and should be used as a last resort by employees who have been thoroughly trained. The accepted fall protection hierarchy is as follows:

- Eliminate the fall hazard.
- Passive fall protection (guardrails, safety nets, barriers, etc.).

- Fall Restraint (prevent the worker from having access to the fall hazard by using a fixed lanyard which is short enough to restrict access to the hazard).
- Fall Arrest (utilizing Personal Fall Arrest Systems).
- Administrative Controls (use of warning lines, controlled access zones or monitors).

Two exceptional resources for developing a written fall protection plan are OSHA 1926 Subpart M, Appendix E and ANSI Z359.2-2007. All ANSI standards are available for purchase at www.ansi.org in the e-standards store.

7.1: The Fall Protection Plan

As a minimum, a fall protection plan should identify and/or address the following points:

- Any and all fall hazards which may exist on your job-site or in your facility.
- Steps that have been taken to eliminate each fall hazard.
- Equipment that has been or will be employed to address each fall hazard.
- Provisions for 100% continuous fall protection in the vicinity of all fall hazards.
- Training procedures for all authorized persons.
- Identification of acceptable anchorages for positioning, restraint and fall arrest.
- Clear-fall requirements.
- Use and egress from the system.
- Limitations on use of the system (maximum Free-fall, arrest force and maximum number and permitted locations of authorized persons who may use the system).
- Procedures for installation, use and removal of the system.
- Detailed instructions for inspection of systems and system components to include rejection criteria and replacement procedures.
- A detailed plan and procedures for the rescue of a worker who may be involved in a fall event.

7.2: Rescue Plan

In the event of a fall, OSHA requires that a prompt rescue be provided. In order to facilitate a prompt and effective rescue, it is

important to have a Rescue Plan as part of your overall Fall Protection Plan.

The rescue plan should include detailed procedures for summoning a professional rescue agency (such as the local fire department) and/or for performing self-rescue or in-house rescue.

For detailed assistance in formulating and maintaining an effective rescue plan, see ANSI Z359.2-2007.

7.3: Suspension Trauma

Suspension Trauma (also referred to as orthostatic intolerance) is a condition that can arise from being suspended in a full-body harness for a prolonged period of time while awaiting rescue after a fall. Under these circumstances, blood circulation can be restricted allowing a large volume of blood to accumulate or pool in the veins of the workers legs. This condition can result in a variety of symptoms, some of which include light-headedness, loss of consciousness, difficulty concentrating and palpitations.

Following a rescue, Suspension Trauma can be so acute as to cause cardiac arrest when the large volume of un-oxygenated blood overwhelms the heart. This severity of this condition can be greatly reduced by using any one of a variety of devices offered to alleviate Suspension Trauma, such as *FallTech's ReliefPak* and by providing a prompt rescue in the event of a fall.

For additional details on Suspension Trauma, refer to OSHA's Safety and Health Information Bulletin SHIB 03-24-2004 at www.osha.gov.

Section 8: Product Inspection

Inspection is a critical element in the employment of any fall protection equipment. In order to protect Authorized Persons who are using this **Beam Anchor**, it is important that the employer establishes procedures that has layers of inspection to ensure that any mechanical or functional deficiencies are recognized before the product is put into use.

8.1: Issuing

If the **Beam Anchor** is to be kept in a locker or tool crib between periods of use, the person responsible should inspect the product upon issuing and receipt to ensure that it is in proper working order. If any

deficiency is noted, this should be logged on the inspection record and the product should be removed from service and handled in accordance with the employer's lock-out/tag-out policy. If this Beam Anchor exhibits a deficiency, it should be immediately removed from service and replaced.

8.2: Daily/Incidental Use

OSHA 1910.66 and OSHA 1926.502 (as well as ANSI Z359.1-2007 and ANSI A10.32-2004) specifically require that the user inspect all fall protection equipment prior to each use to ensure proper function and to ensure that the equipment is in serviceable condition. Failure to do so may result in serious injury or death.

FallTech requires that the following steps be taken during each inspection prior to use of this Beam Anchor:

1. Check for any damage to the Beam Anchor. Inspect all metal parts for cracking, bending, burrs or deformation of any kind. Ensure that there are no missing parts. If any of these conditions exist, remove from service immediately and replace..
2. Inspect all metal surfaces for evidence of excessive corrosion. Light surface corrosion should be removed with steel wool. If excessive corrosion exists, remove from service immediately and replace.
3. Inspect the Beam Anchor for build-up of any surface contamination such as paint, grease, oil, dirt or any other foreign substance which may inhibit the operation of an mechanical parts.
4. Check the function of any and all mechanical parts such as thumb latches, levers, pawls, detent pins, adjustment levers or retainer-nuts/lock-nuts. Any of these elements should be capable of being operated or adjusted with a minimum of effort. Ensure the jaws are able to be locked in place or that they are able to be secured by the retainer-nuts or detent pins. If there is any mechanical deficiency, immediately remove this Beam Anchor from service and have it replaced.
5. If your beam anchor is equipped with nylon or plastic slides on the jaws, ensure these are in good condition and are not cracked, broken or missing.
6. If you know or suspect that this Beam Anchor has been used in a fall, remove it from service immediately and have it replaced.
7. Inspect the labels and ensure that they are present or legible. Re-familiarize yourself with any warnings or instruction on the labels. If the labels are missing or illegible, remove the Beam Anchor from service and have it replaced.

8. The results of semi-annual Competent Person inspections should be recorded in section 8.3 of this manual.
9. If this Beam Anchor fails any part of this inspection, be sure to remove it from service immediately and have it replaced.

8.3: Mandatory Semi-Annual Inspection

ANSI Z359.1-2007 requires that all fall protection equipment be inspected by a competent person other than the user at least once each year. *FallTech* strongly encourages that all fall protection equipment be inspected by a competent person other than the user at least once every six months.

This inspection should be noted in the inspection log below, along with any deficiencies. This inspection should also be used as an opportunity to counsel any authorized persons with respect to any deficiencies that they may have failed to note in their daily inspections.

Inspection Log *FallTech Beam Anchor*

Model #: _____

Serial #: _____

Mfg. Date: _____

Inspection Date	Inspector	Comments	Pass/Fail	Corrective Action to be Taken	Approved By

Inspection Log

FallTech Beam Anchor

Model #: _____

Serial #: _____

Mfg. Date: _____

Inspection Date	Inspector	Comments	Pass/Fail	Corrective Action to be Taken	Approved By

Section 9: Maintenance and Storage

The service life of your *FallTech Beam Anchor* will depend on two factors: The environmental conditions of your working environment along with proper care (specifically, maintenance and storage).

Keeping the *Beam Anchor* clean and free of contaminants will greatly increase the service life and will ensure that the *Beam Anchor* will be in proper working order in the event that you need it to arrest a fall. The following steps should be taken periodically:

1. Using a damp rag and a mild soap and water solution, wipe down the surface *Beam Anchor* to remove soil and surface contaminants. Ensure that the labels are legible at all times.
2. Use a damp rag to clean the surfaces of any connecting hardware.
3. If there is an excessive build up of paint, oil, dirt tar or other contaminants that cannot be removed, remove the *Beam Anchor* from service and have it replaced.
4. If any moving parts require lubrication, use a light application of 100% silicon spray. Do not use petroleum-based lubricants.
5. Store in a cool, dry location away from direct sunlight and where it will not be exposed to chemical vapors.
6. This *Beam Anchor* should be hung on a rack or a peg or stored flat on a shelf.
7. Do not throw the *Beam Anchor* into a pile or a locker or storage box, as this may cause damage.

Provided your *Beam Anchor* passes inspection, has been properly maintained, has not been involved in arresting a fall and is in serviceable condition, it will be suitable for use. If your *Beam Anchor* is in need of repair or you are concerned about its condition, return it to the place of purchase to arrange an inspection and/or repair through an authorized service center. For further details, contact *FallTech*.

Section 10: Specifications

This section contains important information regarding the performance and construction of this product. Please read and be familiar with this and all information contained in this instruction manual.

10.1: Mandatory Disclosures

This instruction manual addresses foreseeable hazards, uses and applications. If you have questions about your application that are not addressed in this document, contact *FallTech* for additional guidance.

It is the responsibility of the employer/issuer of this equipment to ensure that it is used in a manner consistent with these instructions. Failure to do so could result in series injury or death.

For further reading and additional information, see Section 10.4 for a listing of relevant standards with which you should be familiar.

10.2: Performance Specifications

Ratcheting/Sliding Beam Anchors

	7411	7490	7530	7531
Material of Construction: Jaws	Stainless Steel	Stainless Steel	Alloy Steel	Alloy Steel
Material of Construction: Bar	Stainless Steel	Alloy Steel	Aluminum Alloy	Aluminum Alloy
Maximum Capacity:	425 lbs.	425 lbs.	425 lbs.	425 lbs.
Ultimate Strength:	5,000 lbs.	5,000 lbs.	5,000 lbs.	5,000 lbs.

Detent-Pin Beam Anchors

	7485	7486
Material of Construction: Jaws	Stainless Steel	Stainless Steel
Material of Construction: Bar	Stainless Steel	Stainless Steel
Maximum Capacity:	425 lbs.	425 lbs.
Ultimate Strength:	5,000 lbs.	5,000 lbs.

Fixed-Position Beam Anchors

	7487	7488	7533	7534
Material of Construction: Jaws	Stainless Steel	Stainless Steel	Aluminum Alloy	Aluminum Alloy
Material of Construction: Bar	Stainless Steel	Stainless Steel	Aluminum Alloy	Aluminum Alloy
Maximum Capacity:	425 lbs.	425 lbs.	425 lbs.	425 lbs.
Ultimate Strength:	5,000 lbs.	5,000 lbs.	8,000 lbs.	8,000 lbs.

Beam Trolley Anchors

	7710
Material of Construction: Jaws	Aluminum Alloy
Material of Construction: Bar	Stainless Steel
Maximum Capacity:	425 lbs.
Ultimate Strength:	5,000 lbs.

Vertical Beam Anchors

	7489	7535	7536
Material of Construction: Jaws	Aluminum Alloy	Aluminum Alloy	Aluminum Alloy
Material of Construction: Bar	Stainless Steel	Aluminum Alloy	Aluminum Alloy
Maximum Capacity:	425 lbs.	425 lbs.	425 lbs.
Ultimate Strength:	10,000 lbs.	8,000 lbs.	8,000 lbs.

10.3: Labels and Markings

The label shown below must be present on the product and must be legible. If it is not, remove the product from service.

Located on end of Beam Anchor Bar

FALLTECH™

Do Not Remove Label

Meets or exceeds all applicable OSHA Regulations including 1926.502 and ANSI Standards including A10.32-04 and/or Z359.1-2007
Made in USA
FallTech 800-719-4619 falltech.com

Beam Anchor

Style (estilo): 7530

Date of Mfg: 23 February, 2011

Capacity: 130-425lbs

Material: Stainless and Forged Alloy Steel

Serial #: 1234567

	J	F	M	A	M	J	J	A	S	O	N	D
10												
11												
12												
13												
14												



Front side

! WARNING !

Complies with ANSI and OSHA requirements on the date of manufacture. All warnings and instructions supplied with this product must be read and followed. Any failure to do so could result in serious injury or death. If instructions, labels or warnings are missing, contact FallTech immediately. If this unit has been subjected to any fall arrest forces, remove from service and destroy. Use only compatible connections. Never attach connectors together. Anchorage must be able to support a minimum of 5000lbs (22kN). Inspect this unit before every use. Ensure beam clamp is adjusted as tightly as possible. For use on H and I beam type steel. Inspect before every use. Must be inspected by a competent person every 6 months. **DO NOT REMOVE LABEL**

Back side

0-4: Standards and references

Below is a listing of standards that are applicable to the construction and use of this product. *FallTech* strongly encourages that all employers acquire and utilize these documents for the creation of your own fall protection policies and your individual fall protection plans. Users of this product should also be familiar with this information as well.

OSHA Standards bear the force of law on a federal level. Some states have their own regulations which are locally enforced – check with your State Department of Labor for specific requirements which may be enforced in your area. OSHA Standards can be accessed for free at www.osha.gov.

29 CFR 1926 (Subpart M)

- 1926.500: Scope, Application and Definitions
- 1926.501: Duty to Have Fall Protection
- 1926.502: Fall Protection Systems Criteria & Practices
- 1926.503: Training Requirements

ANSI standards are voluntary consensus standards, and are generally regarded among the best practices where fall protection is concerned. Some states have incorporated one or more of the ANSI standards by reference, meaning that they may be enforced by some state or local agencies. Check with your State Department of Labor for further details. ANSI standards are available for purchase through the e-standards store at www.ansi.org.

ANSI Z359.1-2007: Safety Requirements for Personal Fall Arrest Systems, Subsystems and Components

ANSI Z359.2-2007: Minimum Requirements for a Comprehensive Managed Fall Protection Program

ANSI Z359.12-2009: Connecting Components for Personal Fall Arrest Systems

ANSI A10.32-2004: Fall Protection Systems for Construction and Demolition Operations

Warranty

FallTech warrants to the buyer that all products are free from defect in material and workmanship at the time of shipment. Obligation under this warranty is limited to product replacement for the period of two (2) years from the date of installation or use by the owner, provided that this period shall not exceed two (2) years from the date of shipment. This warranty is not transferable. No other person or firm is authorized to assume or assign for FallTech any other warranty in connection with the sale or use of this product.

Furthermore, this warranty is void if any product is changed or altered in any way, or if the product is used in a manner other than for which it is intended. This warranty only covers defects in material and workmanship; it does not cover conditions resulting from normal wear and tear, neglect abuse or accident.



FALLTECH

Alexander Andrew, Inc. (dba FallTech)
1306 South Alameda Street
Compton, CA 90221
Toll Free: (800) 719-4619
Phone: (323) 752-0066
Fax: (323) 752-5613
www.falltech.com

MANC01 ALX



Instrucciones para anclajes de viga



¡Advertencia!

EL USUARIO DE ESTE EQUIPO Y EL EMPLEADOR DEL USUARIO DEBEN LEER Y CUMPLIR CON ESTAS INSTRUCCIONES. ASIMISMO, EL USUARIO Y EL EMPLEADOR DEL USUARIO DEBEN LEER Y CUMPLIR CON TODAS LAS INSTRUCCIONES, ADVERTENCIAS EN LAS ETIQUETAS E INDICACIONES INCLUIDAS EN CADA COMPONENTE DEL SISTEMA DE DETENCIÓN DE CAÍDAS DEL CUAL ES PARTE ESTE PRODUCTO. NO COMPRENDER NI CUMPLIR CON ESTAS INSTRUCCIONES PUEDE OCASIONAR LESIONES GRAVES O LA MUERTE.

SI ESTAS INSTRUCCIONES NO ESTÁN CLARAS PARA USTED, CONSULTE A UNA PERSONA COMPETENTE. SI ESTAS INSTRUCCIONES SE PIERDEN O DAÑAN, O CUALQUIER ETIQUETA, INSTRUCCIÓN O INDICACIÓN QUEDA ILEGIBLE, COMUNÍQUESE CON FALLTECH PARA OBTENER LOS REEMPLAZOS. SI NECESITA AYUDA ADICIONAL PARA ENTENDER EL BUEN EMPLEO DE ESTE PRODUCTO, COMUNÍQUESE CON FALLTECH PARA RECIBIR ASISTENCIA:

Alexander Andrew, Inc. (dba FallTech)
1306 South Alameda Street
Compton, CA 90221, USA
1-800-719-4619
1-323-752-0066
www.falltech.com

Índice

Sección 1: Advertencias y avisos

Sección 2: Conceptos básicos sobre la protección contra caídas - El ABCD

- 2.1: Anclaje
- 2.2: Arnés corporal
- 2.3: Conectores/dispositivos de conexión
- 2.4: Dispositivos de desaceleración
- 2.5: Detención de caídas
- 2.6: Restricción contra caídas
- 2.7: Posicionamiento del trabajo
- 2.8: Caída libre
- 2.9: Caída despejada
- 2.10: Caída con balanceo

Sección 3: Uso y limitaciones

- 3.1: Directrices generales
- 3.2: Aplicaciones aprobadas
- 3.3: Aplicaciones restringidas
- 3.4: Aplicaciones especiales
- 3.5: Instalación y uso - Anclajes de vigas con trinquetes/deslizamiento
- 3.6: Instalación y uso - Anclajes de vigas con pasador de retención
- 3.7: Instalación y uso - Anclajes de vigas con posición fija
- 3.8: Instalación y uso - Anclajes de vigas verticales
- 3.9: Instalación y uso - Carrito de viga

Sección 4: Selección del producto

Sección 5: Consideraciones del anclaje

Sección 6: Empleadores y capacitación para usuarios

- 6.1: Notas especiales para el empleador
- 6.2: Capacitación para usuarios

Sección 7: Plan de protección contra caídas

- 7.1: El Plan de protección contra caídas
- 7.2: Trauma por suspensión
- 7.3: Plan de rescate

Sección 8: Inspección del producto

- 8.1: Emisión
- 8.2: Uso diario/incidental
- 8.3: Inspección semestral obligatoria

Sección 9: Mantenimiento y almacenamiento

Sección 10: Especificaciones

- 10.1: Divulgaciones obligatorias
- 10.2: Especificaciones del rendimiento
- 10.3: Etiquetas e indicaciones
- 10.4: Normas y referencias

Listado de productos

Este manual de instrucción hace referencia a la utilización y operación de los productos indicados a continuación. Si tiene alguna pregunta sobre el producto que ha comprado, comuníquese con FallTech para obtener más detalles.

Anclajes de vigas con trinquetes/deslizamiento:

No. de modelo	Descripción	Brida - Ancho	Brida - Grosor máx.
7411	Anclaje de viga de un solo trinquete, de acero inoxidable	4" (10,2 cm) – 12" (30,5 cm)	1" (2,5 cm):
7490	Anclaje de viga de trinquete doble	3-1/2" (8,9 cm) – 13" (33,02 cm)	1-1/4" (8,3 cm)
7530	Anclaje de viga de trinquete doble	4" (10,2 cm) – 14" (35,6 cm)	1-1/4" (3,2 cm)
7531	Anclaje de viga de un solo trinquete	4" (10,2 cm) – 14" (35,6 cm)	1-1/4" (3,2 cm)

Anclajes de vigas con pasador de retención:

No. de modelo	Descripción	Brida - Ancho	Brida - Grosor máx.
7485	Anclaje de viga con pasador de retención, pequeño	3-1/2" (8,9 cm) – 12" (30,5 cm)	1-1/8" (2,6 cm)
7486	Anclaje de viga con pasador de retención, grande	3-1/2" (8,9 cm) – 18" (45,7 cm)	1-1/8" (2,6 cm)

Anclajes de vigas con posición fija:

No. de modelo	Descripción	Brida - Ancho	Brida - Grosor máx.
7487	Anclaje de viga fijo, pequeño	4" (10,2 cm) – 12" (30,5 cm)	1-1/8" (2,6 cm)
7488	Anclaje de viga fijo, grande	4" (10,2 cm) – 18" (45,7 cm)	1-1/8" (2,6 cm)
7533	Anclaje de viga con barra hexagonal, pequeño	3-1/2" (8,9 cm) – 12" (30,5 cm)	1" (2,5 cm):
7534	Anclaje de viga con barra hexagonal, grande	3-1/2" (8,9 cm) – 18" (45,7 cm)	1" (2,5 cm):
7471	Anclaje de viga con gancho en J	6" (15,2 cm) – 16" (40,6 cm)	1-1/2" (3,8 cm)

Anclajes de vigas verticales:

No. de modelo	Descripción	Brida - Ancho	Brida - Grosor máx.
7489	Anclaje de viga vertical:	2-1/2" (6,4 cm) – 12" (30,5 cm)	1-1/2" (3,8 cm)
7535	Anclaje de viga vertical con barra hexagonal	4-1/2" (11,4 cm) – 12" (30,5 cm)	2" (5 cm):
7536	Anclaje de viga vertical con barra hexagonal	10" (25,4 cm) – 12" (61 cm)	2" (5 cm):

Carrito de viga:

No. de modelo	Descripción	Brida - Ancho	Brida - Grosor máx.
7710	Carrito de viga de cabeza	6" (15,2 cm) – 12" (30,5 cm)	1-1/2" (3,8 cm)

Sección 1: Advertencias y avisos

Este producto se debe utilizar como parte de un sistema personal de detención de caídas, y debe utilizarse únicamente con componentes compatibles. Consulte el Aviso No. 3 en esta sección para obtener más detalles. No utilizar componentes compatibles puede resultar en una falla del sistema para funcionar según lo previsto, lo cual puede provocar lesiones graves o la muerte.

En los reglamentos de la OSHA para la seguridad y la salud, hay referencias a las Personas competentes y las Personas calificadas. ANSI Z359.0-2007 define con mayor precisión las funciones y las calificaciones de esas personas, así como las Personas autorizadas, y su importancia en el lugar de trabajo. Estos términos también se utilizan en estas instrucciones. A continuación se presenta una breve descripción del papel de estos individuos en el empleo de equipos de protección contra caídas:

Persona autorizada - una persona que ha estado expuesta a peligros de caídas durante el desarrollo de su trabajo. Este individuo requiere capacitación formal en el uso de equipos y sistemas de protección personal contra caídas. El término "Persona autorizada" puede utilizarse indistintamente con Usuario y Usuario final.

Persona competente – una persona capacitada y experimentada designada para supervisar, implementar y monitorear el programa de protección contra caídas administrado por un empleador. Este individuo es capaz de identificar y abordar peligros de caídas y está facultado para tomar decisiones y adoptar medidas correctivas en el lugar de trabajo.

Persona calificada – una persona que posee un título o certificado profesional y cuenta con una amplia formación, conocimientos y experiencia en protección contra caídas, y es capaz de diseñar y especificar equipos y sistemas de protección contra caídas para abordar los peligros de caídas.

Lea estas instrucciones y asegúrese de comprenderlas antes de utilizar este equipo. También asegúrese de leer las instrucciones incluidas en otros componentes que están siendo utilizados en su Sistema personal de detención de caídas (arneses, conectores, conectores de anclaje, etc.). No comprender ni cumplir con las instrucciones del fabricante puede ocasionar lesiones graves o la muerte. SI NO ENTIENDE ALGUNA PARTE DE ESTAS INSTRUCCIONES, PIDA A UNA PERSONA COMPETENTE QUE SE LAS EXPLIQUE.

Este producto debe ser utilizado como parte de un sistema completo de detención de caídas en conformidad con las mejores prácticas reconocidas en la industria y el plan de protección contra caídas de su empleador, según lo requiera la Administración de Seguridad y Salud Ocupacional (OSHA, por sus siglas en inglés). Conozca el plan de protección contra caídas y el plan de rescate de su empleador. Conozca los peligros de caídas específicos en su lugar de trabajo, y trabaje de manera deliberada para evitar estos peligros en el desarrollo de su trabajo. También conozca los peligros y las obstrucciones en su descenso de caída, y trabaje con su empleador para eliminar estos peligros cuando sea posible. No conocer y abordar estos riesgos pueden ocasionar lesiones graves o la muerte.

Qué hacer y qué no hacer

- **Sí utilice este dispositivo sólo con componentes compatibles de un sistema completo de detención de caídas.**
- **Sí utilice este dispositivo sólo en un sistema que limite la distancia de caída libre a 6 pies (1,8 m) o menos.**
- **Sí use este dispositivo con extrema precaución cuando lo arme.**
- **Sí monte este dispositivo para evitar los peligros del "caída con balanceo" (ver Sección 2.9)**
- **Sí utilice este dispositivo sólo cuando su distancia despejada es un mínimo de 2 pies (0,6 m) DESPUÉS de haber calculado la distancia de caída total (ver sección 2.10 para los detalles sobre las distancias de caída despejada).**
- **Sí realice conexiones compatibles (ver Aviso No. 3 al final de esta sección).**
- **Sí llame a FallTech si el dispositivo está dañado, no pasa la inspección (ver Sección 8), o ha detenido una caída.**

- **No utilice este componente para izar materiales o equipos.**

- **No** utilice este dispositivo si presenta evidencias de corrosión o daño por exposición a químicos, calor excesivo, llamas y carga eléctrica o muestra signos de cualquier daño físico o deformación.
- **No** utilice este equipo si hay signos de desgaste excesivo, deterioro, deformación o corrosión.
- **No** utilice este equipo si trabaja cerca de líneas eléctricas de alto voltaje o de otro equipo eléctrico energizado.
- **No** utilice cerca de maquinarias en movimiento que puedan enredarse con cualquier componente del sistema.
- **No** utilice aceite para lubricar piezas móviles. Si se necesita la lubricación, en primer lugar asegúrese de limpiar todas las piezas móviles; luego utilice sólo lubricante de silicona al 100%.
- **No** utilice este dispositivo si expondrá algún elemento de su Sistema personal de detención de caídas (PFAS) a bordes afilados o dentados.
- **No** utilice este dispositivo si está embarazada, si es menor de edad, o tiene una tolerancia reducida a las fuerzas de caída por razón de edad, afección médica física, u otras afecciones preexistentes.
- **No** utilice este dispositivo si usted pesa menos de 75 libras (34 kg).
- **No** use este dispositivo si su peso total combinado (cuerpo, ropa, herramientas, etc.) supera 425 libras (140,6 kg).
- **No** intente modificar, reparar o alterar este dispositivo en alguna manera.
- **No utilice este equipo si se ha utilizado para detener una caída. Si se ha utilizado para detener una caída, este dispositivo debe ser retirado de servicio y remplazarse inmediatamente.**

Aviso No. 1: Lectura adicional

Si tiene acceso a Internet, visite www.osha.gov. Este sitio web es un recurso excepcional, y tiene una gran cantidad de información de fácil acceso. Utilice el campo de búsqueda para encontrar información sobre detención de caídas, incluyendo normas, noticias, interpretaciones y otras herramientas valiosas. Mientras más conozca acerca de cómo funciona este producto y cómo se debe utilizar, tendrá mayor seguridad en el desarrollo de su trabajo.

Aviso No. 2: Selección adecuada de los productos

La selección de productos es un importante elemento de la protección contra caídas. Los productos de detención de caídas son como cualquier otra herramienta que usted puede utilizar en el desarrollo de su trabajo – hay una herramienta adecuada para cada aplicación. Usted puede encontrar que, si bien este producto es apto para algunas aplicaciones, puede no ser adecuado para otras. Asegúrese de prestar especial atención a las secciones 2, 3 y 4, para mayores detalles sobre este punto.

Aviso No. 3: Compatibilidad de conectores

Hacer conexiones compatibles puede significar la diferencia entre la vida y la muerte. Los conectores (ganchos de cierre instantáneo, ganchos de refuerzo y mosquetones) deben ser del tipo bloqueador y requerir dos acciones distintas para abrir la compuerta. Los conectores deben tener el tamaño y la forma adecuados para que los anillos o los miembros estructurales a los que están conectados no constituyan un riesgo de forzar la apertura de la compuerta, y deben fijar completamente al conector para que no se afloje, deslice o cambie durante su uso o en el caso de una caída.

Ciertas conexiones están prohibidas y nunca se deben intentar con este producto o cualquier otro a menos que exista un permiso específico en las instrucciones del fabricante. Las conexiones prohibidas incluyen entre otras:

- Dos o más conectores a un anillo en "D" son una conexión prohibida.
- Una conexión que se apoye o constituya una carga en la compuerta es una conexión prohibida.
- Una conexión que no permita que se cierre y bloquee la compuerta es una conexión prohibida.
- Dos o más conectores conectados entre sí son una conexión prohibida.
- Conectar directamente a una correa, cuerda, cable (cable de acero) es una conexión prohibida.
- Conectarse directamente a una cuerda de salvamento horizontal es una conexión prohibida.
- Atar con su *FallTech SAL* es una conexión prohibida, excepto para los modelos # 7241, 7241Y, 8241 y 8241Y en la serie *WrapTech*.

- **La conexión a cualquier anillo o estructura que no quede totalmente fija, y restrinja completamente el movimiento de su conector es una conexión prohibida.**

Sección 2: El ABCD

Cada Sistema personal de detención de caídas consta de cuatro elementos básicos: anclaje, arnés corporal, conectores/dispositivos de conexión y dispositivos de desaceleración. Cada uno de estos cuatro elementos se analiza con mayor detalle a continuación. Si, después de haber leído esta sección, usted no comprende completamente estos elementos y cómo funcionan en conjunto para formar un sistema de detención de caídas compatible, asegúrese de que una Persona competente se lo explique.

Es absolutamente esencial que usted esté familiarizado con el uso apropiado de cada componente de su Sistema personal de detención de caídas (PFAS, por sus siglas en inglés). No leer, comprender y cumplir con los materiales de instrucción y advertencias proporcionados con cada uno de estos componentes podría causar un fracaso catastrófico de su PFAS, lo cual resultaría en lesiones graves o la muerte.

2.1: Anclaje

La selección de un punto de anclaje y conector de anclaje es crucial para el funcionamiento exitoso de cualquier Sistema personal de detención de caídas (PFAS, por sus siglas en inglés). La OSHA 1926.502 (d) (15) dispone lo siguiente:

"Los anclajes utilizados para conectar los equipos personales de detención de caídas deberán ser independientes de cualquier anclaje que se utilice para apoyar o suspender plataformas y deberán ser capaces de soportar por lo menos 5.000 libras (2,268 kg) por empleado conectado, o se deberán diseñar, instalar y utilizar de la siguiente manera: como parte de un sistema personal completo de detención de caídas que mantenga un factor de seguridad de por lo menos dos; y esté bajo la supervisión de una persona calificada".

Asegúrese de que la estructura a la cual está conectando su conector de anclaje cumpla con los requisitos antes indicados y que su conector de anclaje esté instalado de acuerdo con las instrucciones del fabricante. También asegúrese de verificar que el conector de anclaje es compatible con su dispositivo de conexión (cuerda, SRL, cuerda de salvamento vertical) y que retiene su dispositivo de conexión de manera segura sin inhibir su función. Si no puede determinar si el dispositivo de

conexión y su anclaje son compatibles, consulte inmediatamente a una persona competente o a su supervisor inmediato. Para obtener más detalles sobre los anclajes, consulte la sección 5 de este manual de instrucciones.

2.2: Arnés corporal

El arnés corporal para cualquier aplicación donde se utilice este Anclaje de viga se definirá como un arnés de cuerpo completo, fabricado especialmente para la detención de caídas. Si se va a utilizar para aplicaciones de restricción en las que el usuario estará restringido de llegar a un peligro de caída, se puede utilizar una correa para el cuerpo como alternativa. Asegúrese de leer y seguir las instrucciones del fabricante incluidas con el arnés de cuerpo completo o correa de restricción en el momento de la compra.

2.3: Conectores/dispositivos de conexión

Los conectores y dispositivos de conexión son términos que a veces se utilizan indistintamente. Es importante destacar las diferencias entre estos dos términos con el fin de ayudar a distinguir el papel que estos componentes tienen en el montaje de su PFAS. En ambos casos, estos productos/componentes son necesarios para tener una mínima resistencia estática de 5.000 libras (2.268 kg). Para obtener información adicional sobre los requisitos para los conectores y dispositivos de conexión, consulte la norma 1926.502 de la OSHA en www.osha.gov según se indica en la Sección 1 del Aviso No. 1.

Un **conector** es un elemento metálico mecánico tal como un mosquetón, gancho de cierre instantáneo o gancho de refuerzo que conecta físicamente uno o más elementos de su PFAS de una manera que continúen conectados entre sí, a menos que sean desconectados intencionalmente.

Un **dispositivo de conexión** es un elemento que conecta su arnés de cuerpo completo al anclaje en un esfuerzo por asegurarse de que usted permanezca conectado o amarrado a la estructura en la cual trabaja. En otras palabras, el dispositivo de conexión es el elemento que lo asegura a su sistema de anclaje.

2.4: Dispositivos de desaceleración

Un **dispositivo de desaceleración** es el elemento de un Sistema personal de detención de caídas (PFAS, por sus siglas en inglés) que se

activa durante un evento de caída y reduce las fuerzas ejercidas sobre el cuerpo del usuario y en el anclaje durante la detención de la caída. En el caso de las Cuerdas de salvamento con amortiguación y las Cuerdas de salvamento auto-retráctiles, estos productos son un dispositivo de conexión y de desaceleración, pues lo mantendrán conectado a su anclaje y reducirán las fuerzas sobre su cuerpo en caso de una caída.

2.5: Detención de caídas

La **Detención de caídas** es un área de la protección contra caídas que se enfoca en detener una caída una vez que ha ocurrido. Los Sistemas personales de detención de caídas normalmente consisten en un anclaje, un arnés de cuerpo completo y una cuerda de salvamento auto-retráctil, un cordón con amortiguación u otro dispositivo de desaceleración diseñado para detener a un usuario en caída en la distancia más corta posible mientras que limita la fuerza ejercida en el cuerpo del usuario.

2.6: Restricción contra caídas

La **Restricción contra caídas** es un área de protección contra caídas dedicada a restringir al usuario del sistema de una manera que restrinja su acceso al peligro de caída en una forma que no pueda ser objeto de una caída. Un típico Sistema de restricción contra caídas consta de un anclaje, un arnés de cuerpo completo o una correa de restricción y un cordón de sujeción. Nunca se debe utilizar una cuerda de salvamento con amortiguación o una cuerda de salvamento auto-retráctil en una aplicación de restricción, ya que no es capaz de restringir el acceso del usuario a los peligros de caídas.

2.7: Posicionamiento del trabajo

El **Posicionamiento del trabajo** es un área de protección contra caídas dedicada a permitir que el usuario trabaje sobre una superficie vertical a través de un ensamblaje de posicionamiento, y restringe la exposición del usuario a una caída de no más de dos pies (0.6 m). Los ensamblajes típicos de posicionamiento consisten en un gancho de refuerzo grande y una longitud de cadena, cuerda, cable o correa con un gancho doble de cierre instantáneo en cualquiera de los extremos. Estos ganchos de cierre instantáneo se conectan a los anillos en "D" en las caderas o en la cintura del arnés de cuerpo completo del usuario, con el gancho de refuerzo conectado a la estructura en la cual el usuario está trabajando. Nunca debe utilizarse una SAL o SRL para el posicionamiento del trabajo, ni se debe conectar a un anillo en "D" colocado a un lado o en la cadera de un arnés de cuerpo completo. Sin

embargo, mientras esté conectado para el posicionamiento del trabajo, el usuario siempre debe tener una SAL o SRL acoplada al anillo en "D" de la parte trasera de su arnés de cuerpo completo y atada a la estructura en la cual se está posicionando como un dispositivo de respaldo.

2.8: Caída libre

La caída libre es la distancia a la cual el trabajador caerá antes de que el dispositivo de conexión o los elementos del dispositivo de desaceleración del PFAS comiencen a participar en un evento de caída. La OSHA permite una distancia máxima de caída libre de 6 pies (1,8 m) cuando se utiliza un Sistema personal de detención de caídas (PFAS, por sus siglas en inglés). En algunos casos, se pueden conceder excepciones cuando no existe una manera práctica de limitar la distancia de caída libre a 6 pies (1,8 m), por ejemplo en un sitio de trabajo donde no hay un punto de anclaje por encima de la cabeza disponible. Atar de manera que se cree una caída libre superior a 6 pies (1,8 m) siempre debe ser el último recurso. Si está conectando un sistema que permite más de 6 pies (1,8 m) de caída libre, asegúrese de que el dispositivo de conexión/desaceleración esté calificado para esta aplicación.

2.9: Caída despejada

La caída despejada o la distancia de caída despejada es la distancia necesaria para detener con seguridad la caída de un usuario. Cuando se trabaja en alturas y utilizando un sistema personal de detención de caídas, es importante considerar la distancia entre el nivel para caminar/de trabajo y el siguiente nivel inferior para asegurar que los componentes seleccionados sean capaces de detener la caída del usuario antes de que llegue al siguiente nivel inferior. La distancia de caída despejada requerida se puede calcular fácilmente al sumar la distancia de caída libre, la distancia de desaceleración, la altura del usuario más un factor de seguridad de 2 pies (0,6 m). La fórmula para calcular la distancia de caída despejada se muestra a continuación:

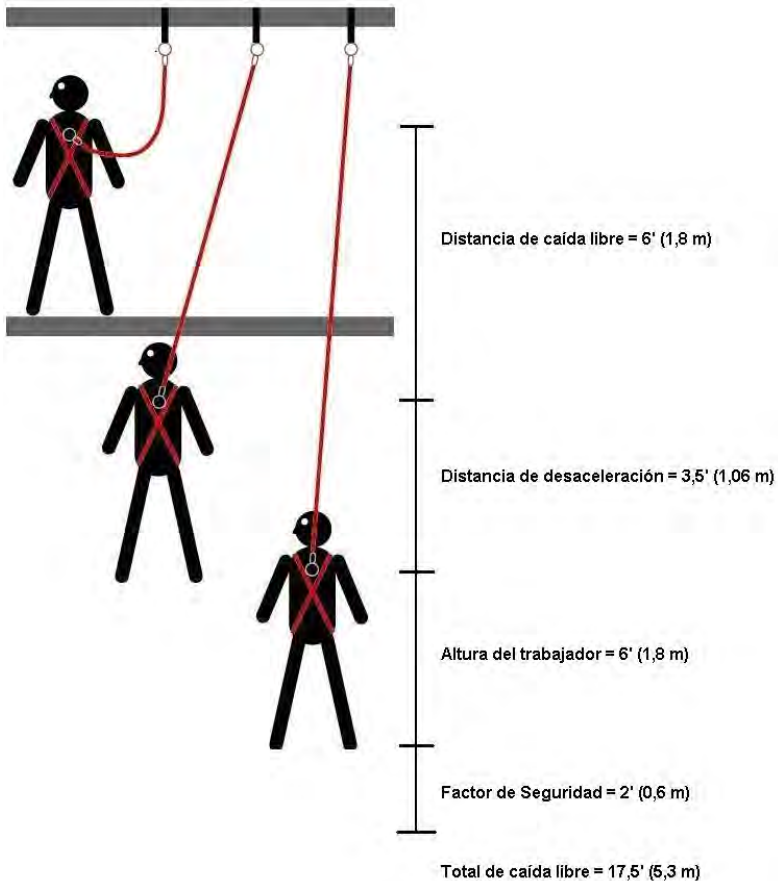
Distancia de caída libre + Distancia de desaceleración + Altura del trabajador + Factor de seguridad = Distancia de caída despejada

La siguiente matriz puede utilizarse como una guía para calcular la distancia de caída despejada en su lugar de trabajo:

	Valores de ejemplo	Valores reales
Distancia de caída libre (La OSHA permite hasta 6 pies [1,8 m])	6' (1,8 m)	
Distancia de desaceleración (Típicamente 3.5 pies [1,06 m] o menos)	3,5' (1,06 m)	
Altura del trabajador	6' (1,8 m)	
Factor de seguridad (Mínimo 2' [0,6 m])	2' (0,6 m)	
Total (Suma de todos los valores)	17,5' (5,3 m)	

Ver la figura 2.1 en la siguiente página para una ilustración gráfica de la distancia de caída libre y el método para calcularla. También es necesario considerar el trayecto de caída al determinar las limitaciones de caída despejada en su aplicación. Asegúrese de que el trayecto de caída está libre de obstrucciones, salientes, equipos o materiales que pueden ser un peligro en caso que ocurra una caída. Preste especial atención a los artículos que puedan presentar un peligro de empalamiento. Las obstrucciones en el trayecto de caída pueden ser tan peligrosas como la caída, y es posible que su sistema personal de detención de caídas no pueda protegerlo de estos peligros. No despejar el trayecto de caída puede ocasionar lesiones graves o la muerte. Ensamble su PFAS con extremo cuidado y sea consciente de todos los factores que pueden intervenir en el caso de una caída.

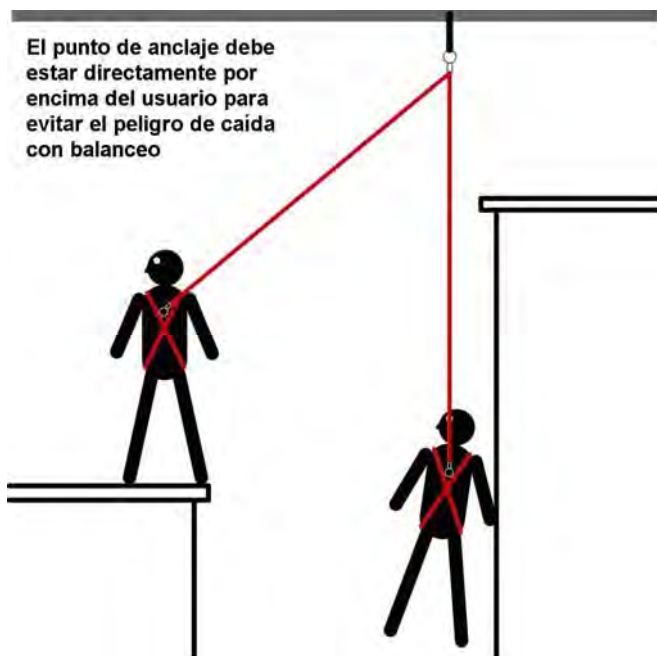
Figura 2.1: Diagrama de caída despejada



2.10: Caída con balanceo

La caída con balanceo es el fenómeno que se produce cuando el usuario cae desde un lugar que no está directamente adyacente, o directamente por debajo del conector de anclaje. Esto también se conoce como el "efecto péndulo", y puede resultar en una situación en la que el usuario no sólo cae verticalmente, sino que también se balancea horizontalmente. Esto puede ocasionar peligros adicionales, por ejemplo, puede balancearse hacia una obstrucción o elemento estructural, causando lesiones graves (ver figura 2.2). Una caída significativa con balanceo también puede requerir una mayor distancia de caída despejada. Como regla general, debe garantizar que el trabajo en un área no se exceda de un ángulo superior a 15 grados en cualquier dirección desde su anclaje.

Figura 2.2: Diagrama de caída con balanceo



Asegúrese de tomar en cuenta la caída con balanceo al calcular sus requisitos de caída despejada y verificar el trayecto de caída para peligros e instrucciones. No hacerlo puede ocasionar lesiones graves o la muerte. Si usted tiene alguna pregunta sobre la caída libre, la caída despejada, la caída con balanceo u otros peligros en el trayecto de caída, asegúrese de ponerse en contacto con *FallTech* o consultar a una persona competente o a su supervisor directo en su sitio de trabajo.

Sección 3: Uso y limitaciones

Esta sección trata sobre el uso general y las limitaciones de los *Anclajes de viga de FallTech*. Lea esta sección y todas las secciones de este manual de manera cuidadosa. Si su aplicación no está incluida o si tiene preguntas acerca de sus necesidades específicas, póngase en contacto con *FallTech* inmediatamente para obtener orientación adicional.

3.1: Directrices generales

Cuando esté instalado y se utilice de manera apropiada, este *Anclaje de viga de FallTech* proporcionará un anclaje seguro para un solo

usuario (las excepciones a esta regla son los Anclajes de vigas verticales 7489 y 7535 , que pueden ser utilizados como conectores de anclaje para varios usuarios en conjunción con los sistemas HLL temporal de cuerda de verificación y PSR de FallTech - consultar la sección 3.8 de este manual para obtener más detalles). Cuando el usuario esté trabajando mientras está atado a este **Anclaje de viga**, su Sistema personal de detención de caídas (PFAS) estará conectado de manera segura a la estructura.

Antes de utilizar este producto, el usuario debe recibir capacitación sobre el uso de productos de detención de caídas y debe haber completado un curso de instrucción mínima (4-8 horas) sobre la Capacitación para *personas autorizadas*, según se indica en ANSI Z359.2-2007. El usuario también debe leer y estar familiarizado con todos los materiales contenidos en este manual de instrucciones, así como todas las etiquetas y advertencias colocadas al **Anclaje de viga de FallTech**. Si tiene alguna pregunta acerca del uso o la operación de este producto, póngase en contacto con *FallTech*, con una persona competente, o su supervisor inmediato antes de utilizarlo.

Este producto debe ser inspeccionado antes de cada uso. Para obtener más detalles sobre los procedimientos de inspección adecuados, consulte la sección 8 de este manual. Si este producto no pasa la inspección, debe retirarse de servicio inmediatamente y se debe sustituir.

Este **Anclaje de viga de FallTech** está diseñado para utilizarse como parte de un Sistema personal de detención de caídas y está conformado por el elemento de Anclaje de su PFAS (consulte la sección 2 de este manual para aclarar estos términos). Este producto está diseñado para ser conectado a una Viga horizontal en "I" o "H" (los modelos Nos. 7489 y 7535 también pueden ser conectados a vigas verticales) con el fin de proporcionar un anclaje seguro para su PFAS.

Su **Anclaje de viga** debe estar por encima de la cabeza, en la parte inferior de la brida de la viga o conectado en una manera que la caída libre esté restringida a no más de 6 pies (1,8 m). En los casos en que no haya manera de limitar la caída libre a 6 pies (1,8 m), o donde no haya acceso a una brida de la viga inferior o por encima de la cabeza, se pueden utilizar algunos modelos de anclajes de viga colocados en una brida de la viga superior, siempre que la caída libre esté restringida a un máximo de 12 pies (3,7 m). Cuando esté colocado para una caída libre mayor a 6 pies (1,8 m), su Anclaje de viga de FallTech debe utilizarse con una cuerda de la serie Ironman de FallTech (7247, 7247Y, 8247 y 8247Y). Asegúrese de revisar el diagrama de caída despejada y la hoja de trabajo en la sección 2.9 de este manual.

Este producto cumple con los requisitos de la OSHA 1926.502, así como de ANSI Z359.1-2007 y/o ANSI A10.32-2004. Para obtener más información sobre estos requisitos, visite www.osha.gov para revisar los requisitos de la OSHA. Puede encontrar copias de las normas ANSI en www.asse.org en la tienda de normas electrónicas.

3.2: Aplicaciones aprobadas

A continuación se presentan las aplicaciones para las cuales su *Anclaje de viga de FallTech* está específicamente adaptado. Esta lista no es integral, sino que está destinada a anticipar las aplicaciones más comunes en las cuales este producto se puede utilizar. Si tiene preguntas acerca de si este producto es apto para su aplicación en particular, consulte a una persona competente o comuníquese con *FallTech* para recibir asesoramiento.

Asegúrese de consultar la Sección 5 de este manual de instrucciones para más detalles sobre las consideraciones de anclaje, tal como el anclaje y su relación con la superficie de caminar/trabajar, pues será un factor importante para determinar la idoneidad y puede contribuir con el resultado de un evento de caída. El uso de un punto de anclaje que no esté calificado adecuadamente podría conducir a un fracaso catastrófico de su sistema personal de detención de caídas, lo cual puede resultar en lesiones graves o la muerte.

No. de modelo	Montaje por encima de la cabeza	Montaje a nivel de los pies	Caída libre extendida	Montaje vertical	Un solo usuario	HLL/ Varios usuarios
7411	R	NR	NR	NR	R	NR
7490	R	NR	NR	NR	R	NR
7531	R	NR	NR	NR	R	NR
7530	R	R	R	NR	R	NR
7485	R	NR	NR	NR	R	NR
7486	R	NR	NR	NR	R	NR
7487	R	NR	NR	NR	R	NR
7488	R	NR	NR	NR	R	NR
7533	R	R	R	NR	R	NR
7534	R	R	R	NR	R	NR
7471	R	NR	NR	NR	R	NR
7489	R	R	R	R	R	R
7535	R	R	R	R	R	R
7710	R	NR	NR	NR	R	NR

R = recomendado
NR = No recomendado

Aplicaciones directas por encima del nivel de la cabeza: Todos los **Anclajes de vigas de FallTech** son adecuados para su uso en cualquier aplicación donde el anclaje calificado adecuado está directamente sobre la superficie de caminar/trabajar, y permite una distancia máxima de caída libre de 6 pies (1,8 m).

Cuerdas de salvamento horizontales: Los Modelos Nos. 7489 y 7535 son aptos para su utilización como conectores de anclaje en conjunción con el Sistema HLL temporal PSR de FallTech y con nuestro Sistema HLL temporal de 4 hombres con cuerda de verificación.

Si tiene alguna pregunta acerca de la idoneidad de este producto para su aplicación específica, consulte a una persona competente o comuníquese con *FallTech* antes de usarlo. El uso indebido de este producto podría ocasionar lesiones graves o la muerte.

Advertencia: La brida de viga a la cual conecta este producto no debe tener el extremo abierto. Si la brida está abierta en cualquiera de los extremos, y el Anclaje de viga no está conectado a la brida, no intente utilizar este dispositivo, ya que existe un grave riesgo de separación accidental. ¡Podría ocasionar lesiones graves o la muerte!

3.3: Aplicaciones restringidas

Ambientes químicos muy agresivos: Los ácidos y otros químicos cáusticos pueden causar daños a este **Anclaje de viga** y a sus componentes. Los daños por exposición a químicos pueden ser difíciles de detectar y *FallTech* recomienda una mayor inspección y/o el reemplazo frecuente.

Construcción residencial: Este producto no es apto para su uso en aplicaciones de construcción residencial.

Escalada/escaleras fijas: No intente fijar este producto en una escalera fija para ser utilizado en conjunción con cualquier otro tipo de equipo para los propósitos de escalada o detención de caídas.

Caídas libres extendidas: La mayoría de los **Anclajes de vigas** de *FallTech* están calificados para resistir las fuerzas relacionadas con las caídas libres extendidas o el amarre al nivel de los pies. Se debe tener cuidado para asegurarse de que la viga no tenga contacto directo con la compuerta o el sujetador en su dispositivo de conexión. Dicho contacto directo podría dar como resultado el rodamiento o desconexión forzados de su dispositivo de conexión. En caso de duda, una agarradera de FallTech modelo No. 7214 puede utilizarse para ampliar la conexión a fin

de asegurarse de que su dispositivo de conexión está protegido desde el borde de la brida de la viga. Consulte la Sección 3.5 para obtener información adicional. Asegúrese de usar un dispositivo de conexión que esté calificado para caídas libres de más de 6 pies (1,8 m) (por ejemplo, 7247, 7248, 8247, 8248).

Soldadura/transmisión de energía: Los **Anclajes de vigas** de FallTech están fabricados con materiales que soportan altas temperaturas. Debe tener cuidado para asegurarse de que los otros elementos de su PFAS son capaces de resistir temperaturas y/o peligros eléctricos. Instale este anclaje y conecte su PFAS de manera que pueda reducir y/o eliminar la exposición a estos peligros.

3.4: Aplicaciones especiales

Peso pesado: Los **Anclajes de vigas** de FallTech tienen una capacidad máxima de 425 libras (192,8 kg). Para los usuarios con un peso entre 310 libras (140,6 kg) y 425 libras (192,8 kg) (con ropa, herramientas y equipos), asegúrese de utilizar este producto junto con un arnés corporal y dispositivos de conexión que estén clasificados de manera apropiada (las SAL de peso pesado de FallTech son de color negro y están marcadas con números de modelo que empiezan por 7246 o 8246).

Bajo ninguna circunstancia un usuario con un peso superior a 310 libras (140,6 kg) debe ser sometido a más de 6 pies (1,8 m) de caída libre.

Caídas libres extendidas: Se debe tener especial cuidado para las aplicaciones donde la caída libre no puede limitarse a 6 pies (1,8 m) o menos, o en el caso de que el punto de anclaje esté en la superficie de caminar/trabajar (amarre a nivel de los pies). Consultar las secciones 3.3 y 3.5 - 3.9 para obtener más detalles, instrucciones y advertencias. Para estas aplicaciones, *FallTech* ofrece su serie de cuerdas de salvamento Ironman, las cuales están calificadas para caídas libres de hasta 12 pies (3,7 m), con una capacidad máxima de 310 libras (140,6 kg).

3.5: Instalación y uso - Anclajes de vigas con trinquetes/deslizamiento

1. Seleccione el **Anclaje de viga con trinquete/deslizamiento de FallTech** apropiado, con base en las condiciones de trabajo y los peligros específicos (consultar la Sección 3.2 para obtener recomendaciones).

2. Lea, comprenda y cumpla con las instrucciones del fabricante para cada uno de los componentes de su sistema personal de detención de caídas (arnés de cuerpo completo, dispositivos de conexión, conectores de anclaje, etc.). Asegúrese de elegir los componentes que son compatibles con este **Anclaje de viga**. Si tiene preguntas acerca del producto o la compatibilidad de los componentes, asegúrese de ponerse en contacto con *FallTech* para obtener instrucciones adicionales.
3. Calcule los posibles peligros de caídas con balanceo, distancia total de caída, y distancia despejada requerida. Si tiene un peligro de caída con balanceo o no tiene la distancia despejada requerida, DETÉNGASE y reevalúe su aplicación y sistema. Su ubicación del trabajo nunca debe excederse de un ángulo de 15 grados en cualquier dirección en relación con la ubicación de su anclaje.
4. Inspeccione este **Anclaje de viga**, y todos los componentes de su Sistema personal de detención de caídas (PFAS, por sus siglas en inglés) de conformidad con la Sección 8 de este manual. **Asegúrese de consultar y seguir los materiales de instrucción, las etiquetas y las advertencias que acompañan a los otros componentes de su PFAS.**
5. Apriete el pestillo o pestillos y deslice la pinza o pinzas hacia afuera lo suficiente para permitir que la brida quede entre las pinzas.
6. Coloque el Anclaje de viga con trinquete/deslizamiento sobre la viga para que ambas pinzas se extiendan por encima de la brida.
7. Apriete el pestillo o pestillos y mueva la pinza o pinzas hacia el anillo en "D" (el cual debe estar centrado en la viga) hasta que hagan contacto con la brida de la viga. Suelte los pestillos y asegúrese de que éstos tengan los dientes sujetos completamente en la barra.
8. Compruebe que la distancia máxima total entre las pinzas y la brida de la viga no sea superior a media pulgada (o el espacio de un diente en la barra).
9. Verifique su instalación para garantizar que el Anclaje de viga con trinquete/deslizamiento no pueda desprenderse de la viga en cualquier punto del trayecto del movimiento o en las articulaciones o extremos de la viga.
10. Asegúrese de que el arnés de cuerpo completo esté colocado y ajustado correctamente y que su dispositivo de conexión está conectado de manera segura al anillo en "D" en la espalda. Acople al Anclaje de viga con trinquete/deslizamiento con su dispositivo de conexión.
11. Proceda con su trabajo con cautela. No corra, salte ni se estire para llegar a un punto específico. Mientras se mueve, el Anclaje

de viga con trinquete/deslizamiento debe deslizarse en la viga, permitiéndole una mayor movilidad. Si no se desliza con fluidez, verifique para asegurarse de que el anillo en "D" en el Anclaje de la viga está centrado en la misma. También verifique para ver si hay bordes dentados, sujetadores dentados, acumulación de pintura, salpicaduras de soldadura u otras obstrucciones.

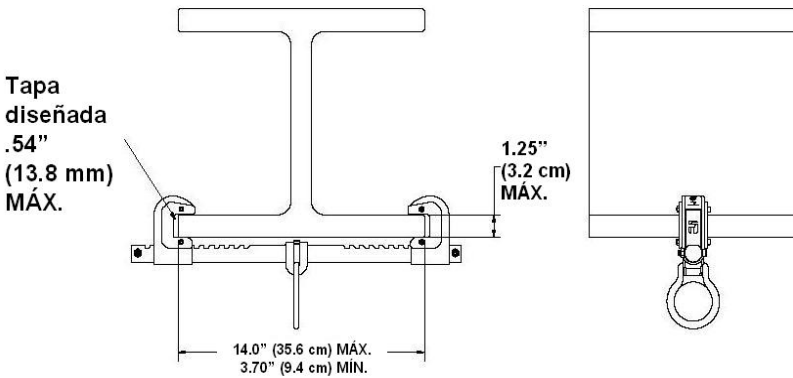
Cualquier tipo de obstrucción o movimiento brusco puede ocasionar que el Anclaje se agarrote en la viga, causando que usted pierda su equilibrio. Muévase con prudencia y cuidado en todo momento mientras trabaja en alturas.

12. No permita que su dispositivo de conexión pase por debajo de su brazo o entre sus piernas, pues pueden ocurrir lesiones graves o la muerte. También evite los bordes afilados que pueden dañar su dispositivo de conexión en el caso de una caída.
13. Si la viga a la cual se conecta este anclaje está inclinada o en posición vertical, el Anclaje de viga debe ser ubicado junto a una parada la cual evitará que el Anclaje se deslice o mueva en el caso de una caída. Las articulaciones entre las secciones de la viga deben estar niveladas y deben tener una distancia máxima de ½" (1,3 cm).
14. Si usted está atado al nivel de los pies, o en una forma que permitirá más de 6 pies (1,8 m) de caída libre, asegúrese de que su dispositivo de conexión esté calificado para caídas libres extendidas. También asegúrese de que la compuerta de su mosquetón o gancho de cierre instantáneo que está conectado al anclaje de viga no tenga contacto directo con el borde de la brida de la viga, con cualquier parte del Anclaje de la viga, o cualquier otra obstrucción. Dicho contacto puede forzar un rodamiento o desconexión accidental. En caso de duda, puede utilizar una agarradera de FallTech modelo No. 7214 para extender su conexión. Conecte la Agarradera 7214 al anillo en "D" en su Anclaje de viga, y luego conecte su dispositivo de conexión al anillo en "D" en la agarradera. Esto ayudará a mantener la compuerta de su conector lejos de cualquier peligro potencial.

Una vez que se han tomado las medidas anteriores, el usuario tendrá acceso a su área de trabajo mientras camina y se mueve a velocidades normales. ¡Es importante no hacer movimientos bruscos o aparatosos! Cuando se utiliza el equipo, debe tenerse cuidado para estar consciente del ambiente de trabajo y de cualquier peligro, obstrucciones u obstáculos que puedan existir. Debe tener cuidado con todos los peligros de caídas y también tener presente los peligros de resbalones y tropiezos.

Fig. 3.1

Instalación correcta del Anclaje de viga con trinquete/deslizamiento



3.6: Instalación y uso - Anclajes de vigas con pasador de retención

1. Seleccione el **Anclaje de viga con trinquete/deslizamiento de FallTech** apropiado, con base en las condiciones de trabajo y los peligros específicos (consultar la Sección 3.2 para obtener recomendaciones).
2. Lea, comprenda y cumpla con las instrucciones del fabricante para cada uno de los componentes de su sistema personal de retención de caídas (arnés de cuerpo completo, dispositivos de conexión, conectores de anclaje, etc.). Asegúrese de elegir los componentes que son compatibles con este **Anclaje de viga**. Si tiene preguntas acerca del producto o la compatibilidad de los componentes, asegúrese de ponerse en contacto con **FallTech** para obtener instrucciones adicionales.
3. Calcule los posibles peligros de caídas con balanceo, distancia total de caída, y distancia despejada requerida. Si tiene un peligro de caída con balanceo o no tiene la distancia despejada requerida, **DETÉNGASE** y reevalúe su aplicación y sistema. Su ubicación del trabajo nunca debe excederse de un ángulo de 15 grados en cualquier dirección en relación con la ubicación de su anclaje.
4. Inspeccione este **Anclaje de viga**, y todos los componentes de su Sistema personal de detención de caídas (PFAS, por sus siglas en inglés) de conformidad con la Sección 8 de este manual. **Asegúrese de consultar y seguir los materiales de instrucción, las etiquetas y las advertencias que acompañan a los otros componentes de su PFAS.**

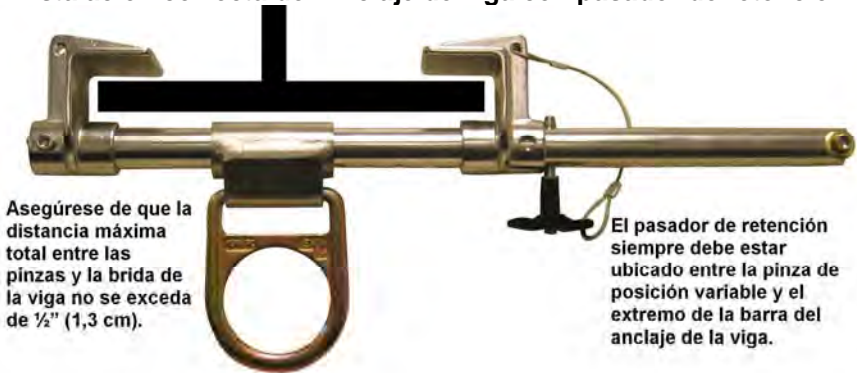
5. Retire el pasador de retención de la pinza de posición variable y deslícelo lejos del anillo en "D" lo suficiente como para permitir que la brida de la viga quede entre las pinzas.
6. Coloque el Anclaje de viga con trinquete/deslizamiento por debajo de la brida inferior de la viga para que ambas pinzas se extiendan por encima de la brida.
7. Deslice la pinza de posición variable hacia el anillo en "D" hasta que ambas pinzas estén en contacto directo con la brida de la viga. Sujete la pinza de posición variable en su lugar al insertar el pasador de retención a través del agujero directamente adyacente a la pinza de posición variable en el lado opuesto de la pinza del anillo en "D". **Nota: El pasador de retención siempre debe estar en la parte exterior de la pinza de posición variable, entre la pinza y el extremo de la barra del anclaje de la viga. (Ver figura 3.2)**
8. Compruebe que la distancia máxima total entre las pinzas y la brida de la viga no sea superior a media pulgada (o el espacio de un agujero en la barra).
9. Verifique su instalación para garantizar que el Anclaje de viga con pasador de retención no pueda desprenderse de la viga en cualquier punto del trayecto del movimiento o en las articulaciones o extremos de la viga. **Asegúrese de que la pinza de posición variable está bloqueada en su lugar por el pasador de retención.**
10. Asegúrese de que el arnés de cuerpo completo esté colocado y ajustado correctamente y que su dispositivo de conexión está conectado de manera segura al anillo en "D" en la espalda. Acople al Anclaje de viga con pasador de retención con su dispositivo de conexión.
11. Proceda con su trabajo con cautela. No corra, salte ni se estire para llegar a un punto específico. Mientras se mueve, el Anclaje de viga con pasador de retención debe deslizarse en la viga, permitiéndole una mayor movilidad. Si no se desliza con fluidez, verifique para asegurarse de que el anillo en "D" en el Anclaje de la viga está centrado en la misma. También verifique para ver si hay bordes dentados, sujetadores dentados, acumulación de pintura, salpicaduras de soldadura u otras obstrucciones. **Cualquier tipo de obstrucción o movimiento brusco puede ocasionar que el Anclaje se agarrote en la viga, causando que usted pierda su equilibrio. Muévase con prudencia y cuidado en todo momento mientras trabaja en alturas.**
12. No permita que su dispositivo de conexión pase por debajo de su brazo o entre sus piernas, pues pueden ocurrir lesiones graves o la muerte. También evite los bordes afilados que pueden dañar su dispositivo de conexión en el caso de una caída.

13. Si la viga a la cual se conecta este anclaje está inclinada o en posición vertical, el Anclaje de viga debe ser ubicado junto a una parada la cual evitará que el Anclaje se deslice o mueva en el caso de una caída. Las articulaciones entre las secciones de la viga deben estar niveladas y deben tener una distancia máxima de $\frac{1}{2}$ " (1,3 cm).
14. **Los Anclajes de viga con pasador de retención (modelos Nos. 7485 y 7486) nunca deben ser utilizados para los amarres al nivel de los pies ni para caídas libres de más de 6 pies (1,8 m).** La conexión inapropiada puede causar la desconexión forzosa en el caso de una caída. Siempre monte en la brida inferior de una viga horizontal elevada, de manera que el Anclaje de viga esté situado por encima del nivel del anillo en "D" de la espalda de su arnés de cuerpo completo en todo momento.

Una vez que se han tomado las medidas anteriores, el usuario tendrá acceso a su área de trabajo mientras camina y se mueve a velocidades normales. ¡Es importante no hacer movimientos bruscos o aparatosos! Cuando se utiliza el equipo, debe tenerse cuidado para estar consciente del ambiente de trabajo y de cualquier peligro, obstrucciones u obstáculos que puedan existir. Debe tener cuidado con todos los peligros de caídas y también tener presente los peligros de resbalones y tropiezos.

Fig. 3.2

Instalación correcta del Anclaje de viga con pasador de retención



Asegúrese de que la distancia máxima total entre las pinzas y la brida de la viga no se exceda de $\frac{1}{2}$ " (1,3 cm).

El pasador de retención siempre debe estar ubicado entre la pinza de posición variable y el extremo de la barra del anclaje de la viga.

3.7: Instalación y uso - Anclajes de vigas con posición fija

1. Seleccione el **Anclaje de viga con posición fija de FallTech** apropiado, con base en las condiciones de trabajo y los peligros

- específicos (consultar la Sección 3.2 para obtener recomendaciones).
2. Lea, comprenda y cumpla con las instrucciones del fabricante para cada uno de los componentes de su sistema personal de retención de caídas (arnés de cuerpo completo, dispositivos de conexión, conectores de anclaje, etc.). Asegúrese de elegir los componentes que son compatibles con este **Anclaje de viga**. Si tiene preguntas acerca del producto o la compatibilidad de los componentes, asegúrese de ponerse en contacto con *FallTech* para obtener instrucciones adicionales.
 3. Calcule los posibles peligros de caídas con balanceo, distancia total de caída, y distancia despejada requerida. Si tiene un peligro de caída con balanceo o no tiene la distancia despejada requerida, **DETÉNGASE** y reevalúe su aplicación y sistema. Su ubicación del trabajo nunca debe excederse de un ángulo de 15 grados en cualquier dirección en relación con la ubicación de su anclaje.
 4. Inspeccione este **Anclaje de viga**, y todos los componentes de su Sistema personal de detención de caídas (PFAS, por sus siglas en inglés) de conformidad con la Sección 8 de este manual. **Asegúrese de consultar y seguir los materiales de instrucción, las etiquetas y las advertencias que acompañan a los otros componentes de su PFAS.**
 5. Afloje las tuercas de retención externas e internas, adyacentes a la pinza o pinzas de posición variable, creando una abertura lo suficientemente grande para permitir que la brida de la viga quede entre las pinzas.
 6. Coloque el Anclaje de viga con posición fija sobre la viga para que ambas pinzas se extiendan por encima de la brida.
 7. Destlice la pinza o pinzas de posición variable hacia el anillo en "D" en el centro del Anclaje de viga hasta que ambas pinzas estén en contacto directo con la brida de la viga. Sujete la pinza o pinzas de posición variable en su lugar al apretar la tuerca de retención interna (situada justo al lado de la pinza). Luego, apriete la tuerca de retención externa, la cual permitirá fijar la tuerca de retención interna. Para los modelos 7487 y 7488, utilice una llave ajustable y apriete ambas tuercas manualmente, más 1/4 de vuelta (ver la figura 3.3). Para los modelos 7533 y 7534, asegúrese de que el anillo en "D" está centrado en la brida de la viga, y luego utilice un guante y apriete cada tuerca (asegúrese de ajustar y apretar las tuercas de retención en ambos lados del anclaje - ver la figura 3.4).
 8. Compruebe que ambas pinzas están en contacto directo con la brida de la viga. **No debe haber ninguna brecha entre la brida de la viga y las pinzas de su Anclaje de viga con**

posición fija, el cual debe quedar ajustado en la brida y permanecer inmóvil.

9. Verifique su instalación para asegurarse de que el Anclaje de viga con posición fija no se desconecte de la viga, es decir, que quede fijo en la brida de la viga y no se pueda mover.
10. Asegúrese de que el arnés de cuerpo completo esté colocado y ajustado correctamente y que su dispositivo de conexión está conectado de manera segura al anillo en "D" en la espalda. Acople al Anclaje de viga con posición fija con su dispositivo de conexión.
11. Proceda con su trabajo con cautela. No corra, salte, realice movimientos bruscos ni se estire para llegar a un punto específico. Este Anclaje de viga es para una posición fija y no se puede mover; una vez que llegue a la longitud extendida de su dispositivo de conexión, cualquier movimiento brusco puede hacerle perder el equilibrio. **Muévase con prudencia y cuidado en todo momento mientras trabaja en alturas.**
12. No permita que su dispositivo de conexión pase por debajo de su brazo o entre sus piernas, pues pueden ocurrir lesiones graves o la muerte. También evite los bordes afilados que pueden dañar su dispositivo de conexión en el caso de una caída.
13. Si la viga a la cual se conecta este anclaje está inclinada o en posición vertical, el Anclaje de viga debe ser ubicado junto a una parada la cual evitará que el Anclaje se deslice o mueva en el caso de una caída. Las articulaciones entre las secciones de la viga deben estar niveladas y deben tener una distancia máxima de ½" (1,3 cm).
14. Si usted está atado al nivel de los pies, o en una forma que permitirá más de 6 pies (1,8 m) de caída libre, asegúrese de que su dispositivo de conexión esté calificado para caídas libres extendidas. También asegúrese de que la compuerta de su mosquetón o gancho de cierre instantáneo que está conectado al anclaje de viga no tenga contacto directo con el borde de la brida de la viga, con cualquier parte del Anclaje de la viga, o cualquier otra obstrucción. Dicho contacto puede forzar un rodamiento o desconexión accidental. En caso de duda, puede utilizar una agarradera de FallTech modelo No. 7214 para extender su conexión. Conecte la Agarradera 7214 al anillo en "D" en su Anclaje de viga, y luego conecte su dispositivo de conexión al anillo en "D" en la agarradera. Esto ayudará a mantener la compuerta de su conector lejos de cualquier peligro potencial.

Una vez que se han tomado las medidas anteriores, el usuario tendrá acceso a su área de trabajo mientras camina y se mueve a velocidades normales. ¡Es importante no hacer movimientos bruscos o aparatosos!

Cuando se utiliza el equipo, debe tenerse cuidado para estar consciente del ambiente de trabajo y de cualquier peligro, obstrucciones u obstáculos que puedan existir. Debe tener cuidado con todos los peligros de caídas y también tener presente los peligros de resbalones y tropiezos.

Fig. 3.3
Instalación correcta del Anclaje de viga con posición fija (7487 y 7488)

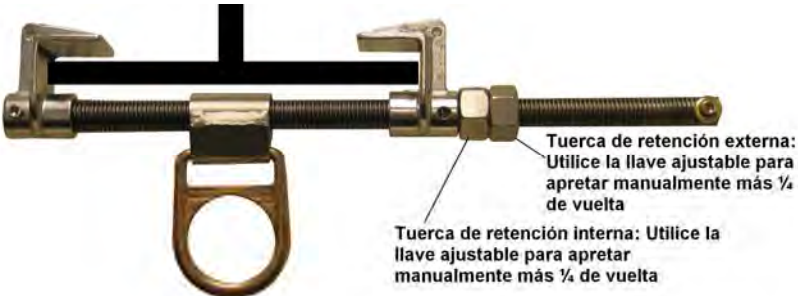


Fig. 3.4
Anclaje de viga con posición fija (7533 y 7534)



3.8: Instalación y uso - Anclajes de vigas verticales

1. Seleccione el **Anclaje de viga vertical de FallTech** apropiado, con base en las condiciones de trabajo y los peligros específicos (consultar la Sección 3.2 para obtener recomendaciones).
2. Lea, comprenda y cumpla con las instrucciones del fabricante para cada uno de los componentes de su sistema personal de retención de caídas (arnés de cuerpo completo, dispositivos de conexión, conectores de anclaje, etc.). Asegúrese de elegir los componentes que son compatibles con este **Anclaje de viga**. Si tiene preguntas acerca del producto o la compatibilidad de los componentes, asegúrese de ponerse en contacto con *FallTech* para obtener instrucciones adicionales.
3. Calcule los posibles peligros de caídas con balanceo, distancia total de caída, y distancia despejada requerida. Si tiene un peligro de caída con balanceo o no tiene la distancia despejada requerida, **DETÉNGASE** y reevalúe su aplicación y sistema. Su ubicación del trabajo nunca debe excederse de un ángulo de 15 grados en cualquier dirección en relación con la ubicación de su anclaje.
4. Inspeccione este **Anclaje de viga**, y todos los componentes de su Sistema personal de detención de caídas (PFAS, por sus siglas en inglés) de conformidad con la Sección 8 de este manual. **Asegúrese de consultar y seguir los materiales de instrucción, las etiquetas y las advertencias que acompañan a los otros componentes de su PFAS.**
5. Afloje la pinza de posición variable y cree una abertura lo suficientemente grande para permitir que la brida quede entre las pinzas. Para el modelo 7489, afloje el agarre de ajuste completamente y retire el pasador de retención (ver figura 3.5). Para el modelo 7535, primero afloje la tuerca de retención externa y luego afloje la tuerca de retención interna (ver la figura 3.6).
6. Coloque el Anclaje de viga vertical sobre la viga para que ambas pinzas se extiendan por encima de la brida.
7. Deslice la pinza de posición variable hacia la brida de la viga hasta que ambas pinzas estén en contacto directo con la brida de la viga. Para el modelo 7489, ajuste la pinza de posición variable en su lugar al insertar el pasador de retención en el primer agujero abierto en la barra. Luego gire el agarre de ajuste en la dirección de las agujas del reloj hasta que quede bien apretado. Para el modelo 7535, utilice un guante para apretar la tuerca de retención interna hasta que quede apretada y luego apriete la tuerca de retención externa hasta que quede ajustada.

8. Compruebe que ambas pinzas están en contacto directo con la brida de la viga. **No debe haber ninguna brecha entre la brida de la viga y las pinzas de su Anclaje de viga vertical, el cual debe quedar ajustado en la brida y permanecer INMÓVIL.**
9. Verifique su instalación para asegurarse de que el Anclaje de viga con posición fija no se desconecte de la viga, es decir, que quede fijo en la brida de la viga y **NO SE PUEDA MOVER.**
10. Asegúrese de que el arnés de cuerpo completo esté colocado y ajustado correctamente y que su dispositivo de conexión está conectado de manera segura al anillo en "D" en la espalda. Acople al Anclaje de viga vertical con su dispositivo de conexión.
11. Si está utilizando su Anclaje(s) de viga vertical como un punto de anclaje para un Sistema HLL temporal de FallTech, consulte las instrucciones de ese sistema y proceda con la conexión del HLL.
12. Proceda con su trabajo con cautela. No corra, salte, realice movimientos bruscos ni se estire para llegar a un punto específico. Este Anclaje de viga es para una posición fija y no se puede mover; una vez que llegue a la longitud extendida de su dispositivo de conexión, cualquier movimiento brusco puede hacerle perder el equilibrio. **Muévase con prudencia y cuidado en todo momento mientras trabaja en alturas.**
13. No permita que su dispositivo de conexión pase por debajo de su brazo o entre sus piernas, pues pueden ocurrir lesiones graves o la muerte. También evite los bordes afilados que pueden dañar su dispositivo de conexión en el caso de una caída.
14. Si la viga a la cual se conecta este anclaje está inclinada o en posición vertical, el Anclaje de viga debe ser ubicado junto a una parada la cual evitará que el Anclaje se deslice o mueva en el caso de una caída. Las articulaciones entre las secciones de la viga deben estar niveladas y deben tener una distancia máxima de ½" (1,3 cm).
15. Si usted está atado al nivel de los pies, o en una forma que permitirá más de 6 pies (1,8 m) de caída libre, asegúrese de que su dispositivo de conexión esté calificado para caídas libres extendidas. También asegúrese de que la compuerta de su mosquetón o gancho de cierre instantáneo que está conectado al anclaje de viga no tenga contacto directo con el borde de la brida de la viga, con cualquier parte del Anclaje de la viga, o cualquier otra obstrucción. Dicho contacto puede forzar un rodamiento o desconexión accidental. En caso de duda, puede utilizar una agarradera de FallTech modelo No. 7214 para extender su conexión. Esto ayudará a mantener la compuerta de su conector lejos de cualquier peligro potencial.

Una vez que se han tomado las medidas anteriores, el usuario tendrá acceso a su área de trabajo mientras camina y se mueve a velocidades normales. ¡Es importante no hacer movimientos bruscos o aparatosos! Cuando se utiliza el equipo, debe tenerse cuidado para estar consciente del ambiente de trabajo y de cualquier peligro, obstrucciones u obstáculos que puedan existir. Debe tener cuidado con todos los peligros de caídas y también tener presente los peligros de resbalones y tropiezos.

Fig. 3.5
Instalación correcta del Anclaje de viga vertical (7489)

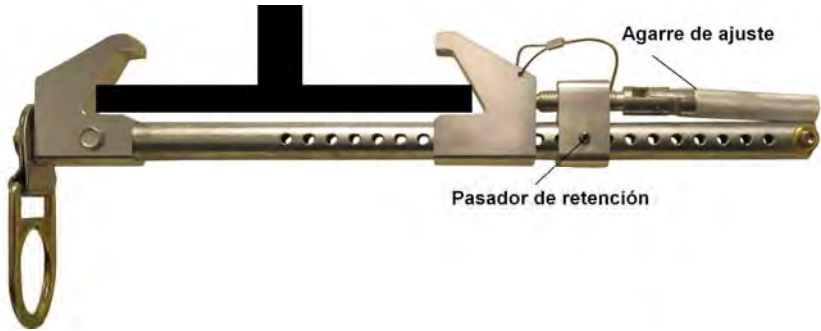


Fig. 3.6
Anclaje de viga vertical (7535)



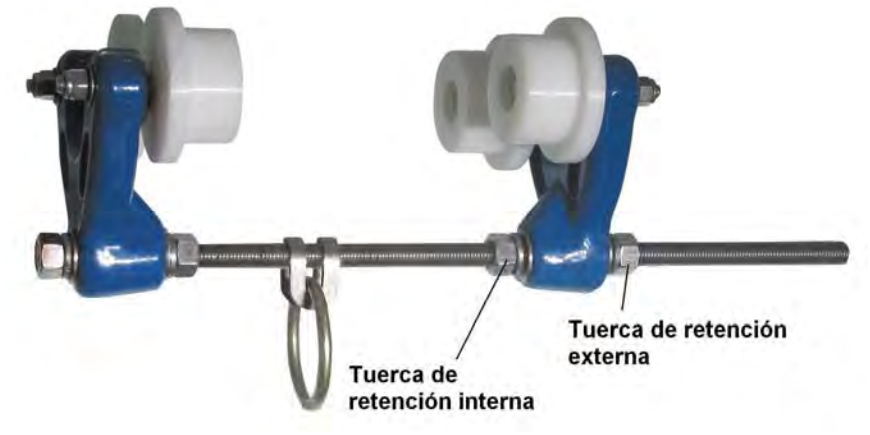
3.9: Instalación y uso - Carrito de viga

1. Lea, comprenda y cumpla con las instrucciones del fabricante para cada uno de los componentes de su sistema personal de retención de caídas (arnés de cuerpo completo, dispositivos de conexión, conectores de anclaje, etc.). Asegúrese de elegir los componentes que son compatibles con este **Carrito de viga**. Si tiene preguntas acerca del producto o la compatibilidad de los componentes, asegúrese de ponerse en contacto con *FallTech* para obtener instrucciones adicionales.
2. Calcule los posibles peligros de caídas con balanceo, distancia total de caída, y distancia despejada requerida. Si tiene un peligro de caída con balanceo o no tiene la distancia despejada requerida, **DETÉNGASE** y reevalúe su aplicación y sistema. Su ubicación del trabajo nunca debe excederse de un ángulo de 15 grados en cualquier dirección en relación con la ubicación de su anclaje.
3. Inspeccione este **Carrito de viga**, y todos los componentes de su Sistema personal de detención de caídas (PFAS, por sus siglas en inglés) de conformidad con la Sección 8 de este manual.
Asegúrese de consultar y seguir los materiales de instrucción, las etiquetas y las advertencias que acompañan a los otros componentes de su PFAS.
4. Afloje el yugo de posición variable y cree una abertura lo suficientemente grande para permitir que la brida pase entre los yugos al aflojar primero la tuerca de retención externa, y luego la tuerca de retención interna (ver la figura 3.7).
5. Coloque el carrito de viga en la brida inferior de modo que las ruedas de cada uno de los yugos se extiendan por encima de la brida. El Carrito de viga de FallTech sólo se debe montar sobre una viga horizontal elevada para restringir la caída libre a un máximo de 6 pies (1,8 m). **Nunca utilice el Carrito de viga de FallTech para fijar al nivel de los pies o en la parte superior de la brida de cualquier viga. Nunca utilice en una viga vertical.**
6. Deslice el yugo de posición variable hacia la brida de la viga hasta que las ruedas en ambos yugos estén en contacto directo con la parte superior de la brida de la viga. La parte elevada de las ruedas debe estar en contacto con el borde externo de la brida de la viga. Utilice un guante para apretar la tuerca de retención interna hasta que quede apretada y luego apriete la tuerca de retención externa hasta que quede apretada; a continuación, use una llave ajustable para apretar la tuerca de retención externa con $\frac{1}{4}$ de vuelta adicional.
7. Compruebe que las cuatro ruedas están en contacto directo con la brida de la viga. No debe irse de un lado a otro, pues el borde externo levantado de las ruedas debe mantener el Carrito

- centrado en la viga. El Carrito de viga debe deslizarse suavemente por la viga en cualquier dirección.
8. Asegúrese de que la viga esté nivelada y horizontal y que no hay pendiente ni cuesta. Asegúrese de que la brida no tiene bordes dentados, acumulación de pintura, remaches, sujetadores, escoria de soldadura o cualquier otra obstrucción en el trayecto del Carrito de viga. Asegúrese de que hay una parada o una columna en cualquiera de los extremos del trayecto del Carrito de viga. No hacerlo puede causar una desconexión accidental, y ocasionar lesiones graves o la muerte.
 9. Verifique su instalación para garantizar que el Carrito de viga no pueda desprenderse de la viga en cualquier punto del trayecto del movimiento o en las articulaciones o extremos de la viga.
 10. Las articulaciones entre las secciones de la viga deben estar niveladas y deben tener una distancia máxima de $\frac{1}{2}$ " (1,3 cm).
 11. Asegúrese de que el arnés de cuerpo completo esté colocado y ajustado correctamente y que su dispositivo de conexión está conectado de manera segura al anillo en "D" en la espalda. Acople al Carrito de viga con su dispositivo de conexión.
 12. Proceda con su trabajo con cautela. No corra, salte ni se estire para llegar a un punto específico. Mientras se mueve, el Anclaje de viga con trinquete/deslizamiento debe deslizarse en la viga, permitiéndole una mayor movilidad. Si no se desliza con fluidez, verifique para asegurarse de que el anillo en "D" en el Anclaje de la viga está centrado en la misma. También verifique para ver si hay bordes dentados, sujetadores dentados, acumulación de pintura, salpicaduras de soldadura u otras obstrucciones.
Cualquier tipo de obstrucción o movimiento brusco puede ocasionar que el Anclaje se agarrote en la viga, causando que usted pierda su equilibrio. Muévase con prudencia y cuidado en todo momento mientras trabaja en alturas.
 13. No permita que su dispositivo de conexión pase por debajo de su brazo o entre sus piernas, pues pueden ocurrir lesiones graves o la muerte. También evite los bordes afilados que pueden dañar su dispositivo de conexión en el caso de una caída.
 14. ***El Carrito de viga de FallTech nunca debe ser utilizado para los amarres al nivel de los pies ni para caídas libres de más de 6 pies (1,8 m).*** La conexión inapropiada puede causar la desconexión forzosa en el caso de una caída. Siempre monte en la brida inferior de una viga horizontal elevada, de manera que el Anclaje de viga esté situado por encima del nivel del anillo en "D" de la espalda de su arnés de cuerpo completo en todo momento.

Una vez que se han tomado las medidas anteriores, el usuario tendrá acceso a su área de trabajo mientras camina y se mueve a velocidades normales. ¡Es importante no hacer movimientos bruscos o aparatosos! Cuando se utiliza el equipo, debe tenerse cuidado para estar consciente del ambiente de trabajo y de cualquier peligro, obstrucciones u obstáculos que puedan existir. Debe tener cuidado con todos los peligros de caídas y también tener presente los peligros de resbalones y tropiezos.

Fig. 3.7
Carrito de viga de FallTech (7710)



Sección 4: Selección del producto

La selección del producto es tan importante como el uso adecuado del producto en sí. La falta de criterio en la selección del producto puede tener consecuencias catastróficas, por lo tanto, asegúrese de consultar a una persona competente para garantizar que el producto que se proporciona es apropiado para la aplicación y la ubicación específica a la cual está destinado.

La Sección 7 de ANSI Z359.1-2007 describe con detalle las medidas que deben tomarse con respecto a la selección de los equipos de detención de caídas. FallTech recomienda firmemente el uso de esta guía para aquellos que tienen usuarios de productos de detención de caídas. La norma ANSI recomienda que se tomen las siguientes medidas:

- Una evaluación del lugar de trabajo por una persona competente, teniendo en cuenta la presencia de fuentes de calor extremo, químicos, peligros eléctricos, contaminantes ambientales, objetos cortantes, superficies abrasivas; traslado de equipos y materiales; superficies de trabajo/para caminar inestables, desiguales y resbaladizas; aberturas sin protección; factores climáticos/meteorológicos y cambios previsibles para estas condiciones. Se debe tener cuidado para asegurarse que los equipos seleccionados son aptos para su uso en caso de que exista alguna de estas condiciones.
- La evaluación del lugar de trabajo debe identificar todos los trayectos de movimiento y los peligros de caídas en dichos trayectos. Se debe tener cuidado de asegurar que existan los anclajes a intervalos apropiados en esos trayectos para proteger a los usuarios de estos peligros sin exposición a condiciones de caídas con balanceo. Los PFAS seleccionados deben limitar la distancia de caída a fin de evitar el contacto con el siguiente nivel inferior en el caso de una caída.
- Los conectores de anclaje deben ser seleccionados sobre la base de su idoneidad para la conexión al punto de anclaje a fin de asegurar una conexión compatible y segura.
- La exposición del conector de anclaje a bordes afilados, superficies abrasivas y otros peligros físicos/estructurales debe ser considerada cuando se evalúe la compatibilidad.
- La persona competente deberá calcular el peso de todas las personas autorizadas cuando estén completamente equipadas para asegurar que se encuentren dentro de la capacidad máxima del PFAS.
- Se debe seleccionar un arnés de cuerpo completo que cumpla los requisitos del Z359, el cual debe tener un tamaño adecuado para el usuario según las instrucciones del fabricante.
- Los conectores seleccionados deberán tener un tamaño y forma adecuados de modo que sean compatibles con los dispositivos a los cuales se conectarán.
- La persona competente deberá seleccionar el método para proteger a los equipos de los daños ocasionados por las condiciones del lugar de trabajo, de conformidad con las instrucciones del fabricante.
- La persona competente comprobará las instrucciones de los equipos y las marcas para garantizar el cumplimiento de las normas adecuadas y se asegurará de leer y seguir las instrucciones, marcas y advertencias del fabricante.

- Si el PFAS que se selecciona posee componentes de diferentes fabricantes, la persona competente se asegurará de que estos componentes sean compatibles.

FallTech recomienda encarecidamente que se consideren los siguientes puntos en la selección del producto, además de los puntos antes citados:

- Seleccione el conector de anclaje más apropiado para su aplicación y para el punto de anclaje al cual se conectará. Si bien los anclajes de cabestrillo son populares debido a su versatilidad, no siempre son la mejor opción cuando hay bordes afilados o angulares en la estructura a la cual están conectados.
- Seleccione un arnés de cuerpo completo de durabilidad apropiada para su lugar de trabajo que contenga todos los elementos de conexión que necesitará. Nunca conecte una SRL a otro elemento distinto al anillo en "D" dorsal/de la espalda o el anillo en "D" delantero/del pecho de su arnés de cuerpo completo.
- Dependiendo de las condiciones y los riesgos del lugar de trabajo, es posible que necesite emplear múltiples sistemas o diferentes combinaciones de componentes. No intente forzar el sistema para adaptarlo a la aplicación. El uso del equipo apropiado es la mejor política.

Sección 5: Consideraciones del anclaje

Las normas 1910.66 y 1926.502 de la OSHA disponen que los anclajes utilizados para la conexión de un dispositivo personal de detención de caídas (PFAS) debe ser independiente de cualquier anclaje que se utilice para apoyar o suspender las plataformas, y debe soportar al menos 5.000 libras (2.268 kg) por usuario conectado, o ser diseñados, instalados y usados como parte de un PFAS completo el cual mantenga un factor de seguridad de por lo menos dos, y sea supervisado por una persona calificada (arquitecto, ingeniero estructural, etc.).

El punto de anclaje al cual está conectado este Anclaje de viga deberá ser capaz de sostener cargas estáticas en direcciones aplicadas por el sistema personal de detención de caídas de por lo menos 3.600 libras (1.633 kg) (o por lo menos el doble de la carga dinámica esperada) con la certificación de una persona calificada (arquitecto, ingeniero estructural, etc.), o 5.000 libras (2.268 kg) en ausencia de la certificación. Si se conectan varios sistemas personales de detención

de caídas al mismo anclaje, los valores mínimos indicados anteriormente se deben multiplicar por el número de usuarios.

Asegúrese de que el **Anclaje de viga** es compatible con el punto de anclaje al cual lo conecta. Asegúrese de que este Anclaje de viga es compatible con otros elementos de su Sistema personal de retención de caídas (PFAS, por sus siglas en inglés) al verificar las instrucciones del fabricante para estos componentes.

Asegúrese de que su anclaje está montado en un nivel por encima de la cabeza o por encima del nivel del anillo en "D" de la espalda de su arnés de cuerpo completo si es posible (verifique las restricciones específicas en las secciones 3.5 – 3.9). Asegúrese de calcular su caída despejada (como se explica en la sección 2.9) y evite los peligros de caídas con balanceo. Asegúrese de que el trayecto de caída esté libre de obstrucciones y peligros de empalamiento.

Sección 6: Empleadores y capacitación para usuarios

6.1: Notas especiales para el empleador

Como empleador, puede ser obligado a suministrar equipos de protección personal (que incluyen los equipos personales de detención de caídas y de protección contra caídas) junto con una cantidad adecuada de capacitación a sus empleados para que puedan estar preparados adecuadamente para utilizar este equipo en el desarrollo de su trabajo. Si no está seguro acerca de su deber de brindar protección contra caídas, consulte la sección 1926.501 del Título 29 CFR, el cual puede encontrar en www.osha.gov. Otro recurso importante para los empleadores es la Norma de consenso sobre la protección gestionada contra caídas: ANSI Z359.2-2007.

Igualmente importante es el tema de la selección del producto/equipos. Si está obligado a proporcionar equipos de protección contra caídas para sus empleados, asegúrese de consultar o nombrar a una persona competente o calificada para seleccionar y prescribir equipos que sean adecuados para abordar los peligros específicos que pueden estar presentes en su sitio de trabajo o en sus instalaciones. Existen diferentes productos para diferentes aplicaciones, y en muchos casos, estos productos no son intercambiables. Si usted tiene preguntas acerca de si este producto es apto para su aplicación, comuníquese con FallTech para obtener asistencia.

Es importante señalar que el uso inadecuado de los equipos de detención de caídas puede ser tan peligroso como no utilizarlos en absoluto. No capacitar y supervisar adecuadamente a sus empleados

pueden ocasionar lesiones graves o la muerte. Es fundamental tener un programa de capacitación apoyado por documentación, capacitación de perfeccionamiento y recuperación y para establecer las mejores prácticas en cuanto al uso de todos los equipos de protección personal (PPE, por sus siglas en inglés).

6.2: Capacitación para usuarios

Es responsabilidad del usuario de este equipo leer y comprender completamente estas instrucciones antes de emplear este producto como parte de un Sistema personal de detención de caídas (PFAS, por sus siglas en inglés). Cada usuario de protección contra caídas debe recibir un curso de instrucción de cuatro a ocho horas para el Usuario autorizado. También se debe proporcionar capacitación sobre el uso de cada uno de los componentes del PFAS del usuario y sobre el reconocimiento de peligros de caídas. Durante el desarrollo de esta capacitación, el usuario no puede estar expuesto a un peligro de caída.

En la ausencia de un programa formal de capacitación, FallTech ha diseñado estos materiales de instrucción para que sirvan como un curso abreviado de instrucción en un esfuerzo para dar al usuario una descripción general sobre la detención de caídas. Este manual no constituye un programa de capacitación completo y no es integral. Asegúrese de consultar www.osha.gov para obtener detalles sobre los requisitos de la OSHA para la capacitación. *FallTech* tiene servicios adicionales disponibles para ayudar con la capacitación para el usuario final - comuníquese con un profesional de ventas de *FallTech* para obtener más detalles.

Como mínimo, la capacitación debe tratar los siguientes puntos:

- El ABCD de la detención de caídas (como se explica en la Sección 2).
- Reconocimiento de peligros de caídas.
- Eliminación de peligros de caídas y métodos de control.
- Normas y reglamentos aplicables a la protección contra caídas.
- Las responsabilidades de las personas designadas (autorizada, competente, calificada).
- Cómo utilizar los procedimientos escritos sobre protección contra caídas.
- Inspección de los sistemas y componentes de los equipos antes de su uso.
- Procedimientos de rescate para protección contra caídas.
- Instalación y uso de productos comunes a sus funciones, sitio de trabajo o instalaciones.

Es importante señalar que el uso inadecuado de estos equipos puede ser tan peligroso como no utilizarlos en absoluto. No leer, comprender y seguir estas instrucciones puede ocasionar lesiones graves o la muerte.

Sección 7: Plan de protección contra caídas

La sección 1926.500 – 503 del Título 29 CFR exige que los empleadores tengan un plan de protección contra caídas por escrito cuando exista el peligro de caídas. La mejor forma de abordar un peligro de caída es eliminarlo por completo o emplear un sistema pasivo para restringir el acceso a los peligros (es decir, barandillas, redes, cubiertas, etc.). Los productos de detención de caídas son la última línea de defensa en la jerarquía de protección contra caídas, y deben utilizarse como último recurso por parte de los empleados que han sido cuidadosamente capacitados. La jerarquía aceptada para la protección contra caídas es la siguiente:

- Eliminar el peligro de caída.
- Protección pasiva contra caídas (barandillas, redes de seguridad, barreras, etc.).
- Restricción de caídas (evitar que el trabajador tenga acceso al peligro de caídas al utilizar un amarre fijo que sea lo suficientemente corto como para restringir el acceso al peligro).
- Detención de caídas (mediante el uso de sistemas personales de detención de caídas).
- Controles administrativos (uso de las líneas de advertencia, zonas de acceso controlado o monitores).

Dos recursos excepcionales para el desarrollo de un plan de protección contra caídas por escrito son la Subparte M de OSHA 1926, Apéndice E y la ANSI Z359.2-2007. Todas las normas ANSI están disponibles para su compra en www.ansi.org en la tienda de normas electrónicas.

7.1: El Plan de protección contra caídas

Como mínimo, el plan de protección contra caídas debe identificar y/o tratar los siguientes puntos:

- Todos los peligros de caídas que puedan existir en su sitio de trabajo o en sus instalaciones.
- Las medidas a tomar para eliminar cada peligro de caídas.

- Los equipos que han sido utilizados o serán empleados para tratar cada peligro de caídas.
- Las disposiciones para el 100% de protección continua contra caídas en las cercanías de todos los peligros de caídas.
- Los procedimientos de capacitación para todas las personas autorizadas.
- Identificación de los anclajes aceptables para el posicionamiento, restricción y detención de caídas.
- Requisitos de caída libre.
- Uso y salida del sistema.
- Limitaciones en el uso del sistema (máximo de caída libre, fuerza de detención, número máximo y lugares permitidos de personas autorizadas que pueden utilizar el sistema).
- Los procedimientos para la instalación, uso y eliminación del sistema.
- Instrucciones detalladas para la inspección de los sistemas y sus componentes para incluir los criterios de rechazo y los procedimientos de reemplazo.
- Un plan detallado y los procedimientos para el rescate de un trabajador que pueda estar involucrado en una caída.

7.2: Plan de rescate

En el caso de una caída, la OSHA exige que se proporcione un rescate oportuno. Con el fin de facilitar un rescate rápido y eficaz, es importante tener un Plan de rescate como parte de su Plan general de protección contra caídas.

El plan de rescate debe incluir procedimientos detallados para convocar a una agencia profesional de rescate (tales como el departamento local de bomberos) y/o para realizar auto-rescates o rescates en la sede.

Para obtener asistencia detallada sobre la formulación y el mantenimiento de un plan de rescate eficaz, consulte la norma ANSI Z359.2-2007.

7.3: Trauma por suspensión

El trauma por suspensión (también conocido como intolerancia ortostática) es una afección que puede surgir de ser suspendido de un arnés de cuerpo completo durante un período prolongado mientras espera por el rescate después de una caída. En estas circunstancias, puede quedar restringida la circulación de la sangre, lo cual causa que

se acumule o estanque una gran cantidad de sangre en las venas de las piernas del trabajador. Esta afección puede resultar en una variedad de síntomas, entre los cuales se incluyen: mareo, pérdida de la conciencia, dificultad para concentrarse y palpitaciones.

Después de un rescate, el trauma por suspensión puede ser tan grave como para ocasionar un paro cardíaco cuando el gran volumen de sangre no oxigenada afecta al corazón. La gravedad de esta afección se puede reducir en gran medida mediante el uso de cualquiera de una gran variedad de dispositivos ofrecidos para aliviar el trauma por suspensión, tales como el *ReliefPak de FallTech* y al proporcionar un rescate inmediato cuando ocurra una caída.

Para obtener más información sobre el trauma por suspensión, consulte el Boletín SHIB 03-24-2004 sobre Información de Salud y Seguridad de la OSHA en www.osha.gov.

Sección 8: Inspección del producto

La inspección es un elemento crítico en el empleo de cualquier equipo de protección contra caídas. Con el fin de proteger a las Personas autorizadas que están utilizando este **Anclaje de viga**, es importante que el empleador establezca procedimientos los cuales posean capas de inspección a fin de garantizar que cualquier deficiencia mecánica o funcional sea reconocida antes de que el producto sea puesto en uso.

8.1: Emisión

Si el **Anclaje de viga** debe ser guardado en un armario o caja de herramientas entre períodos de uso, la persona responsable debe inspeccionar el producto en la emisión y recepción para asegurarse de que está en buenas condiciones. Si se observa alguna deficiencia, se debe indicar en el registro de inspección y el producto deberá ser retirado de servicio y manipulado de acuerdo con la política de bloqueo y etiquetado del empleador. Si este **Anclaje de viga** presenta una deficiencia, debe ser retirado de servicio y sustituida de inmediato.

8.2: Uso diario/incidental

La OSHA 1910.66 y OSHA 1926.502 (así como ANSI Z359.1-2007 y ANSI A10.32-2004) requieren específicamente que el usuario inspeccione todos los equipos de protección contra caídas antes de cada uso para asegurar un correcto funcionamiento y garantizar

que el equipo se encuentra en buen estado. No hacerlo puede ocasionar lesiones graves o la muerte.

FallTech requiere que se tomen las siguientes medidas en cada inspección antes de usar este **Anclaje de viga**:

1. Verifique si hay algún daño en el Anclaje de viga. Inspeccione todas las piezas metálicas para detectar fisuras, doblamientos, rebabas o deformación de cualquier clase. Asegúrese de que no hay piezas faltantes. Si se presenta cualquiera de estas condiciones, retire del servicio inmediatamente y reemplácelo.
2. Inspeccione todas las superficies metálicas para determinar si hay corrosión excesiva. Se debe remover la corrosión superficial ligera con lana de acero. Si hay corrosión excesiva, retire del servicio inmediatamente y reemplácelo.
3. Inspeccione el Anclaje de viga para detectar acumulación de cualquier contaminación superficial, tales como pintura, grasa, aceite, suciedad o cualquier otra sustancia extraña que pueda inhibir la operación de las piezas mecánicas.
4. Verifique la función de todas las partes mecánicas, tales como los pestillos, palancas, trinquetes, pasadores de retención, palancas de ajuste o tuercas de cierre/retención. Cualquiera de estos elementos deben poder ser operados o ajustados con un esfuerzo mínimo. Asegúrese de que las pinzas puedan bloquearse en su lugar o que puedan ser fijadas por las tuercas de retención o pasadores de retención. Si hay alguna deficiencia mecánica, retire de servicio inmediatamente el Anclaje de viga y reemplácelo.
5. Si su Anclaje de viga está equipado con deslizamientos de plástico o nilón en las pinzas, asegúrese de que estén en buen estado y que no tengan grietas, roturas o no estén presentes.
6. Si usted sabe o sospecha que este Anclaje de viga ha sido utilizado en una caída, retírelo de servicio inmediatamente y reemplácelo.
7. Inspeccione las etiquetas y asegúrese de que estén presentes o legibles. Familiarícese con las advertencias o instrucciones de las etiquetas. Si las etiquetas son ilegibles o no están presentes, retire de servicio el Anclaje de viga y reemplácelo.
8. Los resultados de las inspecciones semestrales de la Persona competente deben registrarse en la sección 8.3 de este manual.
9. Si este Anclaje de viga no pasa cualquier parte de la inspección, asegúrese de retirarlo de servicio inmediatamente y de reemplazarlo.

8.3: Inspección semestral obligatoria

ANSI Z359.1-2007 requiere que todo equipo de protección contra caídas debe ser inspeccionado por una persona competente distinta al usuario por lo menos una vez al año. FallTech recomienda firmemente que todo equipo de protección contra caídas debe ser inspeccionado por una persona competente distinta al usuario por lo menos una vez cada seis meses.

Esta inspección deberá hacerse constar en el registro de inspección incluido a continuación, junto con las deficiencias. Esta inspección también se debe utilizar como una oportunidad para asesorar a todas las personas autorizadas con respecto a las posibles deficiencias que pueden no haber indicado en sus inspecciones diarias.

Registro de inspección

Anclaje de viga de FallTech

Modelo No.: _____

Serial No.: _____

Fecha de fabricación: _____

Fecha de inspección	Inspector	Comentarios	Aprobado/ Fallado	Medida correctiva a tomar	Aprobado por

Registro de inspección

Anclaje de viga de FallTech

Modelo No.: _____

Serial No.: _____

Fecha de fabricación: _____

Fecha de inspección	Inspector	Comentarios	Aprobado/ Fallado	Medida correctiva a tomar	Aprobado por

Sección 9: Mantenimiento y almacenamiento

La vida útil de su *Anclaje de viga de FallTech* dependerá de dos factores: las condiciones ambientales de su entorno de trabajo junto con el cuidado adecuado (específicamente, el mantenimiento y almacenamiento).

Mantener el *Anclaje de viga* limpio y libre de contaminantes incrementará la vida útil y garantizará que el *Anclaje de viga* tenga una buena condición de funcionamiento en caso de que usted lo necesite para detener una caída. Los siguientes pasos se deben tomar periódicamente:

1. Utilice un trapo húmedo y jabón suave y agua para limpiar la cubierta del *Anclaje de viga* para eliminar la suciedad y los contaminantes superficiales. Asegúrese de que las etiquetas son legibles en todo momento.
2. Utilice un trapo húmedo para limpiar las superficies de cualquier accesorio de conexión.
3. Si hay una excesiva acumulación de pintura, aceite, alquitrán u otros contaminantes que no pueden ser eliminados, retire el *Anclaje de viga* de servicio y reemplácelo.
4. Si todas las piezas móviles requieren lubricación, utilice una aplicación suave de rociador de silicio al 100%. No utilice lubricantes con base de petróleo.
5. Almacene en un lugar fresco y seco lejos de la luz solar directa y donde no se vea expuesto a vapores químicos.
6. Este *Anclaje de viga* se debe colgar sobre una rejilla o bastidor o almacenarse de manera plana sobre un estante.
7. No tire el *Anclaje de viga* sobre una pila o en un armario o caja de almacenamiento, pues esto puede causar daños.

Siempre que su *Anclaje de viga* pase la inspección, se ha mantenido adecuadamente, no se ha utilizado para detener una caída y se encuentra en buen estado, será adecuado para su uso. Si su *Anclaje de viga* necesita reparación o si existe alguna preocupación acerca de su condición, devuélvalo a su lugar de compra para fijar una inspección y/o reparación a través de un centro de servicio autorizado. Para más detalles, comuníquese con *FallTech*.

Sección 10: Especificaciones

Esta sección contiene información importante sobre el rendimiento y la construcción de este producto. Lea y familiarícese con toda la información contenida en este manual de instrucciones.

10.1: Divulgaciones obligatorias

Este manual de instrucciones aborda los riesgos previsibles, usos y aplicaciones. Si usted tiene preguntas acerca de su aplicación que no se abordan en el presente documento, contacte a FallTech para recibir orientación adicional.

El empleador/emisor de este equipo es responsable de asegurarse de que se utiliza de manera coherente con estas instrucciones. No hacerlo puede ocasionar lesiones graves o la muerte.

Para leer más y obtener más información, consulte la sección 10.4 para obtener una lista de las normas pertinentes con las cuales debe estar familiarizado.

10.2: Especificaciones del rendimiento

Anclajes de vigas con trinquetes/deslizamiento

	7411	7490	7530	7531
Material de construcción: Pinzas	Acero inoxidable	Acero inoxidable	Aleación de acero	Aleación de acero
Material de construcción: Barra	Acero inoxidable	Aleación de acero	Aleación de aluminio	Aleación de aluminio
Capacidad máxima:	425 libras (192,8 kg)	425 libras (192,8 kg)	425 libras (192,8 kg)	425 libras (192,8 kg)
Resistencia final:	5.000 libras (2.268 kg)	5.000 libras (2.268 kg)	5.000 libras (2.268 kg)	5.000 libras (2.268 kg)

Anclajes de vigas con pasador de retención

	7485	7486
Material de construcción: Pinzas	Acero inoxidable	Acero inoxidable
Material de construcción: Barra	Acero inoxidable	Acero inoxidable
Capacidad máxima:	425 libras (192,8 kg)	425 libras (192,8 kg)
Resistencia final:	5.000 libras (2.268 kg)	5.000 libras (2.268 kg)

Anclajes de vigas con posición fija

	7487	7488	7533	7534
Material de construcción: Pinzas	Acero inoxidable	Acero inoxidable	Aleación de aluminio	Aleación de aluminio
Material de construcción: Barra	Acero inoxidable	Acero inoxidable	Aleación de aluminio	Aleación de aluminio
Capacidad máxima:	425 libras (192,8 kg)	425 libras (192,8 kg)	425 libras (192,8 kg)	425 libras (192,8 kg)
Resistencia final:	5.000 libras (2.268 kg)	5.000 libras (2.268 kg)	8.000 libras (3.628,7 kg)	8.000 libras (3.628,7 kg)

Anclajes de carritos de viga

	7710
Material de construcción: Pinzas	Aleación de aluminio
Material de construcción: Barra	Acero inoxidable
Capacidad máxima:	425 libras (192,8 kg)
Resistencia final:	5.000 libras (2.268 kg)

Anclajes de vigas verticales

	7489	7535	7536
Material de construcción: Pinzas	Aleación de aluminio	Aleación de aluminio	Aleación de aluminio
Material de construcción: Barra	Acero inoxidable	Aleación de aluminio	Aleación de aluminio
Capacidad máxima:	425 libras (192,8 kg)	425 libras (192,8 kg)	425 libras (192,8 kg)
Resistencia final:	10.000 libras (4.536 kg)	8.000 libras (3.628,7 kg)	8.000 libras (3.628,7 kg)

10.3: Etiquetas y marcas

La etiqueta mostrada a continuación debe estar presente en el producto y debe estar legible. Si no lo está, retire el producto de servicio.

Ubicado en el extremo de la barra del Anclaje de viga

FALLTECH™

Do Not Remove Label

Meets or exceeds all applicable OSHA
Regulations including 1926.502 and ANSI
Standards including A11.32-04 and/or
2359.1-2007
Made in USA
FallTech 800-719-4619 falltech.com

Beam Anchor

Style (estilo)#: 7530

Date of Mfg: 23 February, 2011

Capacity: 130-425lbs

Material: Stainless and Forged Alloy Steel

Serial #: 1234567

	J	F	M	A	M	J	J	A	S	O	N	D
10												
11												
12												
13												
14												



Parte delantera

! WARNING !

Complies with ANSI and OSHA requirements on the date of manufacture. All warnings and instructions supplied with this product must be read and followed. Any failure to do so could result in serious injury or death. If instructions, labels or warnings are missing, contact FallTech immediately. If this unit has been subjected to any fall arrest forces, remove from service and destroy. Use only compatible connections. Never attach connectors together. Anchorage must be able to support a minimum of 5000lbs (22kN). Inspect this unit before every use. Ensure beam clamp is adjusted as tightly as possible. For use on H and I beam type steel. Inspect before every use. Must be inspected by a competent person every 6 months. **DO NOT REMOVE LABEL**

Parte trasera

10.4: Normas y referencias

A continuación se presenta una lista de las normas que son aplicables a la construcción y el uso de este producto. *FallTech* recomienda firmemente que todos los empleadores adquieran y utilicen estos documentos para la creación de sus propias políticas sobre protección contra caídas y sus planes individuales de protección contra caídas. Los usuarios de este producto también deben estar familiarizados con esta información.

Las Normas de la OSHA tienen fuerza de ley a nivel federal. Algunos estados tienen sus propias regulaciones que se aplican localmente, por lo tanto, consulte al Departamento de Trabajo de su Estado para los

requisitos específicos que pueden ser aplicados en su área. Puede obtener las Normas de la OSHA de manera gratuita en www.osha.gov.

29 CFR 1926 (Subparte M)

1926.500: Alcance, aplicación y definiciones

1926.501: Deber de tener protección contra caídas

1926.502: Criterios y prácticas de los sistemas de protección contra caídas

1926.503: Requisitos de capacitación

Las normas ANSI son estándares de consenso voluntario, y son generalmente consideradas entre las mejores prácticas en lo que concierne a la protección contra caídas. Algunos estados han incorporado una o más de las normas ANSI por referencia, lo cual significa que pueden ser aplicadas por algunas agencias estatales o locales. Consulte al Departamento de Trabajo de su Estado para obtener más detalles. Las Normas ANSI están disponibles para su compra a través de la tienda de normas electrónicas en www.ansi.org.

ANSI Z359.1-2007: Requisitos de seguridad para los sistemas personales de detención de caídas, subsistemas y componentes

ANSI Z359.2-2007: Requisitos mínimos para un Programa integral gestionado de protección contra caídas

ANSI Z359.12-2009: Conexión de componentes para los sistemas personales de detención de caídas.

ANSI A10.32-2004: Sistemas de protección contra caídas para las operaciones de construcción y demolición

Garantía

FallTech garantiza al comprador que todos los productos están libres de defectos en los materiales y mano de obra en el momento del envío. La obligación conforme a esta garantía se limita al reemplazo del producto para el período de dos (2) años a partir de la fecha de instalación o el uso por parte del propietario, siempre que este plazo no se exceda de dos (2) años a partir de la fecha del envío. Esta garantía no es transferible. Ninguna otra persona o empresa está autorizada para asumir o ceder a FallTech cualquier otra garantía en relación con la venta o uso de este producto.

Asimismo, esta garantía será nula si algún producto se ha modificado o alterado en algún modo, o si el producto se utiliza de una forma diferente a la cual está destinado. Esta garantía sólo cubre defectos en los materiales y la mano de obra; no cubre las condiciones resultantes del desgaste normal, descuido o accidente.



FALLTECH

Alexander Andrew, Inc. (dba FallTech)
1306 South Alameda Street
Compton, CA 90221
Número gratuito: (800) 719-4619
Teléfono: (323) 752-0066
Fax: (323) 752-5613
www.falltech.com

**MANC01 ALX – Rev. 1
4/23/12**