

FC Series

Fast Clamps

Warning

Sheet metal will have sharp edges. Always protect your hands during installation. The tabs are sized for the weight of the fan. The duct should be supported by other means. Always consult local code when installing our products. If special supports are required in anticipation of earth quakes, the FC clamps are not intended to meet these requirements.

General Information

The FC Clamps are intended to simplify fan installation and isolate fan vibration from rigid metal duct. FC Clamps are convenient in installations where regular removal of the fan is necessary for inspection and cleaning. FC Clamps are available in sizes 4" through 20" to fit corresponding duct sizes.

FC Clamps in sizes 4" through 12" are equipped with integral hanging tabs. When used with model FR or FG fans, these tabs can be used to suspend the fans. If used for that purpose, two FC clamps are required. DO NOT hang FKD Series fans from these tabs. FKD fans are equipped with integral brackets for suspended installation.

United States

10048 Industrial Blvd., Lenexa, KS, 66215
Tel.: 800.747.1762 • Fax: 800.487.9915

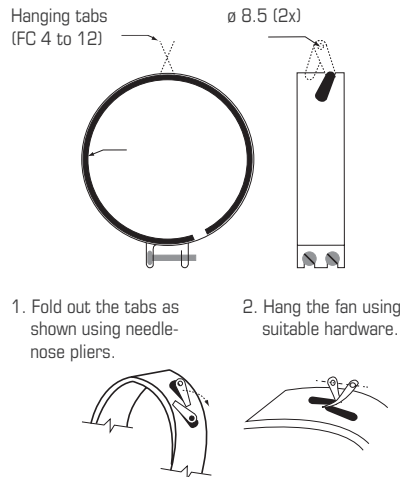
Canada

50 Kanalfakt Way, Bouctouche, NB, E4S 3M5
Tel.: 800.565.3548 • Fax: 877.747.8116

Installation instructions

- To minimize vibration, leave a gap of $\frac{1}{4}$ " between fan collar and duct.
- Tighten the two screws until the fan and duct are snugly attached.
- If using FC Clamps to support a fan (FR and FG only), drive two pc. sheet metal screws through the FC Clamp and into the collar of the fan.
DO NOT over tighten, the screws are to ensure that the clamp does not slip off the fan.
- If the fan is to be suspended from the integral hanging tabs (FG and FR fans only);

Follow steps 1 & 2 in the illustration:
Hanging tabs \varnothing 8.5 (2x)
(FC 4 to 12)



FC Series

Fast Clamps

Warning

Sheet metal will have sharp edges. Always protect your hands during installation. The tabs are sized for the weight of the fan. The duct should be supported by other means. Always consult local code when installing our products. If special supports are required in anticipation of earth quakes, the FC clamps are not intended to meet these requirements.

General Information

The FC Clamps are intended to simplify fan installation and isolate fan vibration from rigid metal duct. FC Clamps are convenient in installations where regular removal of the fan is necessary for inspection and cleaning. FC Clamps are available in sizes 4" through 20" to fit corresponding duct sizes.

FC Clamps in sizes 4" through 12" are equipped with integral hanging tabs. When used with model FR or FG fans, these tabs can be used to suspend the fans. If used for that purpose, two FC clamps are required. DO NOT hang FKD Series fans from these tabs. FKD fans are equipped with integral brackets for suspended installation.

United States

10048 Industrial Blvd., Lenexa, KS, 66215
Tel.: 800.747.1762 • Fax: 800.487.9915

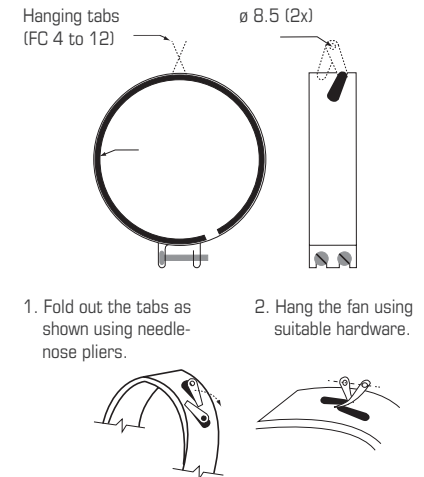
Canada

50 Kanalfakt Way, Bouctouche, NB, E4S 3M5
Tel.: 800.565.3548 • Fax: 877.747.8116

Installation instructions

- To minimize vibration, leave a gap of $\frac{1}{4}$ " between fan collar and duct.
- Tighten the two screws until the fan and duct are snugly attached.
- If using FC Clamps to support a fan (FR and FG only), drive two pc. sheet metal screws through the FC Clamp and into the collar of the fan.
DO NOT over tighten, the screws are to ensure that the clamp does not slip off the fan.
- If the fan is to be suspended from the integral hanging tabs (FG and FR fans only);

Follow steps 1 & 2 in the illustration:
Hanging tabs \varnothing 8.5 (2x)
(FC 4 to 12)



FC Series (cont.)

Fast Clamps

Installation of 315mm (12.4") LD12 Duct Silencer or FGR 12 Filter Cassette with a 12" duct or fan.

The LD12 Silencer and FGR 12 Filter Cassette were designed for use in conjunction with the European 315 mm duct. Due to the difference in diameters, it is necessary to take special measures to join these to a 12" duct.

Since the standard FC 12-300 is not large enough to extend around the 315 mm silencer or filter cassette, we have assembled a kit (model FC 12-315) for this situation. The kit consists of a pair of clamps and 78 inches of 3/16" thick self-adhesive Neoprene rubber foam. The foam, when applied to the duct or fan, will serve to correct for the difference in diameters and thus assure that the clamp secures both pieces evenly.

To use this kit, begin by installing one strip of the foam around the end of the duct or fan that is to be joined to the silencer or filter cassette. The second clamp can be assembled in the same manner. From here the installation can proceed as per the instructions included with the FC clamps.

FC Series (cont.)

Fast Clamps

Installation of 315mm (12.4") LD12 Duct Silencer or FGR 12 Filter Cassette with a 12" duct or fan.

The LD12 Silencer and FGR 12 Filter Cassette were designed for use in conjunction with the European 315 mm duct. Due to the difference in diameters, it is necessary to take special measures to join these to a 12" duct.

Since the standard FC 12-300 is not large enough to extend around the 315 mm silencer or filter cassette, we have assembled a kit (model FC 12-315) for this situation. The kit consists of a pair of clamps and 78 inches of 3/16" thick self-adhesive Neoprene rubber foam. The foam, when applied to the duct or fan, will serve to correct for the difference in diameters and thus assure that the clamp secures both pieces evenly.

To use this kit, begin by installing one strip of the foam around the end of the duct or fan that is to be joined to the silencer or filter cassette. The second clamp can be assembled in the same manner. From here the installation can proceed as per the instructions included with the FC clamps.