

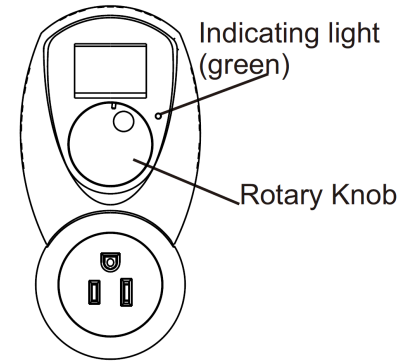
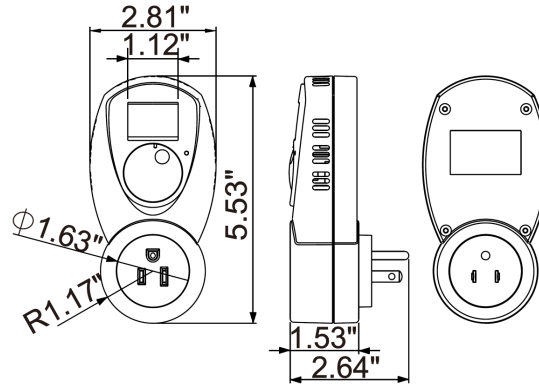
## 246112 Humidifier Control Plug / 246113 Dehumidifier Control Plug

### Purpose of control:

246112 Humidifier Control Plug is designed for controlling a humidifier to maintain room humidity at a desired level.

246113 Dehumidifier Control Plug is designed for controlling a dehumidifier to maintain room humidity at a desired level.



### Dimension in inches:



### Install location:

This Humidifier/Dehumidifier Control Plug is restricted to indoor use only. It should be plugged in a socket at a position where it is readily affected by changes of the general room humidity with freely circulating air. Avoid using this plug near hot surfaces or equipment (e.g. TV, heater, refrigerator), or exposing to direct sunlight, or drought, or equipment radiation or in laundry room. This plug should be aligned vertically when used, with LCD on the top and electrical plug at the bottom. Aligning the plug horizontally when used is not recommended. Do not expose this unit to dripping or splashing.

### Operation:

1. Plug the Humidifier/Dehumidifier Control Plug into a wall socket
2. Select the desired humidity by rotating the indicator to the position of suitable humidity and by reading the LCD display with the  icon
3. The room humidity will display after 10 seconds when the  icon disappears
4. Plug a humidifier on the Humidifier Control Plug / Plug a dehumidifier on the Dehumidifier Control Plug

### Troubleshooting:

| <b>Symptom</b>                           | <b>Action</b>   |
|--|---|
| The plug will not turn on                | Check power to the unit or main electrical box  |
| Humidity variation                       | The unit may be located at the locating that cannot sense the humidity, look for another location and try again   |
| Room is too dry or humid                 | Make sure the adjustment dial is set to the desired setting   |
| Humidifier/Dehumidifier does not turn on | Check if there is a power switch on the humidifier/dehumidifier, turn the switch to On. The power switch on humidifier/ dehumidifier should always set to On and let the Humidifier/Dehumidifier Control Plug to control on/off according |

### Technical Data:

|                         |                             |
|-------------------------|-----------------------------|
| Operating voltage:      | 100-135 VAC                 |
| Rating:                 | 120VAC 50/60Hz, 15(3)A max. |
| Operating temperature:  | 32–104 °F / 0–40 °C         |
| Storage temperature:    | 32–122 °F / 0–50 °C         |
| Operating humidity :    | 5 – 90%RH non-condensing    |
| Humidity Range:         | 30 – 90 %RH adjustable      |
| Switching differential: | Approx. ±1% RH              |
| Type of disconnection:  | Type 1B                     |
| Rated impulse voltage:  | 1500V                       |
| Pollution degree:       | 2                           |