

Assembly Instructions	Instrucciones de Ensamblaje	Directives d'assemblage
Customer Service US:1-800-645-2986	Servicio de atención al Cliente México: 01.800.681.6940	Service à la clientèle Canada:888-645-2986



BURNISHER
Model #: 641310, 641311

TECHNICAL Specification		
Size	20"	20"(dust control)
Brush RPM	1500	1800
Motor HP	1.5	1.5
Motor Volt	120V	120V
Motor Watt	1.1Kw	1.1Kw
Motor Amp	13 A	13 A
Power Cord	12AWG SJTW Cord, 50ft	12AWG SJTW Cord, 50ft
Weight	55kg	56kg

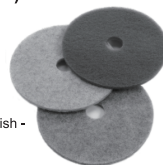
ORDER YOUR CLEANING CHEMICALS & PADS
Visit www.globalindustrial.com or call 1-800-645-1232

CLEANING CHEMICALS



PADS(Case of 5)

High Freq., Soft to Medium Finish - Model 261166
Low Freq., Medium to Hard Finish - Model 261167
Low Freq., Hard Finish - Model 261168



IMPORTANT INSTRUCTIONS

PLEASE READ THE INSTRUCTIONS CAREFULLY PRIOR TO USING THIS PRODUCT.

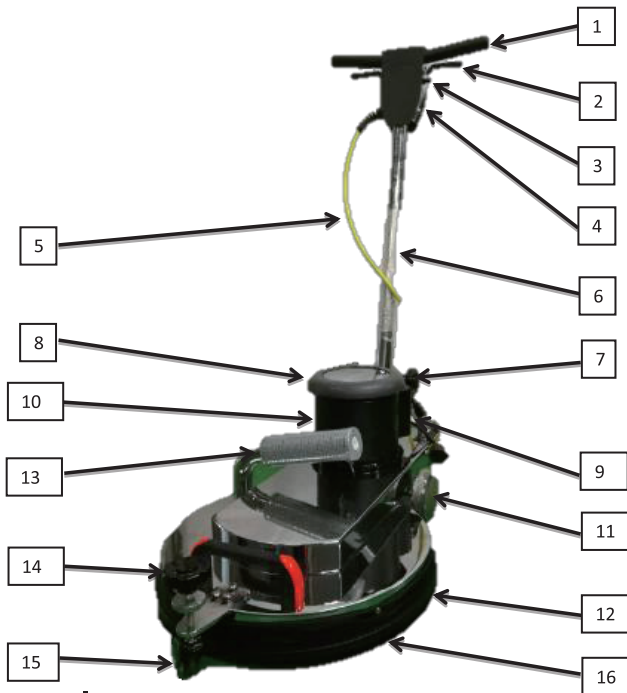
WARNING - to reduce the risk of fire, electrical shock, and/or injury/damage to persons or property:

- Do not operate the machine unless trained and authorized
- Failure to heed these warnings, may result in property damage, personal injury and/or death
- Flammable materials or reactive metals can cause explosion or fire. DO NOT use to clean up flammable or combustible spills
- This machine is intended for commercial use. It is constructed for use in an indoor environment and is not intended for any other use.
- Extreme caution and supervision is necessary when used near children or unqualified personnel
- Do not place objects on the Unit or allow objects to obstruct the inlet or outlet openings. Do not operate in close proximity to walls, curtains, etc.
- Do not use acid solutions, which may damage the machine or harm the operator.
- Always turn off and unplug the machine prior to assembling, performing routine maintenance, or when not in use.
- The use of attachments or accessories is not recommended or sold by the Global Industrial may cause personal injury and/or property damage.
- DO NOT attempt to fix the machine by yourself. All repairs must be made by an authorized personnel
- Do not modify the machine
- Avoid moving parts. Do not wear loose fitting clothing while using/-servicing the machine
- This machine shall be stored indoors only
- Always keep safe distance and working area free of obstacles during use.
- DO NOT HOLD onto the handle if you lose control of the machine.

READ AND SAVE THESE INSTRUCTIONS

Floor Machines

MACHINE COMPONENTS



- 1) Handle
- 2) Power lever
- 3) Safety switch
- 4) Reset Fuse
- 5) Power cord
- 6) Handle pipe
- 7) Angle adjustable knob
- 8) Motor cover
- 9) Capacitor
- 10) Motor
- 11) Wheels
- 12) Skirt
- 13) Dust collector (641311 only)
- 14) Pressure adjustment knob
- 15) Caster
- 16) Pad driver

⚠ WARNING

Failure to heed these warnings, may result in property damage, personal injury and/or death

⚠ WARNING

Do not operate machine unless you have read and understand this manual.

⚠ WARNING

To prevent injury, always remove the electrical plug from the electrical outlet before changing the pad, before leaving the machine, and during any maintenance

⚠ WARNING

This machine can burn flammables materials. Do not use this machine with or near fuels, grain dust, solvents or other flammable materials.

⚠ WARNING

To prevent Injury, keep hands, feet, and loose clothing away from the rotating pad

⚠ WARNING

Always keep the electrical cord behind the handle, away from the rotating pad

⚠ WARNING

Always keep safe distance and working area free of obstacles during use.

⚠ WARNING

DO NOT HOLD onto the handle if you lose control of the machine.

Floor Machines

⚠ WARNING

Never use an extension cord in conjunction with the standard power cord.

⚠ CAUTION

Always test the machine in an open area and free of obstacle prior to use

⚠ WARNING

Failure to heed these warnings, may result in property damage, personal injury and/or death

⚠ WARNING

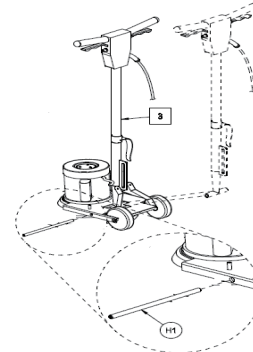
To prevent injury, always remove the electrical plug from the electrical outlet before changing the pad, before leaving the machine, and during any maintenance

PACKAGE CONTENT

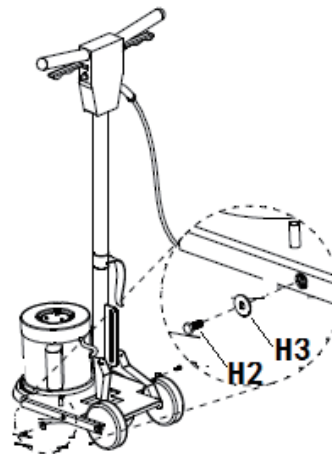
REF	QTY	DESCRIPTION
1	1	BODY ASSEMBLY
2	1	PAD HOLDER
3	1	HANDLE ASSEMBLY
4	1	HANGING WIRE HOOK
H1	1	THREADED ROD INSERT
H2	2	M6*16 HEX HEAD BOLT
H3	2	6.5mm ID PLAIN WASHER
H4	1	12.40mm ID PLAIN WASHER
H5	2	BUSHING
H6	1	ADJUSTMENT KNOB
H7	1	ADJUSTMENT LEVER

ASSEMBLY

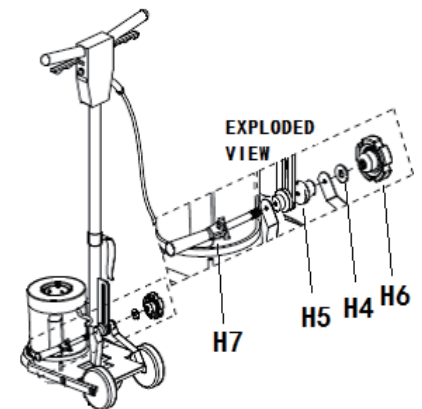
- 1) Attach handle assembly 2 to the body assembly 1 and insert threaded rod insert H1



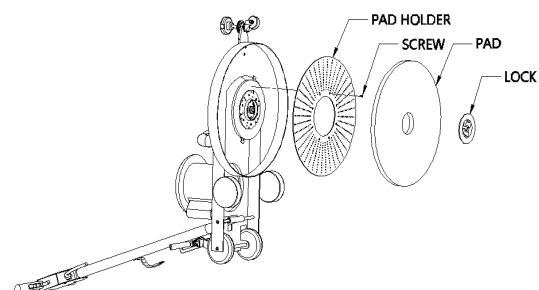
- 2) Secure with bolt head screw H2 and washer H3.



- 3) Attach Height Adjustable lever using H4, H5, H6, H7



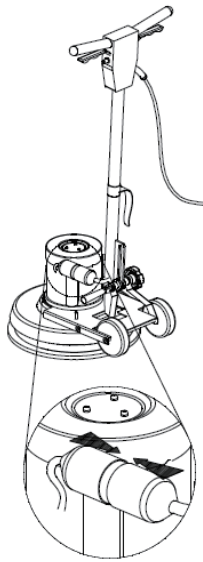
- 4) Lay down the machine and attach the pad driver and pad



Floor Machines

5) Connect the motor plug to the outlet on the handle

Plug the motor plug into the handle outlet



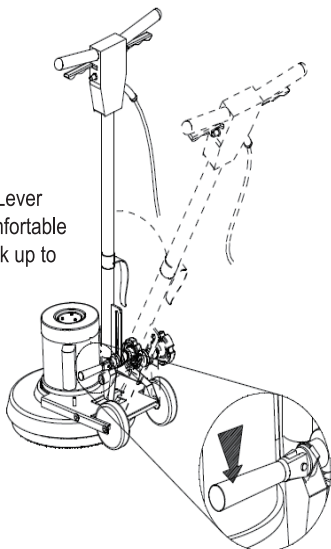
OPERATION

Warning

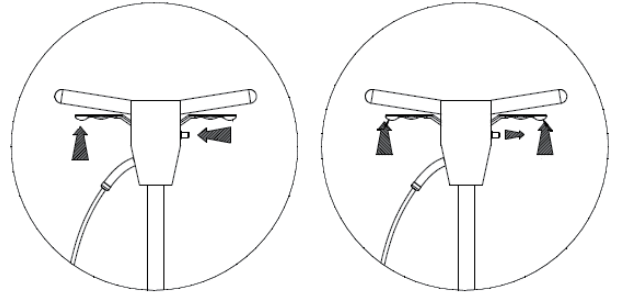
- Failure to heed these warnings, may result in property damage, personal injury and/or death
- This machine is intended for commercial use in indoor environment.
- This machine can burn flammable materials. Do not use this machine with or near fuels, grain dust, solvents or other flammable materials.
- To prevent injury, always remove the electrical plug from the electrical outlet before changing the pad, before leaving the machine, and during any maintenance
- To prevent injury, keep hands, feet, and loose clothing away from the rotating pad
- Always keep the electrical cord behind the handle, away from the rotating pad
- Always keep safe distance and working area free of obstacles during use.
- DO NOT HOLD onto the handle if you lose control of the machine.

- 1) Test in an open area, free of obstacles
- 2) Adjust the handle to a comfortable position, recommended position is below user's hip height

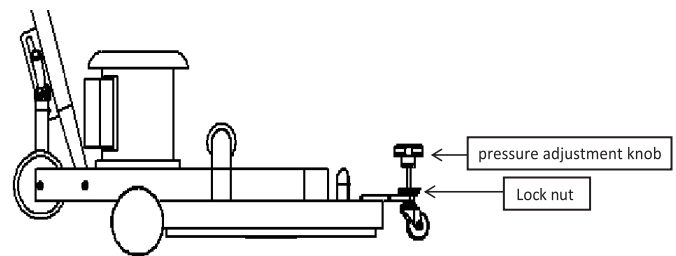
Push down the Adjustment Lever to adjust handle angle to a comfortable position. Push the handle back up to lock that position



- 3) Plug the machine into a 3-Prong grounded 120V/60HZ outlet
- 4) Push the safety switch and pull the Power Levers together and slowly. Release the Safety Switch once the machine is turned on. Both hands should be placed on the handle



- 5) Loosen the lock nut,
To increase the pressure on the ground, Rotate the pressure adjustment knob counterclockwise;
To reduce the pressure on the ground, Rotate the pressure adjustment knob clockwise.



Only 1/3 to 1/2 of the pad surface should be touching to the floor during use

- 6) Release the Power Lever to turn off the machine

MAINTANANCE

1. Unplug machine right after cleaning.
2. Tilt machine back and remove pad driver or brush.
3. Clean the outside of the machine with a mild cleaner.
4. Check power cord for any damage. If damage is detected, cord must be replaced immediately by authorized personnel.
5. Lubricate wheels with a water resistant lubricant once a month.
6. Check machine for loose or missing nuts and bolts, and replace as necessary.
7. If the machine is used in a dusty environment, you may remove the motor cover and blow the motor clean with compressed air. This will ensure proper ventilation, and allow the motor to run cooler.
8. For Model #641311, remove the dust collector and vacuum or replace it.

STORAGE

1. Unplug machine from power source and wrap cord on the handle and cord wrap
2. Tilt machine back and remove pad driver or brush.
3. Store machine in upright position and in dry location.