



□ **G1750BC** Eye/Face Wash, Wall Mounted, Stainless Steel Bowl and Cover



Application: Eye/face wash for wall mounting. Unit has stainless steel cover to protect bowl from dust, dirt and other contaminants. Two large FS-Plus™ spray-type outlet heads deliver a flood of water for rinsing eyes and face.

Spray Head Assembly: Two FS-Plus™ spray heads. Each head has an internal flow control and filter to remove impurities from the water flow.

Valve: 1/2" IPS chrome plated brass stay-open ball valve. Valve is US-made with chrome plated brass ball and Teflon® seals.

Bowl: 11-1/2" stainless steel bowl with cover. Cover is raised automatically when flag handle is activated. Cover closes when handle is returned to closed position.

Mounting: Heavy duty cast aluminum wall bracket with powder coated finish.

Supply: 1/2" NPT female inlet.

Waste: 1-1/4" NPT female outlet.

Sign: ANSI-compliant identification sign.

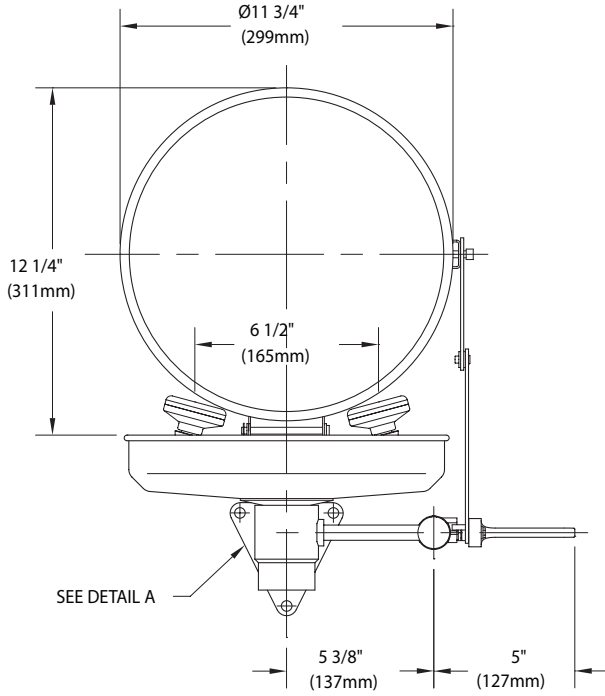
Quality Assurance: Unit is completely assembled and water tested prior to shipment.

Available Options

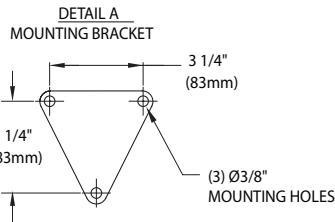
- **HS** Auxiliary hand-held drench hose for rinsing eyes, face or body.
- **T** Chrome plated brass tailpiece and trap with 1-1/2" IPS waste connection.
- **TP** 1-1/2" OD chrome plated brass tailpiece.
- **TMV** G3600LF thermostatic mixing valve precisely blends hot and cold water to deliver warm (tepid) water as required by ANSI Z358.1-2014. Refer to "Tempering Units" section for complete technical and product selection information.



□ G1750BC Eye/Face Wash, Wall Mounted, Stainless Steel Bowl and Cover

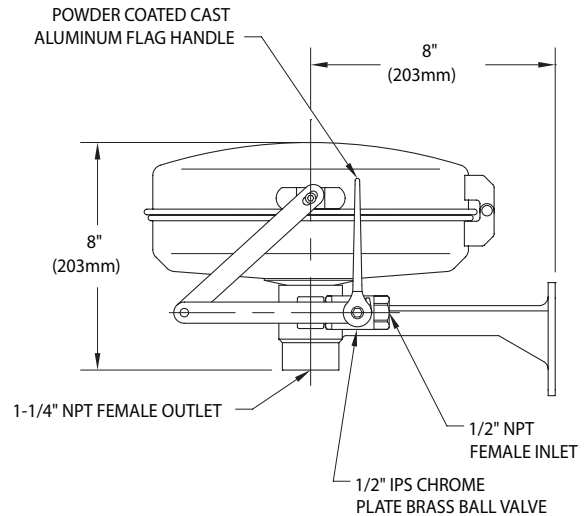
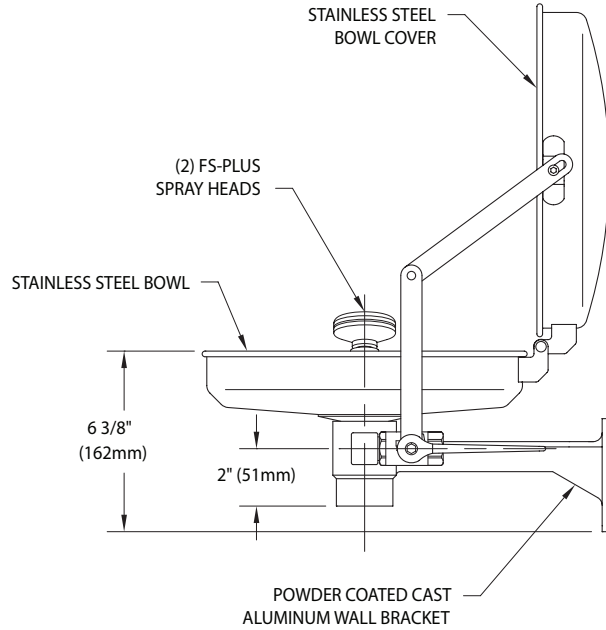


SEE DETAIL A



NOTES:

1. EACH FS-PLUS SPRAY HEAD HAS A "FLIP-TOP" DUST COVER, INTERNAL FLOW CONTROL AND FILTER TO REMOVE IMPURITIES FROM THE WATER FLOW.
2. UNIT SHOULD BE INSTALLED SO SPRAY HEADS ARE 33"-45" ABOVE FINISHED FLOOR.



THIS SPACE FOR ARCHITECT/ENGINEER APPROVAL

Due to continuing product improvement, the information contained in this document is subject to change without notice. All dimensions are $\pm 1/4"$ (6mm). rev. 0115

Sign Included

