

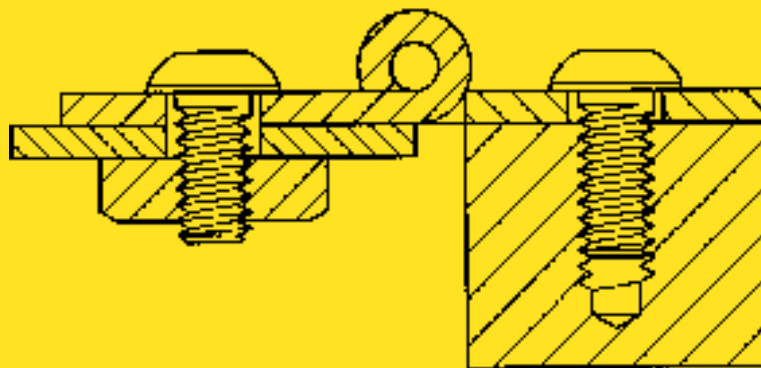


Holo-Krome®
The Difference is Easy To See

800-879-6205 • www.Holo-Krome.com • West Hartford, CT

PRODUCT DATA SHEET

Button Head Socket Cap Screw



Applications:

- Designed for light duty applications such as securing guards, covers, and ornamental fixtures
- Button Heads present a pleasing appearance to an assembly

Benefits:

- Unified standard threads are Class 3A UNRC and UNRF with Holo-Krome controlled radius roots and radiused run-out
- Closely controlled fillet between head and body provides maximum fatigue strength
- Inch Series: ASME/ANSI B18.3 and ASTM F 835
- Metric Series: Reference ISO 7380

Standard Button Head Socket Cap Screw

| DIAMETER | LENGTH UNDER HEAD | PRODUCT CODE NUMBER | |
|--|-------------------|---------------------|-------|
| | | UNRC | UNRF |
| #4 (.112") 40 UNRC 1/16" Key | 1/4" | 64002 | - |
| | 3/8" | 64004 | - |
| | 1/2" | 64006 | - |
| #6 (.138") 32 UNRC 5/64" Key | 1/4" | 64008 | - |
| | 3/8" | 64010 | - |
| | 1/2" | 64012 | - |
| | 5/8" | 64014 | - |
| #8 (.164") 32 UNRC 3/32" Key | 1/4" | 64016 | - |
| | 3/8" | 64018 | - |
| | 1/2" | 64020 | - |
| | 5/8" | 64022 | - |
| | 3/4" | 64024 | - |
| | 1" | 88348 | - |
| #10 (.190") 24 UNRC 32 UNRF 1/8" Key | 1/4" | 64026 | 65002 |
| | 3/8" | 64028 | 65004 |
| | 1/2" | 64030 | 65006 |
| | 5/8" | 64032 | 65008 |
| | 3/4" | 64034 | 65010 |
| | 7/8" | 64036 | 65012 |
| | 1" | 64038 | 65014 |
| 1/4" (.250") 20 UNRC 28 UNRF 5/32" Key | 3/8" | 64040 | 65016 |
| | 1/2" | 64042 | 65018 |
| | 5/8" | 64044 | 65020 |
| | 3/4" | 64046 | 65022 |
| | 7/8" | 64048 | - |
| 1" | 64050 | 65024 | |
| 5/16" (.312") 18 UNRC 24 UNRF 3/16" Key | 3/8" | 64052 | 65026 |
| | 1/2" | 64054 | 65028 |
| | 5/8" | 64056 | 65030 |
| | 3/4" | 64058 | 65032 |
| | 7/8" | 64060 | - |
| 1" | 64062 | 65034 | |
| 3/8" (.375") 16 UNRC 24 UNRF 7/32" Key | 1/2" | 64064 | 65036 |
| | 5/8" | 64066 | - |
| | 3/4" | 64068 | 65037 |
| | 7/8" | 64070 | - |
| | 1" | 64072 | 65038 |
| | 1-1/4" | 64074 | - |
| 1/2" (.500") 13 UNRC 5/16" Key | 1" | 64076 | - |
| | 1-1/4" | 64078 | - |
| | 1-1/2" | 64080 | - |
| | 2" | 64082 | - |
| 5/8" (.625") 11 UNRC 3/8" Key | 1" | 64084 | - |
| | 1-1/4" | 64086 | - |
| | 1-1/2" | 64088 | - |
| 2" | 64090 | - | |

Metric Button Head Socket Cap Screw

| DIAMETER | LENGTH UNDER HEAD | PRODUCT CODE NUMBER | |
|---------------------------------------|-------------------|---------------------|------|
| | | UNRC | UNRF |
| M3 Pitch 0.50 2mm Key | 8 | 86001 | |
| | 10 | 86003 | |
| | 12 | 86005 | |
| | 16 | 86006 | |
| M4 Pitch 0.70 2.55mm Key | 8 | 86007 | |
| | 10 | 86009 | |
| | 12 | 86011 | |
| | 16 | 86013 | |
| M5 Pitch 0.80 3mm Key | 10 | 86015 | |
| | 12 | 86017 | |
| | 16 | 86019 | |
| | 20 | 86021 | |
| | 25 | 86023 | |
| | 30 | 86025 | |
| | 30 | 86027 | |
| M6 Pitch 1.00 4mm Key | 10 | 86027 | |
| | 12 | 86029 | |
| | 15 | 86030 | |
| | 16 | 86031 | |
| | 18 | 86032 | |
| | 20 | 86033 | |
| | 22 | 86034 | |
| | 25 | 86035 | |
| | 30 | 86037 | |
| | 30 | 86039 | |
| M8 Pitch 1.25 5mm Key | 10 | 86039 | |
| | 12 | 86041 | |
| | 16 | 86043 | |
| | 20 | 86045 | |
| | 25 | 86047 | |
| | 30 | 86049 | |
| | 35 | 86050 | |
| | 40 | 86051 | |
| M10 Pitch 1.50 6mm Key | 15 | 86052 | |
| | 16 | 86053 | |
| | 20 | 86055 | |
| | 25 | 86057 | |
| | 30 | 86059 | |
| | 35 | 86060 | |
| | 40 | 86061 | |
| M12 Pitch 1.75 8mm Key | 16 | 86062 | |
| | 20 | 86063 | |
| | 25 | 86065 | |
| | 30 | 86070 | |
| | 35 | 86075 | |
| | 40 | 86080 | |
| | 50 | 86085 | |