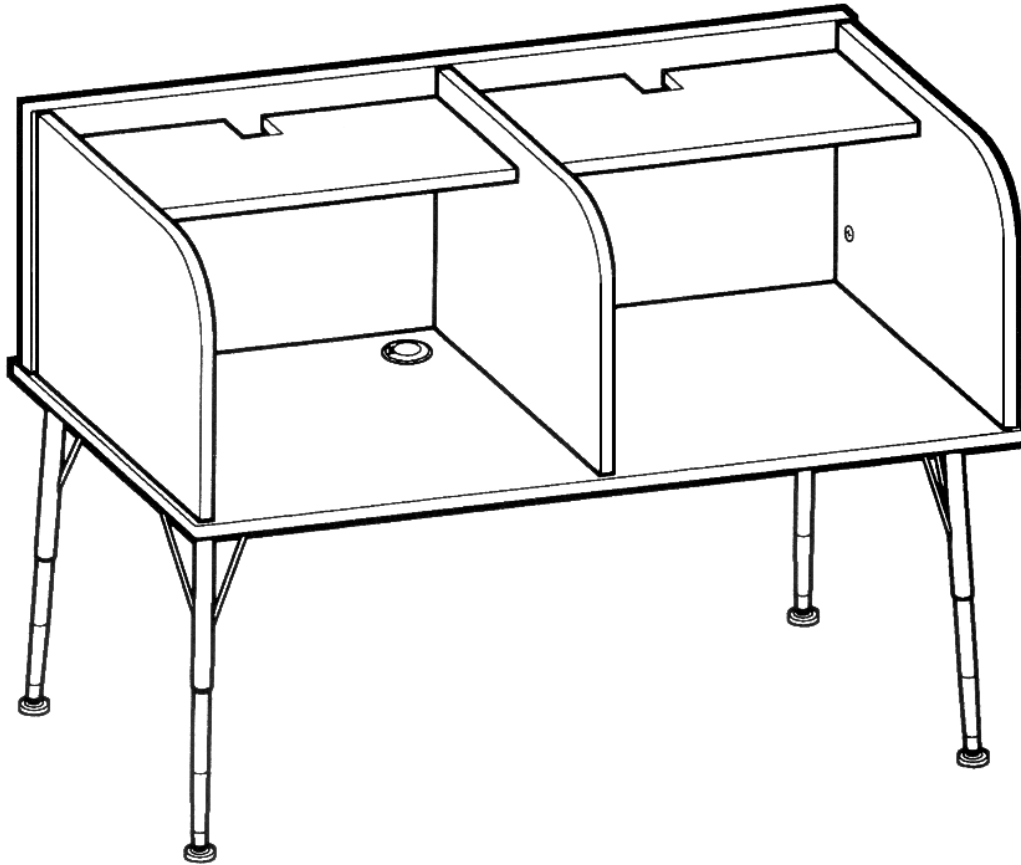




# IRONWOOD

## CSS

### COMPUTER CARREL



#### **IMPORTANT!**

**Assembly may require the assistance of another person.**

**Before you begin assembly:**

**READ THE DIRECTIONS** all the way through one time. This will speed up the process and help you understand the sequence of steps.

**COUNT THE PARTS AND HARDWARE** before assembly. This ensures you have received all necessary parts before you begin.

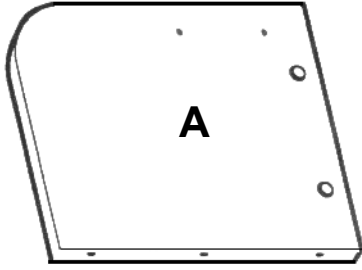
**TOOLS:** You may need a Phillips head screwdriver, a medium slotted screwdriver or a plastic mallet. To protect your new furniture from damage during assembly, it is recommended to work on a carpeted surface.

In the event any parts are missing from this package, send your name, address, telephone number, and a description of the missing part(s) to: **PARTS, Box 1420, Missoula, MT 59806** or call: **1-800-769-5693** or **FAX 1-800-445-5281**.

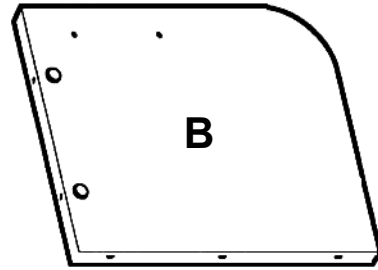
**CAUTION:** On assemblies requiring glue, make sure the unit is assembled correctly before gluing. Once this unit is assembled with glue, the manufacturer will not be responsible for damaged parts. Keep a damp cloth or sponge handy to wipe off excess glue.

To care for this furniture, simply wipe with a cloth dampened with glass cleaner containing ammonia-D.

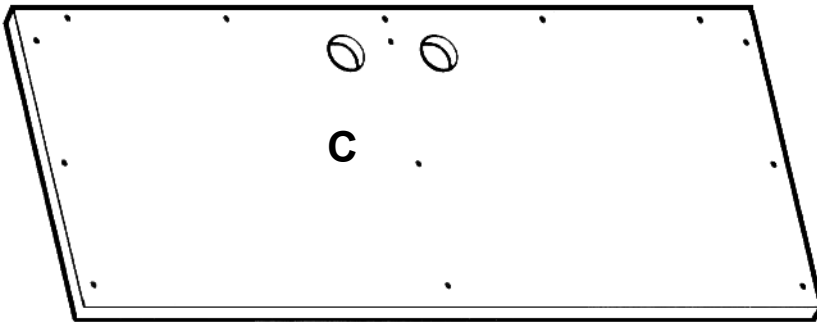
# PARTS DIAGRAM



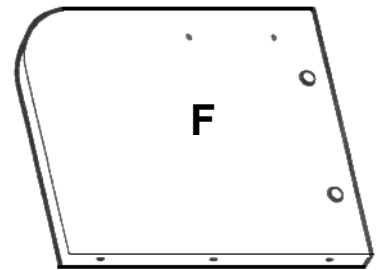
Left Side	06000141	1 ea.
-----------	----------	-------



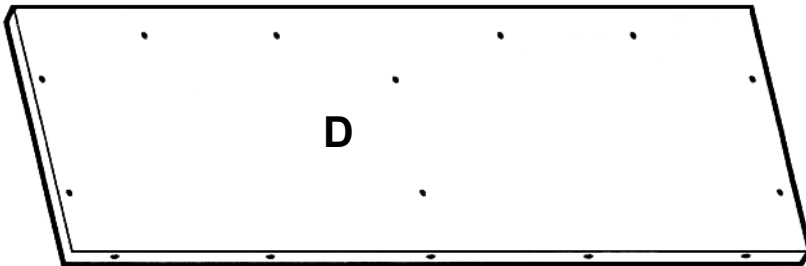
Right Side	06000141	1 ea.
------------	----------	-------



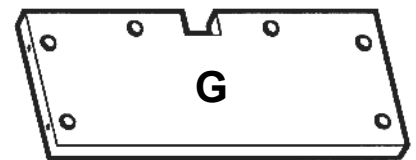
Worksurface	06000301	1 ea.
-------------	----------	-------



Center Panel	06000341	1 ea.
--------------	----------	-------

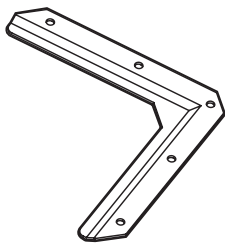


Back	06000352	1 ea.
------	----------	-------



Shelf	06000127	2 ea.
-------	----------	-------

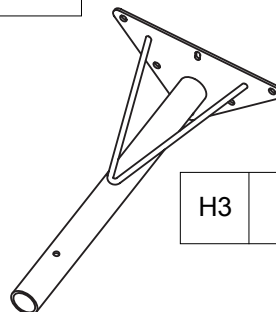
# HARDWARE



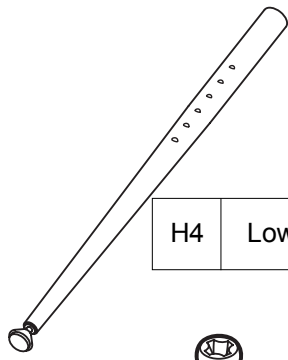
H1	Leg Bracket	300810	4 ea.
----	-------------	--------	-------



H2	Panhead Screw	901220	24 ea.
----	---------------	--------	--------



H3	Upper Leg	1CCLEG	4 ea.
----	-----------	--------	-------



H4	Lower Leg	1CCLEG	4 ea.
----	-----------	--------	-------



H5	Allen Head Screw	1CCLEG	4 ea.
----	------------------	--------	-------



H6	Minifix Cam	909810	18 ea.
----	-------------	--------	--------



H7	Minifix Bolt	909834	14 ea.
----	--------------	--------	--------



H8	Through Bolt	909852	2 ea.
----	--------------	--------	-------



H9	Confirmat Screw	950100	14 ea.
----	-----------------	--------	--------

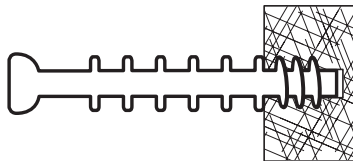


H10	Cord Grommet	H1480	2 ea.
-----	--------------	-------	-------

### Using the Minifix System:

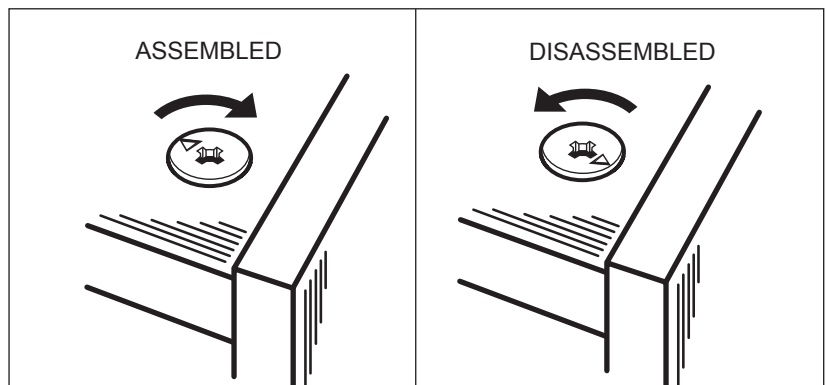
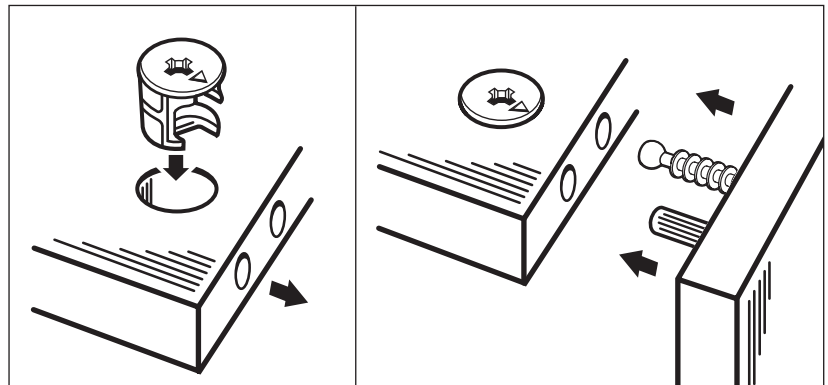
Insert the Minifix Cams into the appropriate holes with the arrow facing outwards as shown.

When screwing post into hole, **Do Not** over tighten. Screw post down until bottom face of post flange just touches board surface.



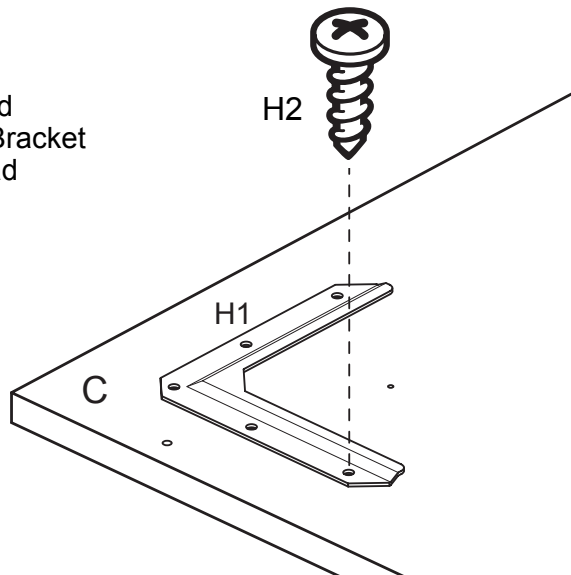
Using the #2 Phillips screwdriver, rotate the Cam Devices a half turn clockwise until snug.

To disassemble, turn the Cam Devices counter-clockwise and remove panels.



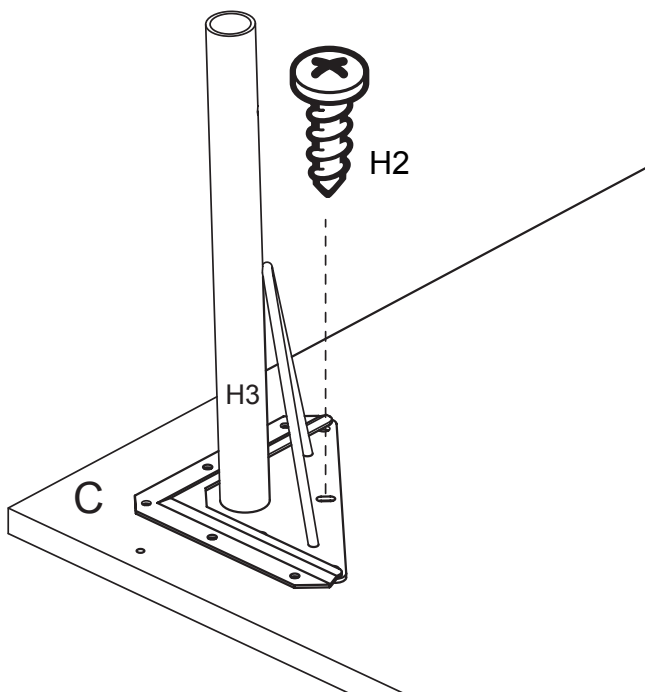
**#1**

Place the Worksurface (C) face down on a clean, carpeted surface with the pre-drilled holes facing up. Install a Leg Bracket (H1) at each corner of the Worksurface using five Panhead Screws (H2) in the pre-drilled holes as shown.



**#2**

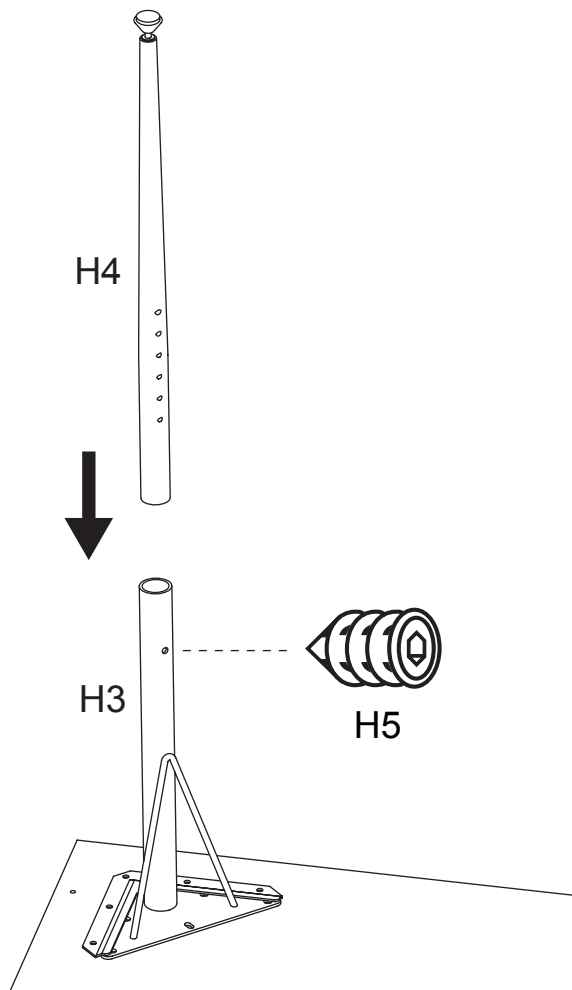
Slide an Upper Leg (H3) into each set of Leg Brackets (H1) and secure in place using a Panhead Screw (H2) in the pre-drilled hole as shown.



**#3**

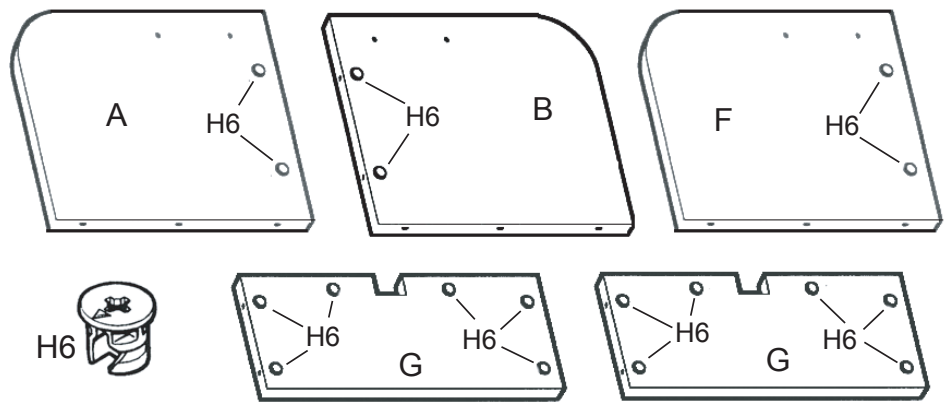
Slide a Lower Leg (H4) into each Upper Leg (H3). Select the desired height and secure in place using an Allen Head Set Screw (H5) as shown.

Repeat this step on the remaining legs.



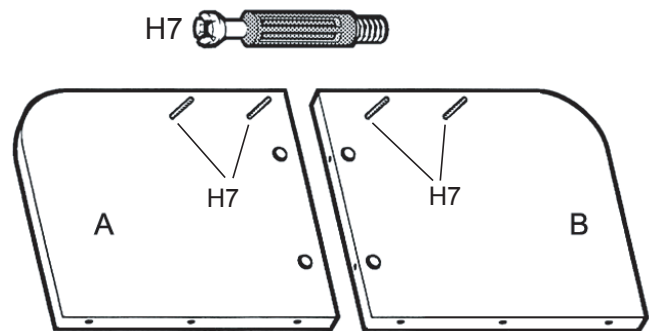
## #4

Place the Left Side (A), Right Side (B), Center Panel (F) and the two Shelves (G) as shown. Insert the 18 Minifix Cams (H6) where indicated with the arrows of the cams facing out.



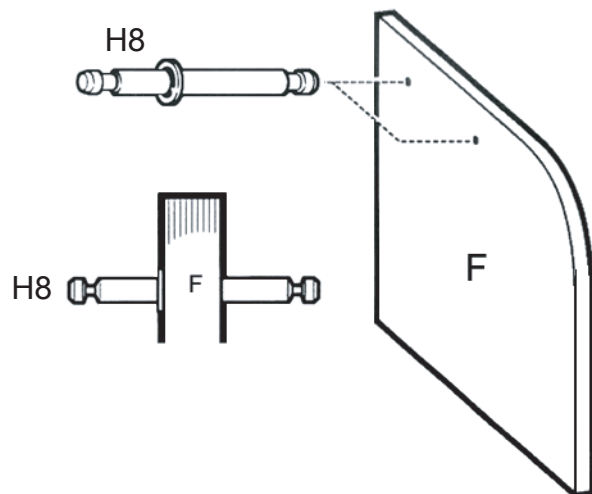
## #5

Screw two Minifix Bolts (H7) into the Left Side (A) and Right Side (B) where indicated.



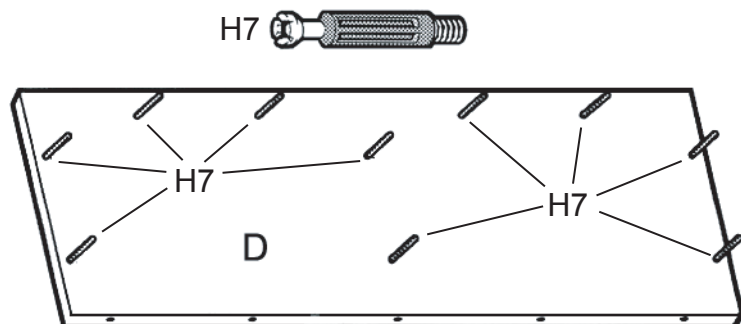
## #6

Insert two Through Bolts (H8) into the pre-drilled holes of the Center Panel (F) as shown.



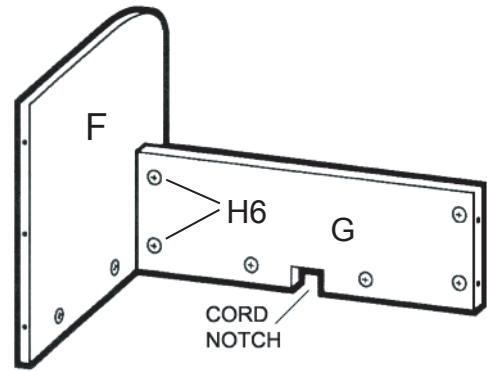
## #7

Screw ten Minifix Bolts (H7) into the Back (D) where indicated.



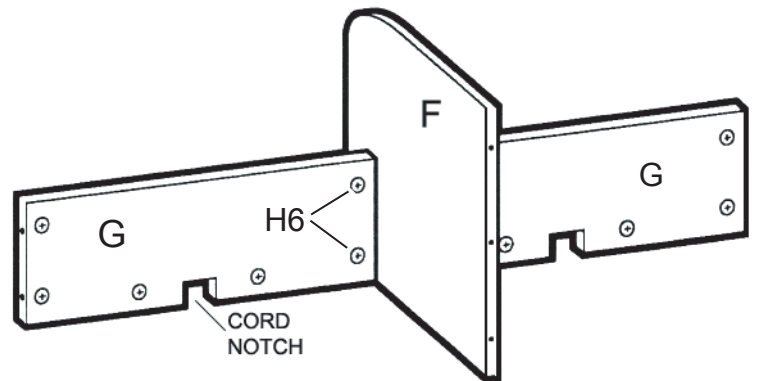
**#8**

Position a Shelf (G) with the cord notch oriented as shown onto the Center Panel (F). Secure in place by turning the Minifix Cams (H6) clockwise to secure.



**#9**

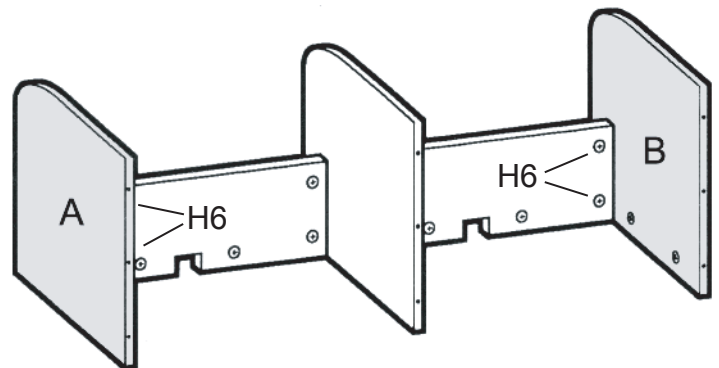
Position the other Shelf (G) to the other side of the Center Panel (F) with the cord notch oriented as shown. Secure in place by turning the Minifix Cams (H6) clockwise to secure.



**#10**

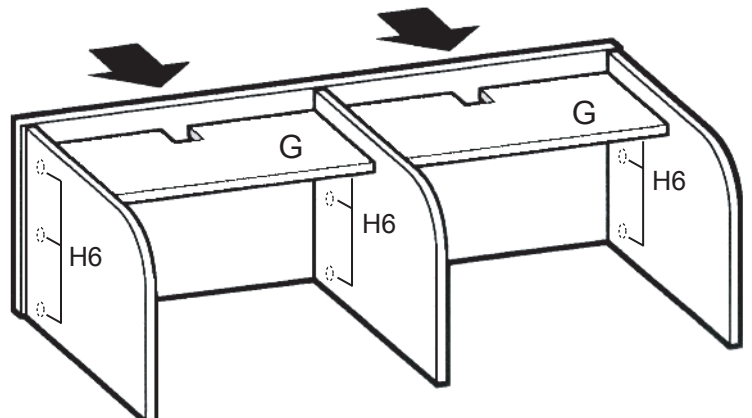
Place the Left Side (A) onto the other end of a Shelf (G) as shown. Turn the Minifix Cams (H6) of the Shelf clockwise to secure.

Place the Right Side (B) onto the other Shelf as shown. Turn the Minifix Cams of the Shelf clockwise to secure.



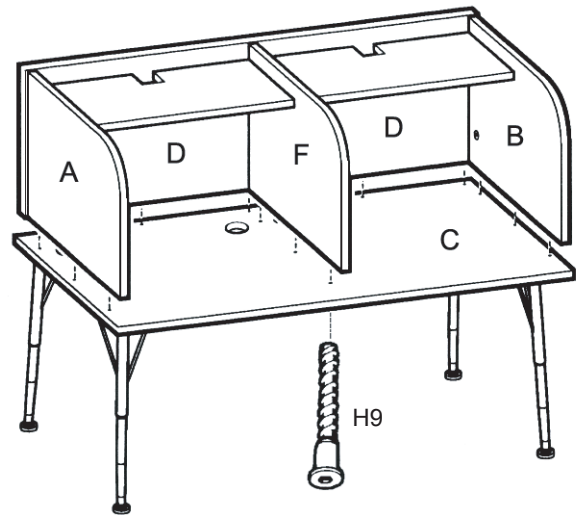
**#11**

With the assistance of another person, turn the assembly upright as shown. Position the Back (D) onto the assembly and turn the nine cams clockwise to secure.

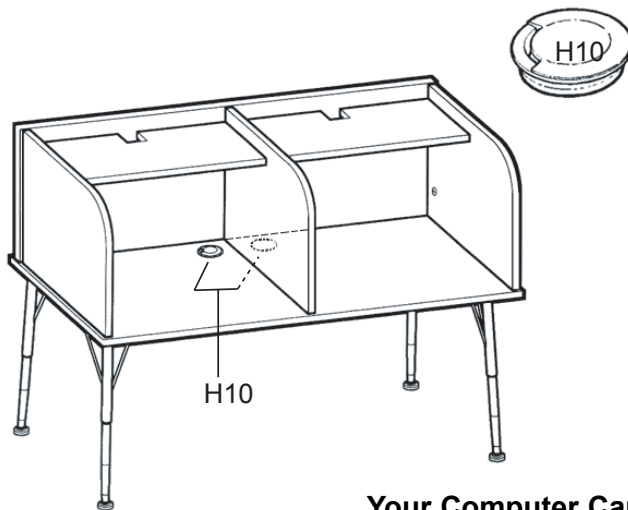


## #12

With the assistance of another person, place the assembly onto the Worksurface (C) as shown. Secure in place using fourteen Confirmat Screws (H9) through the Worksurface (C) into the pre-drilled holes in the bottom edges of the upper assembly.



Press two Cord Grommets (H10) into the holes of the Worksurface (C) as shown.



**Your Computer Carrel is now fully assembled and ready for use.**