

GLOBAL INDUSTRIAL.COM
CUSTOM ORDER REQUEST

Check the box next to the item needed.
 Then indicate custom stacking order on drawings below, use alphabetic key code.
 (use the tab key to move from box to box)

FENCE HEIGHT / INSTALL TYPE / POST LENGTH

4 ft. High / Surface Mount / 4 ft. Post

6 ft. High / Surface Mount / 6 ft. Post

6 ft. High / In-Ground / 8 ft. Post

BOARD COLOR(S)

Oxford Grey (composite) **A**

King Cedar (composite) **B**

Black Rose (composite) **C**

Solid Black (Aluminum) **D**

*color swatches available
 color approval required to order*

DECORATIVE TOP PIECE

Lattice Top (equals 3 boards) **E**

POSTS *(if both boxes are checked, we assume standard posts for fence, heavy-duty for gates only)*

Standard (4, 6, & 8 ft. only)

Heavy-Duty (6, 8, & 10 ft. only)

(recommended for gates & high-wind areas)

INDICATE QUANTITIES NEEDED

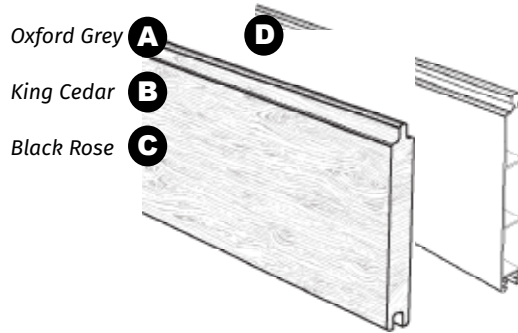
Starter Section *(includes 2 posts)*

Add-On Section *(includes 1 post)*

Gate Kit *(includes 1 Heavy-duty post)*

RETURN TO YOUR SALES REP FOR QUOTE

CUSTOM STACKING ORDER



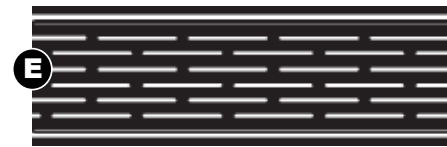
Oxford Grey **A**

King Cedar **B**

Black Rose **C**

*color swatches available
 color approval required to order*

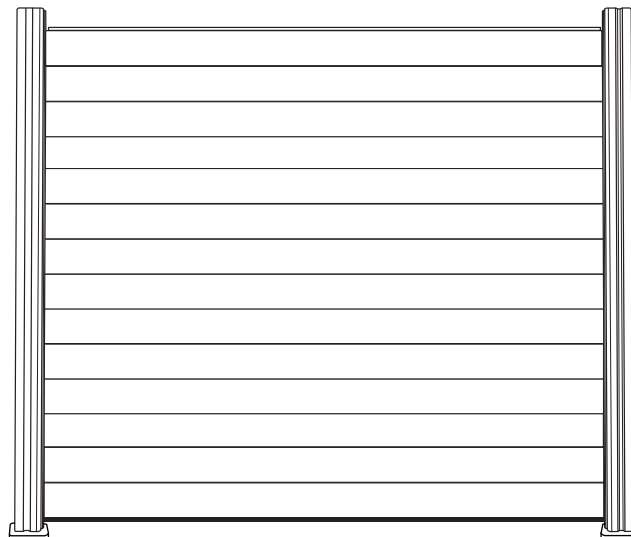
Using this alphabetic key, indicate the desired custom stacking order on the drawings below.



(equals 3 boards)

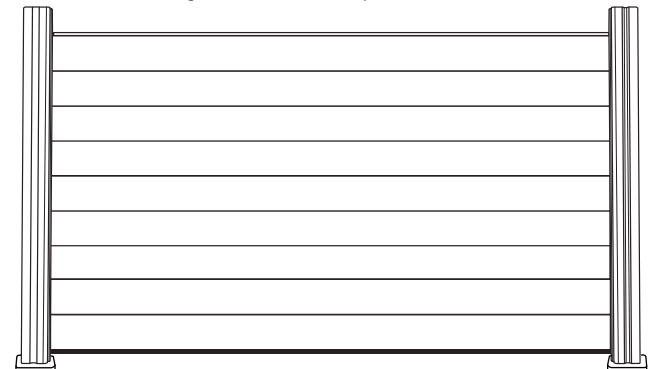
6 ft. High = 14 boards total
(Lattice top = 3 boards)

indicate stacking order, use tab key to move to the next board



4 ft. High = 9 boards total
(Lattice top = 3 boards)

indicate stacking order, use tab key to move to the next board



(surface mount bracket shown - it is NOT included for in-ground installations)

CUSTOMER APPROVAL	
<input type="checkbox"/> APPROVED <input type="checkbox"/> APPROVED AS NOTED <input type="checkbox"/> REVISE AND RESUBMIT	SIGNED: _____ DATE: _____
TITLE: 5'-9" x 11'-6" ALUMINUM SHELTER	
JOB NO: _____	
LOCATION: _____	
MOD NO: ALS612A1FR	
COLOR: _____	
DATE: _____	
DRAWN BY: _____	
APPROVED BY: _____	
SCALE: _____	
SHEET: _____	

NOTICE: Jewett-Cameron Company claims proprietary rights in the information disclosed on this drawing. It is issued in confidence for custom order quote only and may not be used, in whole or in part, to manufacture anything whether or not shown hereon, reproduced or disclosed to anyone without direct written permission from