

FL-1 FLOOR MOUNTED SERV-A-SINK®
L-1 WALL HUNG SERV-A-SINK®
DL-1 DROP-IN SERV-A-SINK®

Fiat Products uses a specialized SMC process (Molded Stone®) to manufacture all laundry tubs. Moldings are manufactured in matched metal dies under heat and pressure resulting in a homogeneous molded unit. Drain(s) with stopper(s) are furnished as standard equipment. Capacity shall be 76 litres (17 Imp gal) for the single tub sink and 152 litres (33 Imp gal) for the double tub sink. Laundry sinks available in white only.

- All single compartment laundry tubs are available in sixpacks (L-6 and FL-6) and bulk quantities.
- All products must be installed in accordance with installation instructions provided. Failure to do so may invalidate warranty at manufacturer's discretion.

FL-1 Floor Mounted Serv-A-Sink®

- White baked enamel angle legs that slip into molded sockets for rigid, friction-fit. (Included)
- Easy leveling devices are provided for fast, even planing. Tub is capable of handling 600 pounds.

Nominal Dimensions:

Overall Outside Dimensions:
20-1/4" x 17-1/4" x 13" (514 x 438 x 330mm)
Overall height from floor
34-3/4" (883mm) CSA Approved

L-1 Wall Hung Serv-A-Sink®

- Heavy gauge galvanized - steel bracket capable of withstanding 600 pounds. (Included)
- Side fillers and bottom tub support, which are assembled in field to the mounting brackets, are made of white molded plastic polymer.

Nominal Dimensions:

20-1/4" x 17-1/4" x 13" (514 x 438 x 330mm)

DL-1 Drop-In Serv-A-Sink®

- Designed for a countertop installation.
- Self-rimming flange, four locking corner bars and screws for fast tightening into integral molded mounting legs and against the underside of the countertop. (Included)

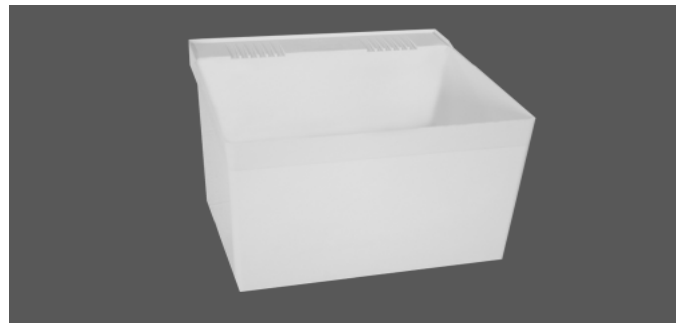
Nominal Dimensions:

22-1/8" x 17" x 12-3/7" (562 x 432 x 324mm)
Underside flange rim sealant for watertightness supplied by others.

Customer Service Canada
1-800-387-0369
www.fiat.ca



FL-1 Floor Mounted Serv-A-Sink®



L-1 Wall Hung Serv-A-Sink®

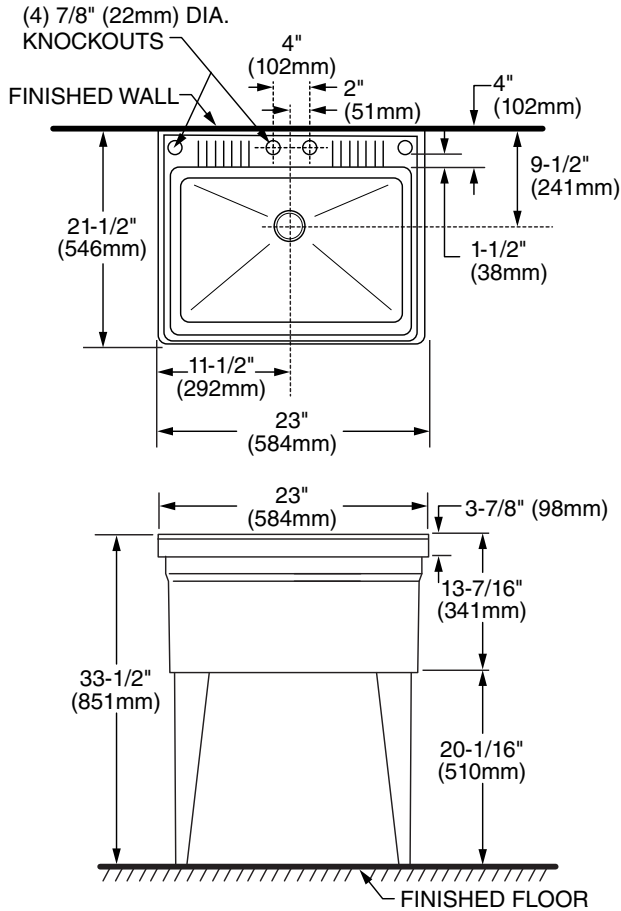


DL-1 Drop-In Serv-A-Sink®

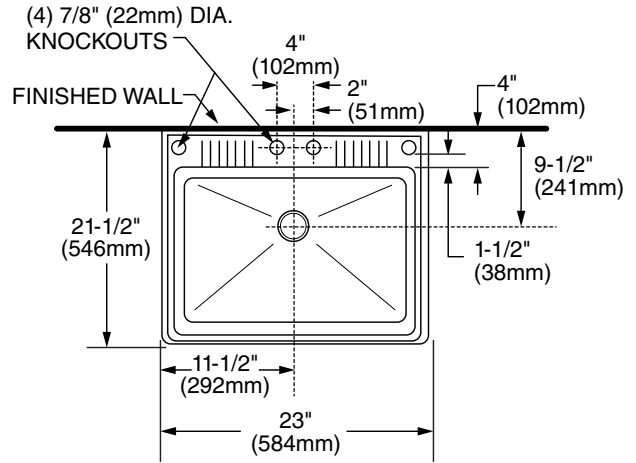
SEE REVERSE FOR ROUGHING-IN DIMENSIONS

All products are UPC listed

MODEL FL-1
FLOOR MOUNTED



MODEL L-1
WALL HUNG



IMPORTANT: Roughing-in dimensions may vary 1/2" and are subject to change or cancellation without prior notice.

MODEL DL-1
DROP-IN

