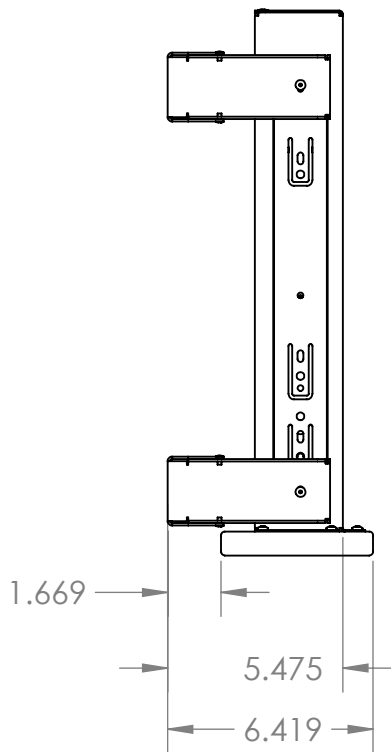
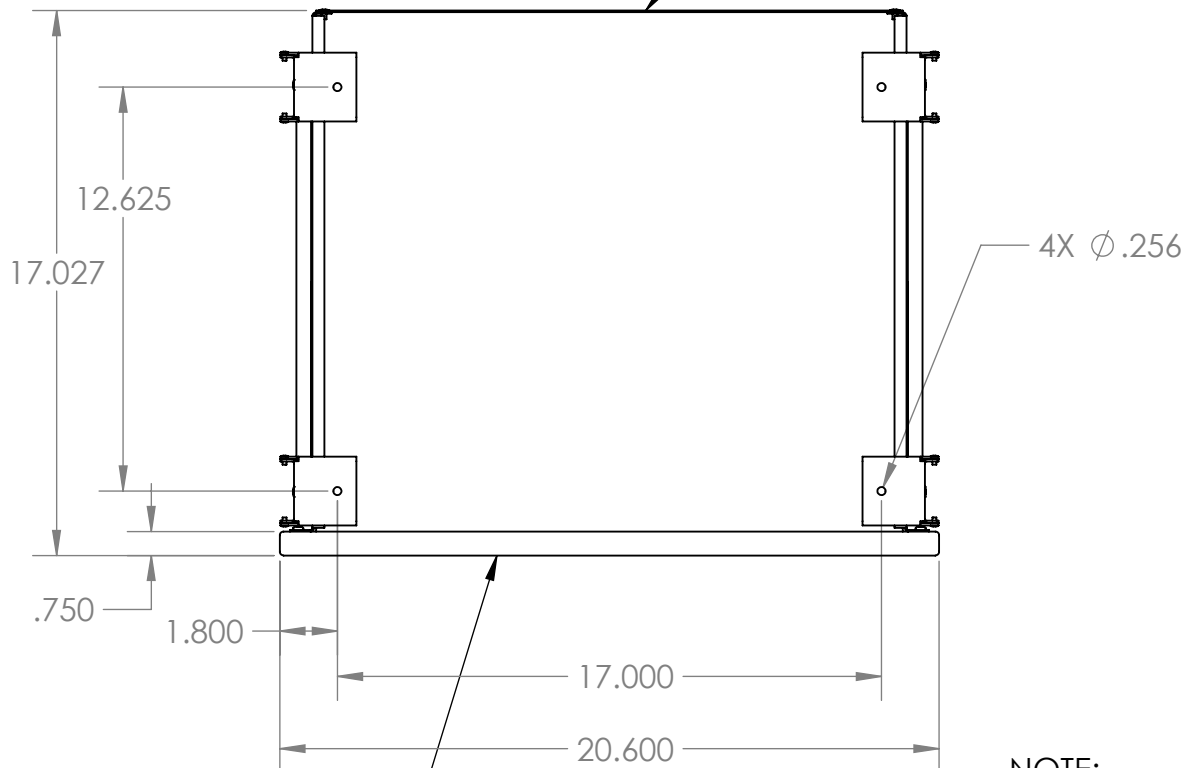


MATERIAL: CRS
 FINISH: MEDIUM TEXTURE
 POWDER COAT BLACK



AFRICAN MAHOGANY
 MELAMINE FRONT PANEL

- NOTE:
 1. DRAWER EXTENSION, 14" @ 100lbs.
 2. USABLE DRAWER INTERIOR: 18.5"W X 16.2"D X 2.7"H.

PROPRIETARY AND CONFIDENTIAL
 THE INFORMATION CONTAINED IN THIS DRAWING IS THE SOLE PROPERTY OF KENDALL HOWARD. ANY REPRODUCTION IN PART OR AS A WHOLE WITHOUT THE WRITTEN PERMISSION OF KENDALL HOWARD IS STRICTLY PROHIBITED.

WEB PRINT

NEXT ASSY USED ON

CATEGORY:

UNLESS OTHERWISE SPECIFIED:
 DIMENSIONS ARE IN INCHES
 TOLERANCES:
 FRACTIONAL: NA
 ANGULAR: BEND: NA
 TWO PLACE DECIMAL: NA
 THREE PLACE DECIMAL: NA
 HOLES: NA

SURFACE AREA
 MATERIAL
 FINISH

DO NOT SCALE DRAWING

	NAME	DATE
DRAWN		
CHECKED		
ENG APPR.		
MFG APPR.		
Q.A.		
COMMENTS:		

KENDALL HOWARD

TITLE:
**SLIDING ACCESSORY
 DRAWER PAN ASSY**

SIZE	DWG. NO.	REV
A	5200-3-205-00 WP	-

SCALE: 1:8	WEIGHT: 11.99	SHEET 1 OF 1
------------	---------------	--------------