

KT2

Adjustable Height &
Angle Keyboard Tray

■ ASSEMBLY & OPERATING INSTRUCTIONS:

IMPORTANT: Before using your KT2:

- 1** Read and clearly understand the contents of this manual
- 2** Understand how to adjust KT2 correctly
- 3** Practice adjusting KT2 with nothing on it.

Have Questions? Need Help?

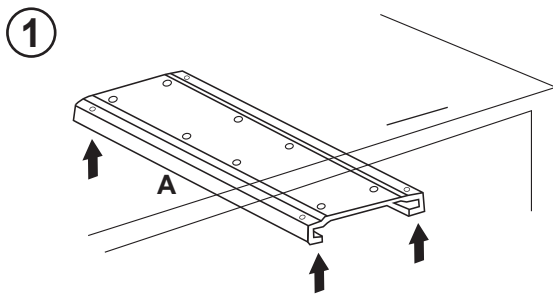
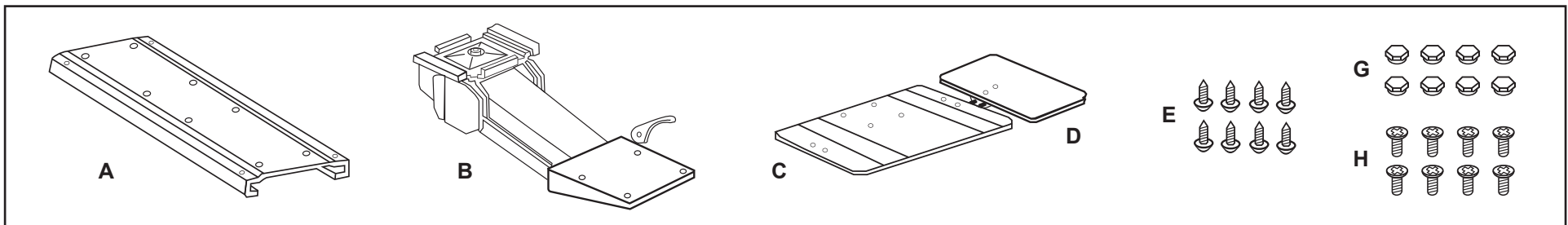
Our A+ customer support team is here to help:

EMAIL: info@UncagedErgonomics.com

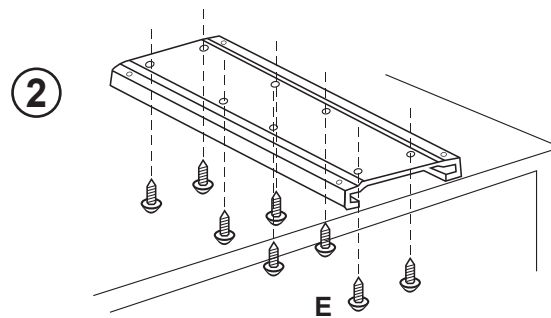
PHONE: 240-583-0517

KT2 allows you to easily adjust the height & angle of your keyboard to optimize your typing posture.

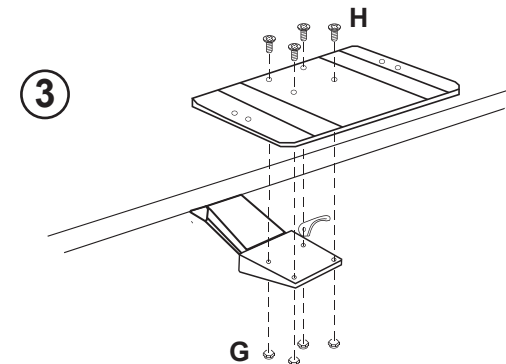
IMPORTANT: BEFORE using KT2 or placing a keyboard & mouse on KT2, practice adjusting KT2's height & angle.



1. Align the Rail (A) with the edge of your desk



2. Use 8 E screws to connect the Rail (A) to the bottom of your desk.

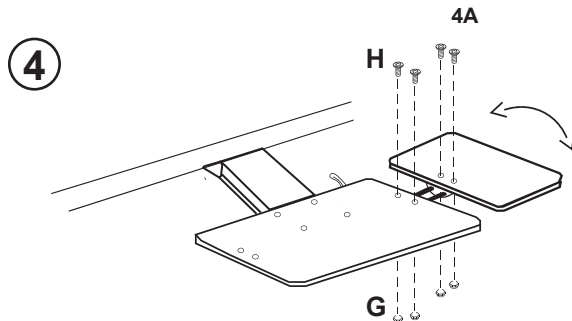


6. Attach the Keyboard Panel (C) to the mounting panel with 4 H Screws & 4 G nuts.

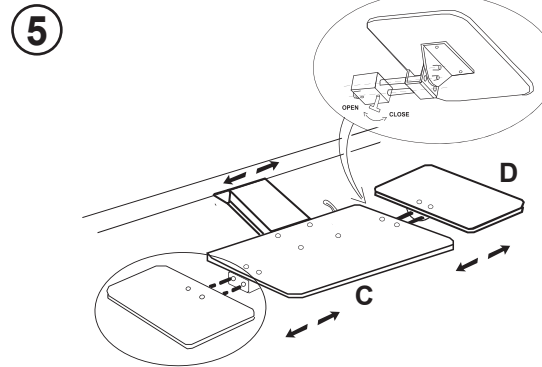
KT2

Adjustable Height &
Angle Keyboard Tray

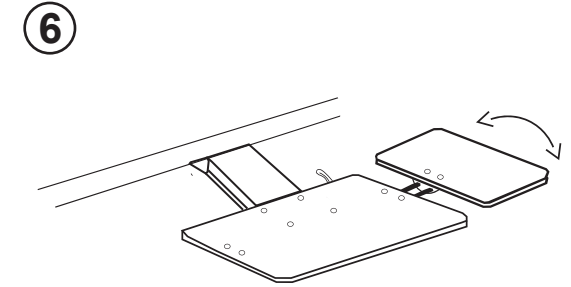
■ ASSEMBLY & OPERATING INSTRUCTIONS:



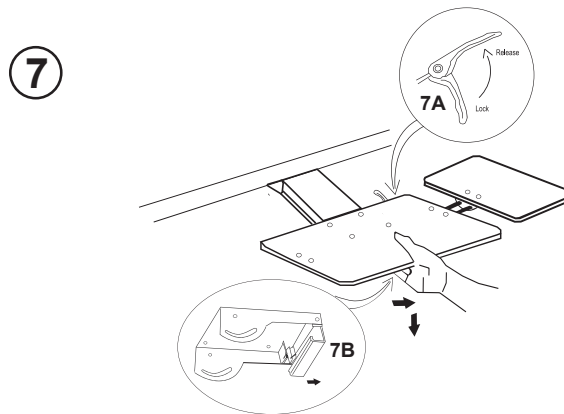
4. Connect the metal Mouse Pad Bracket to the keyboard tray using 2 H Screws & 2 G Nuts.
4A. Connect the Mouse Pad to the Mouse Pad Bracket using 2 H Screws & 2 G Nuts.



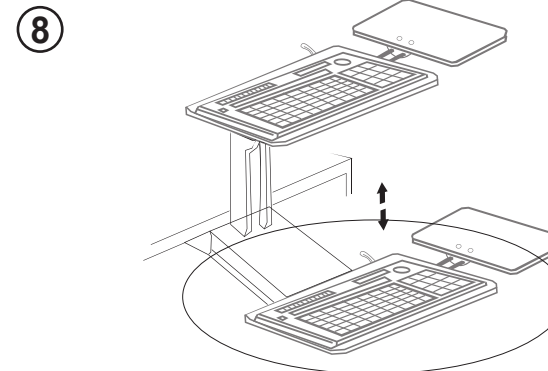
5. The **Mouse Pad (D)** attaches to the right or left side of the **Keyboard Tray (C)**. Release the thumb screw on the attachment to move the Mouse Pad closer to or farther away from the Keyboard tray.



6. Press down to tilt the Mouse Pad and adjust its' angle. If the mouse pad is too loose, tighten the 2 screws on the mouse pad mounting bracket.



7. The Keyboard Tray slides in/out by pushing/pulling.
7A. To adjust the Keyboard Tray's angle, release the lever under the keyboard tray.
7B. To raise/lower the Keyboard tray, squeeze the handle under the front of the keyboard tray. Release it to lock the keyboard tray in place.



8. KT2 is adjustable from below your desk to above your desk. For fast adjusting: remove your mouse, release the lever (7A) & squeeze the handle (7B). When you've reached the perfect height, release the handle and then tighten the lever.