



A Regal Brand

Catalog # : 096013.00
Product Type: ACSG
Description:

Model: 096013.00
Stock: Y

Engineering Data

RPM	58/48	Volts	230/460	Volts	
HP/KW	.33/.33	F.L. Amps	2/1	F.L. Amps	1.6/.8
Frame	42Y	S. F Amps		S. F Amps	
Max Amb	40	Hertz		Phase	3
Insul Class	F4	Duty	CONT	TYPE	TF
Eff 100%		Serv. Factor	1.0/1.0	PF	
Protection	NOT	Eff 75%		Enclosure	TEFC
Design		Therm.Prot.		Bearing OPE	6201-13
UL	Yes	Code	L	Bearing PE	6203
Series	PE350	CSA	Yes	CE	No
		Nameplate	080573	Lubrication	
		Overrlung Ld.	300	Shaft Type	PARALLEL

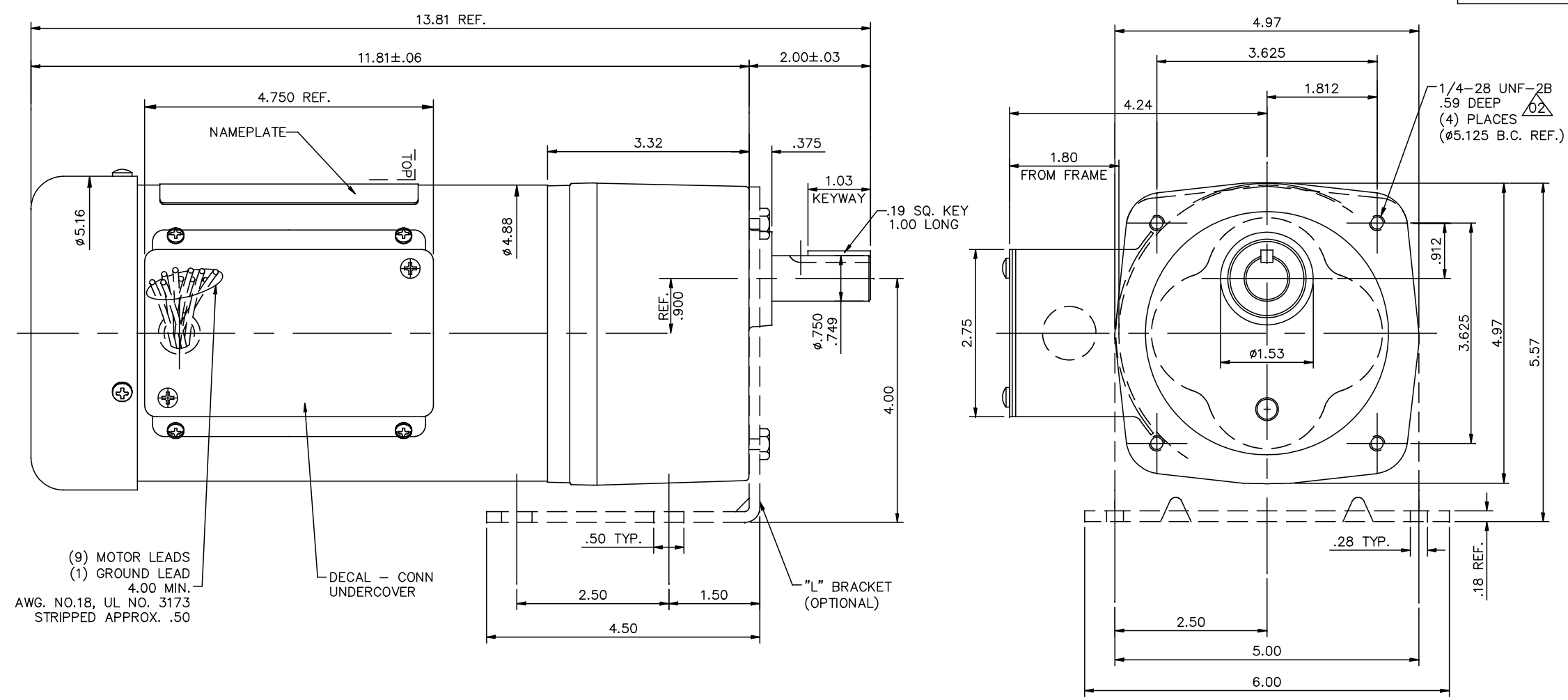
Motor Wt.	30 LB	Mounting	SPECIAL	Rotation	RECONN
Carton Label	Leeson GearMotor	Assembly		Ext. Diag2.	
Winding	T47413	Shaft Dia.	3/4	Packaging	B
GROUP :	3 A	Paint	M1305027.01	Cust Part No	
Test Card	02	Outline	027696-096013		

Form Factor		RMS Amps	
Torque		Peak	
AB Code		Peak@DegC	
Resistance			
Connection		Const Torque	

Rework Status Rework TYPE

4Explosion Proof		2Brake Motors
Temp Op Code		FORCE
Class	GROUP	VDC
Class	GROUP	ADC

027696



CATALOG NUMBER	OUTPUT RPM	FULL LOAD TORQUE LB.-IN.	INPUT HP	OVERHUNG LOAD LBS.	RATIO TO 1
096013.00	58	320	1/3	300	30
096014.00	85	218	1/3	300	20
096015.00	173	109	1/3	300	10
096016.00	345	55	1/3	300	5

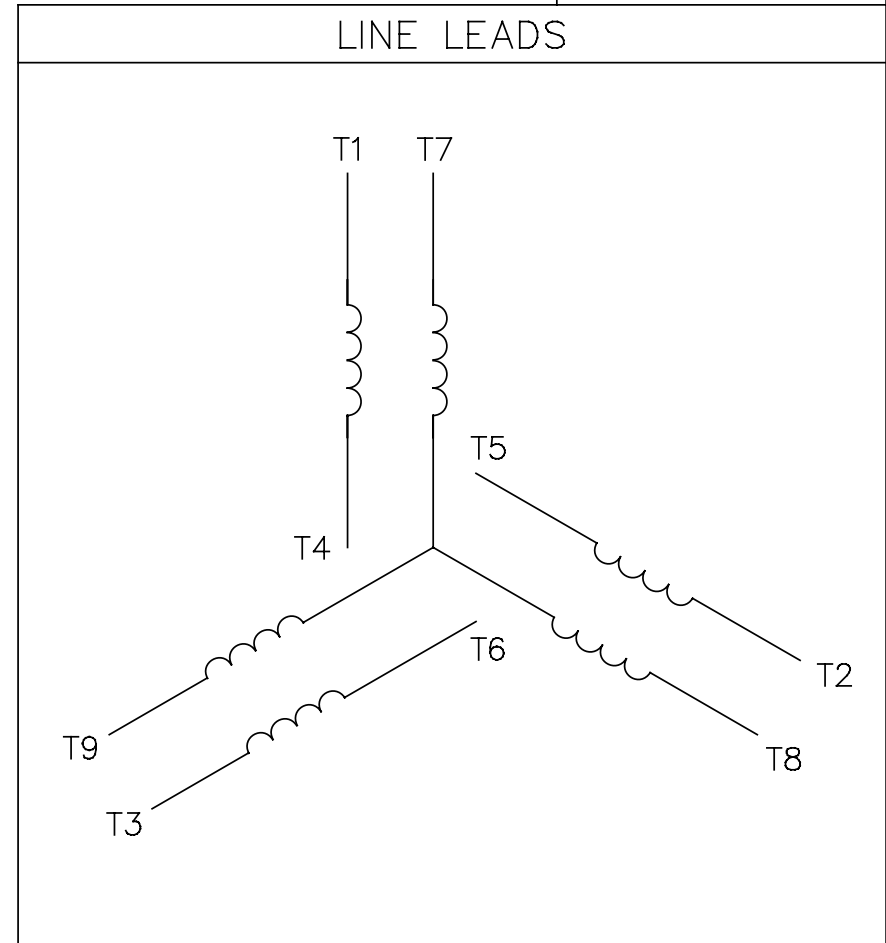
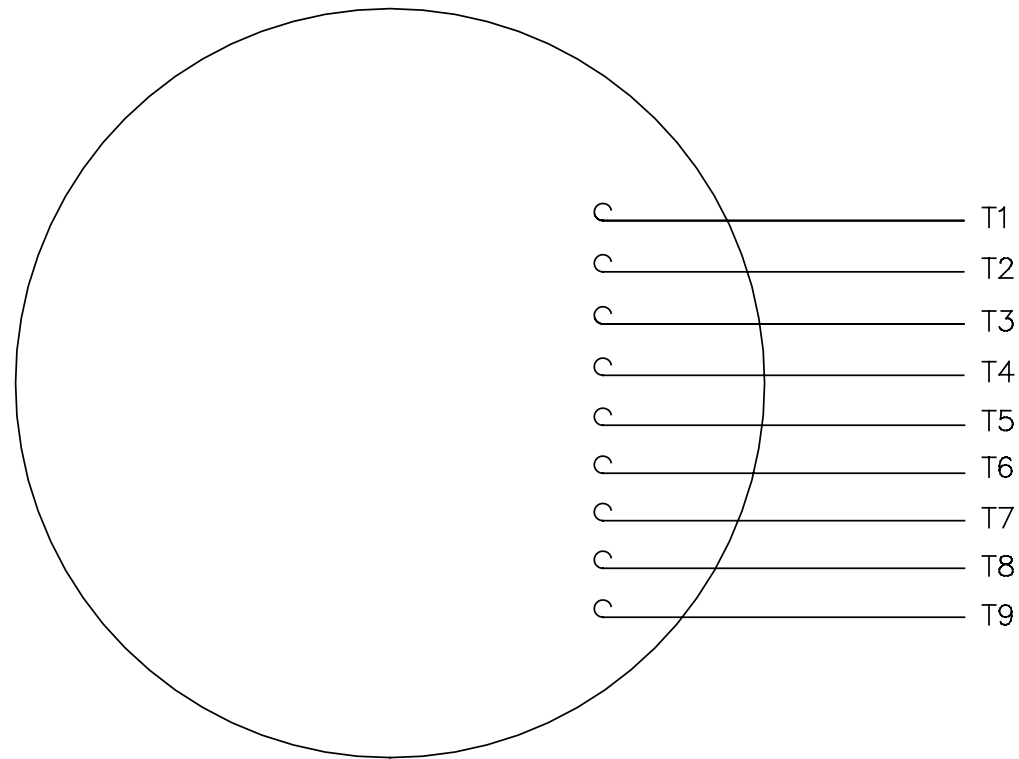
NOTE: WHEN USING MOUNTING BRACKET OHL MUST NOT EXCEED 200 LBS.

TOLERANCES UNLESS SPECIFIED		DEC.		INCHES		LEESON ELECTRIC MOTORS GEARMOTORS AND DRIVES		DRAWN DWF 9/16/97	
.X	±.1					ELECTRIC MOTORS GEARMOTORS AND DRIVES		CHK DWF 9/25/97	
.XX	±.03					TITLE		SCALE 5=8	
.XXX	±.005					OUTLINE - 42 FRAME PE350 STOCK		REF 027689	
.XXXX	±.0005					MAT'L		FMF 096013	
NO.	REVISION	BY & DATE		CHK	ANG	FINISH	LEESON STOCK	PREV	
THIS DRAWING IN DESIGN AND DETAIL IS OUR PROPERTY AND MUST NOT BE USED EXCEPT IN CONNECTION WITH OUR WORK ALL RIGHTS OF DESIGN AND INVENTION ARE RESERVED THIS IS AN ELECTRONICALLY GENERATED DOCUMENT - DO NOT SCALE THIS PRINT									
RFP CAD FILE 027696							SIZE	DRAWING NO.	REV.
DIST							B	027696	02

Uncontrolled Copy

005010-01

VIEW FROM OUTSIDE OF MOTOR AT SWITCH END.



VOLTAGE	L1	L2	L3	JOIN & INSULATE
HIGH	T1	T2	T3	(T4,T7) (T5,T8) (T6,T9)
LOW	T1,T7	T2,T8	T3,T9	T4,T5,T6

		TOLERANCES UNLESS SPECIFIED		REGAL™ Regal Beloit America, Inc.		DRAWN RDW 04/12/02	
		DEC.	INCHES			CHK	
		.X	±.1			APPD	
		.XX	±.01	TITLE		SCALE 1=1	
		.XXX	±.005	EXTERNAL WIRING DIAGRAM 3 PHASE W/O PROTECTOR		REF FIG.2-51	
A	UPDATED TO REGAL LOGO	SAJ	06/26/15	AJY	.XXXX	±.0005	MAT'L. DECAL - 004014
NO.	REVISION	BY & DATE	CHK	ANG	±1/2°	FINISH	PREV
THIS DRAWING IN DESIGN AND DETAIL IS OUR PROPERTY AND MUST NOT BE USED EXCEPT IN CONNECTION WITH OUR WORK ALL RIGHTS OF DESIGN AND INVENTION ARE RESERVED THIS IS AN ELECTRONICALLY GENERATED DOCUMENT - DO NOT SCALE THIS PRINT				RFP	04/12/02	CAD FILE	00501001
				DIST	BRF-NLV	SIZE	DRAWING NO.
						A	005010-01
							REV. A