



A Regal Brand

Catalog # : 096067.00
Product Type: ACSG
Description:

Model: 096067.00
Stock: Y

Engineering Data

RPM	58	Volts		Volts	
HP/KW	.25	F.L. Amps		F.L. Amps	1.2/.6
Frame	42Y	S. F Amps		S. F Amps	
Max Amb	40	Hertz		Phase	3
Insul Class	F4	Duty	CONT	TYPE	TF
		Serv. Factor	1	PF	
Eff 100%		Eff 75%		Enclosure	TEFC
Protection	NOT	Therm.Prot.		Bearing OPE	6201-13
Design		Code	L	Bearing PE	6203
UL	Yes	CSA	Yes	CE	No
Series	PE350	Nameplate	081187	Lubrication	
		Overrlung Ld.	327	Shaft Type	PARALLEL

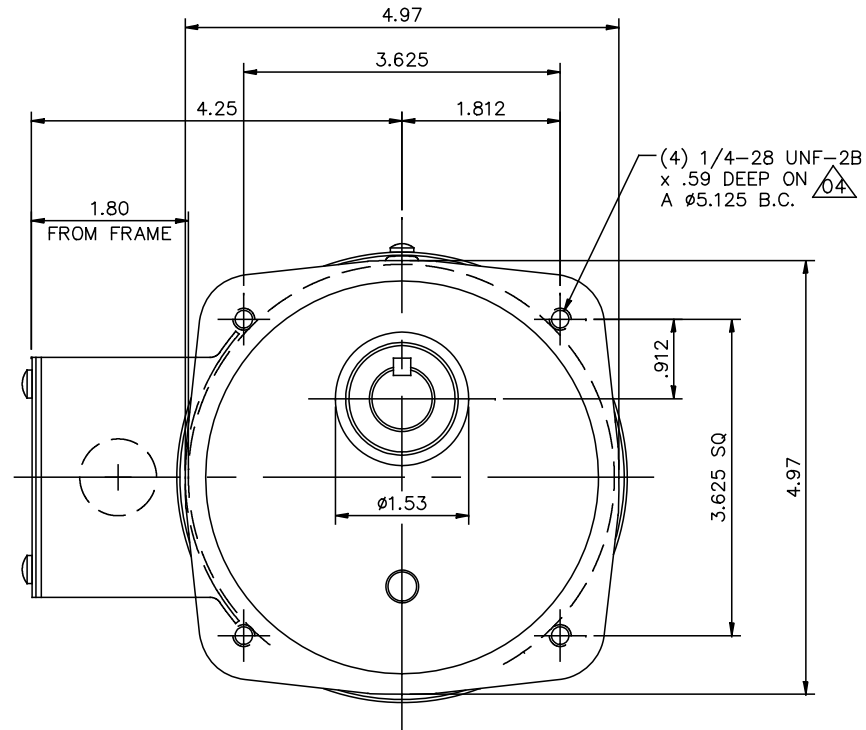
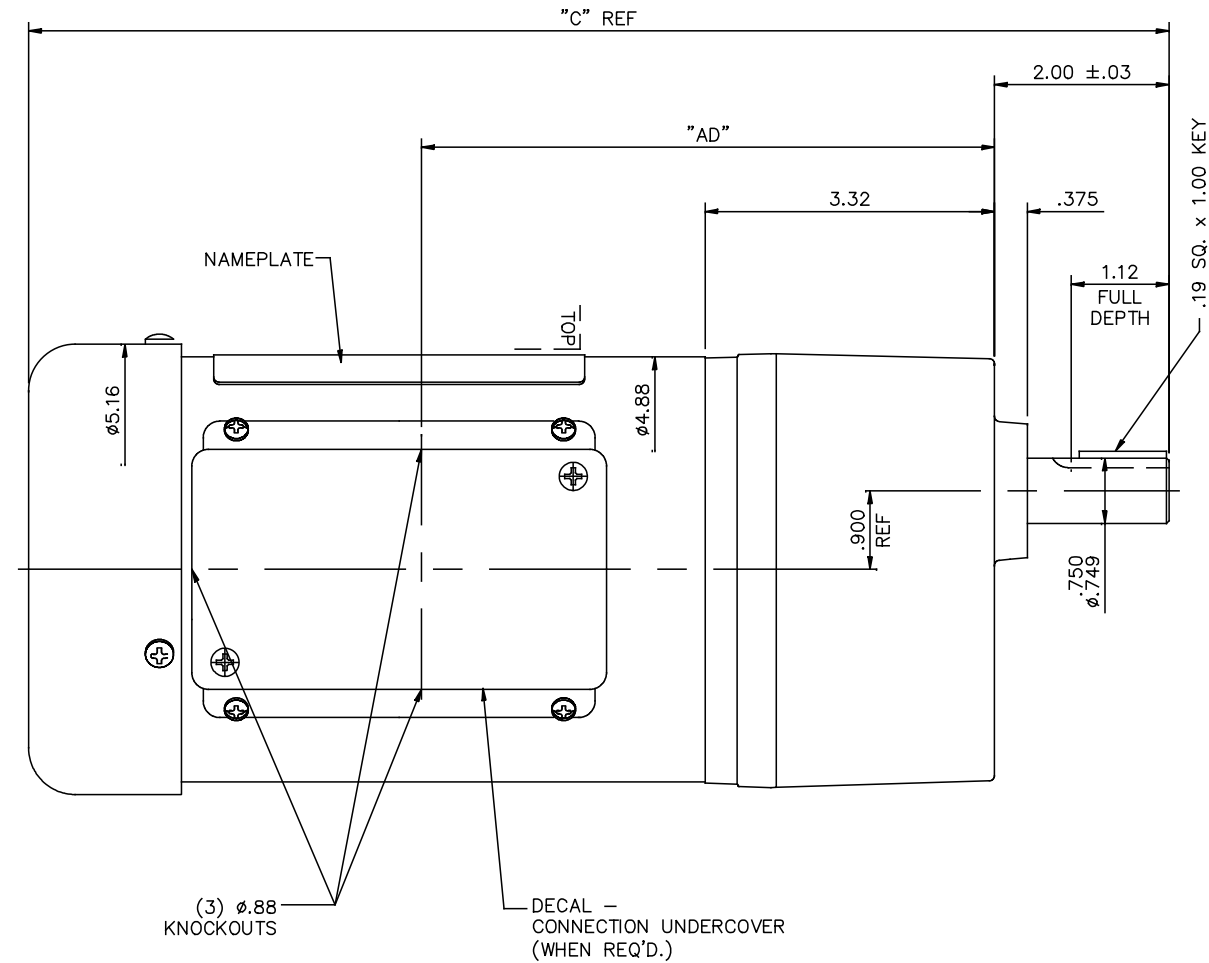
Motor Wt.	27 LB	Mounting	SPECIAL	Rotation	RECONN
Carton Label	Leeson GearMotor	Assembly			
Winding	T47425	Shaft Dia.	3/4	Ext. Diag2.	
GROUP :	3 I	Paint	M1305027.01	Packaging	B
Test Card	07	Outline	027874-096067	Cust Part No	

Form Factor		RMS Amps	
Torque		Peak	
AB Code		Peak@DegC	
Resistance			
Connection		Const Torque	

Rework Status Rework TYPE

4Explosion Proof		2Brake Motors
Temp Op Code		FORCE
Class	GROUP	VDC
Class	GROUP	ADC

027874



(3) Ø.88 KNOCKOUTS
 DECAL - CONNECTION UNDERCOVER (WHEN REQ'D.)

CATALOG NUMBER	OUTPUT RPM	FULL LOAD TORQUE LB.-IN.	INPUT HP	OVERHUNG LOAD LBS.	RATIO TO 1	"C"	"AD"
096065.00	9	341	1/6	327	180	13.07	6.56
096066.00	29	300	1/4	327	58	13.07	6.56
096067.00	58	244	1/4	327	30	13.07	6.56
096068.00	85	165	1/4	327	20	13.07	6.56
096069.00	173	92	1/4	327	10	13.07	6.56
096070.00	345	50	1/4	327	5	13.07	6.56

NO.	REVISION	BY & DATE	CHK	ANG	FINISH
04	THREAD DEPTH WAS .63"	JD 06/06/17			
03	ADDED 096065.00 TO PRINT	RDW 4/18/07	KH	.X	±.1
02	096070.00 RPM WAS 58, TORQUE WAS 244 & RATIO WAS 30	RDW 12/14/05	SW	.XX	±.03
01	ADDED PERFORMANCE ATTRIBUTES TABLE	RLW 7/7/05		.XXX	±.005
				.XXXX	±.0005
					±1/2"

GASKETS THROUGHOUT

ELECTRIC MOTORS
GEARMOTORS
AND DRIVES

DRAWN	LST 5/17/05
CHK	RW 5/17/05
APPD	KH 5/17/05
SCALE	5=8
REF	PR040182
FMF	
PREV	

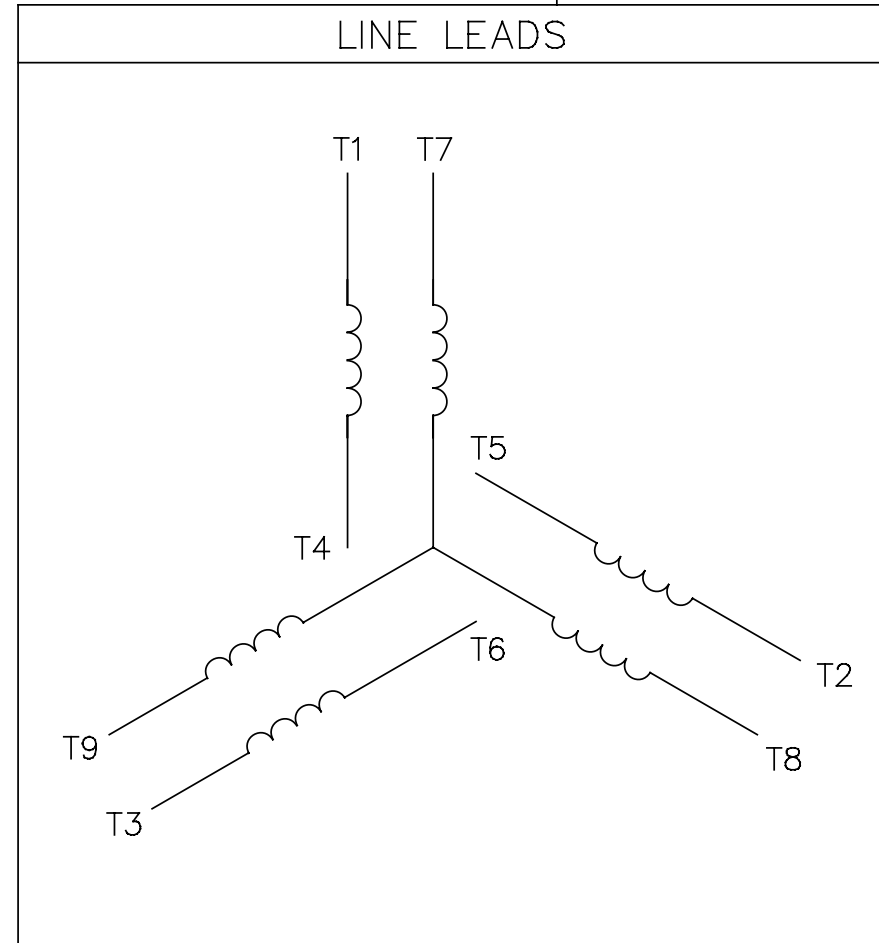
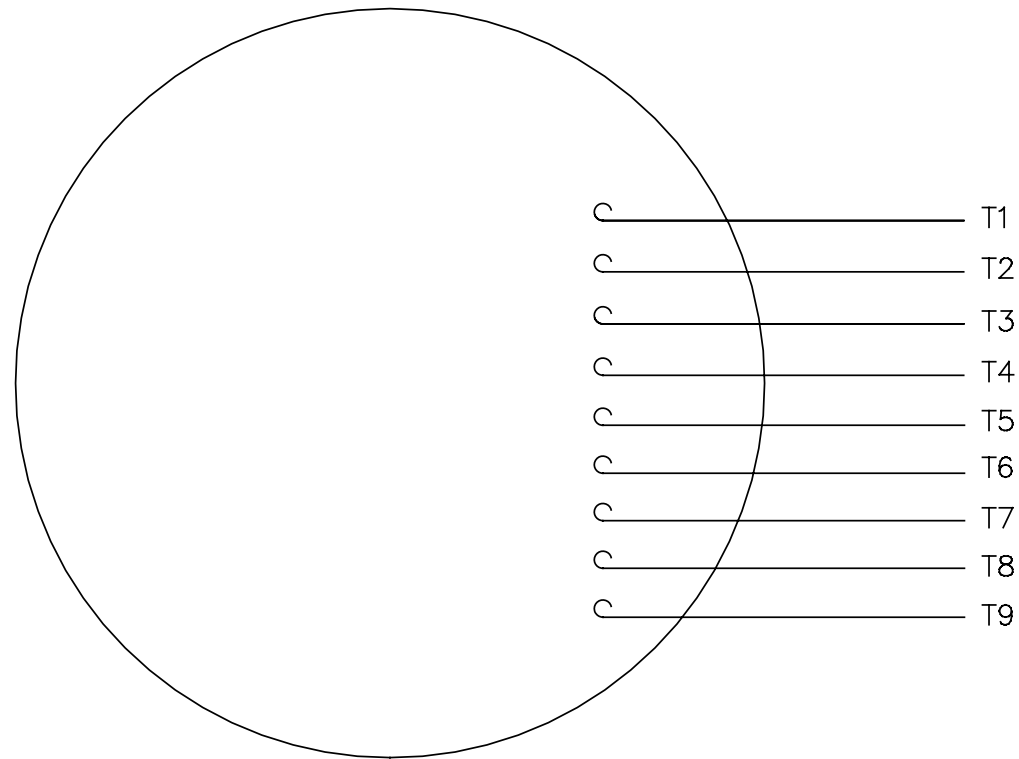
CAD FILE	027874	SIZE	B	DRAWING NO.	027874	REV.	04
----------	--------	------	---	-------------	--------	------	----

THIS DRAWING IN DESIGN AND DETAIL IS OUR PROPERTY AND MUST NOT BE USED EXCEPT IN CONNECTION WITH OUR WORK ALL RIGHTS OF DESIGN AND INVENTION ARE RESERVED THIS IS AN ELECTRONICALLY GENERATED DOCUMENT - DO NOT SCALE THIS PRINT

Uncontrolled Copy

005010-01

VIEW FROM OUTSIDE OF MOTOR AT SWITCH END.



VOLTAGE	L1	L2	L3	JOIN & INSULATE
HIGH	T1	T2	T3	(T4,T7) (T5,T8) (T6,T9)
LOW	T1,T7	T2,T8	T3,T9	T4,T5,T6

		TOLERANCES UNLESS SPECIFIED		REGAL™ Regal Beloit America, Inc.		DRAWN RDW 04/12/02				
		DEC.	INCHES	TITLE		CHK				
		.X	±.1	EXTERNAL WIRING DIAGRAM		APPD				
		.XX	±.01	3 PHASE W/O PROTECTOR		SCALE 1=1				
		.XXX	±.005	MAT'L. DECAL - 004014		REF FIG.2-51				
A	UPDATED TO REGAL LOGO	SAJ	06/26/15	AJY	.XXXX	±.0005	FMF			
NO.	REVISION	BY & DATE	CHK	ANG	±1/2'	FINISH	PREV			
THIS DRAWING IN DESIGN AND DETAIL IS OUR PROPERTY AND MUST NOT BE USED EXCEPT IN CONNECTION WITH OUR WORK ALL RIGHTS OF DESIGN AND INVENTION ARE RESERVED THIS IS AN ELECTRONICALLY GENERATED DOCUMENT - DO NOT SCALE THIS PRINT				RFP	04/12/02	CAD FILE	00501001	SIZE	DRAWING NO.	REV.
				DIST	BRF-NLV			A	005010-01	A