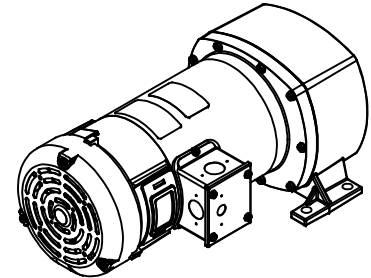
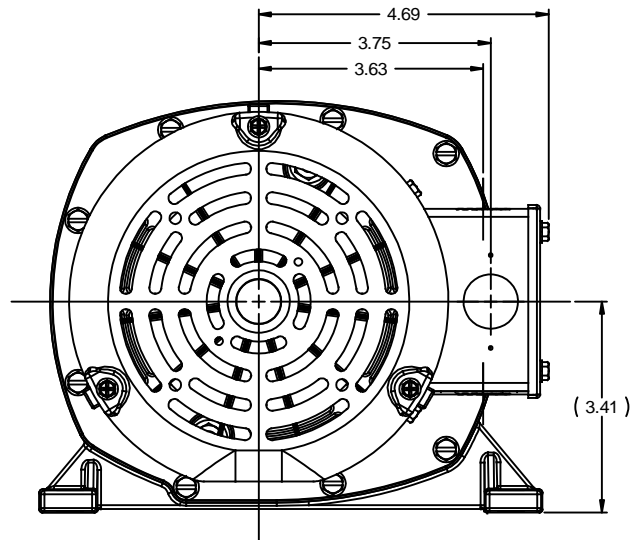
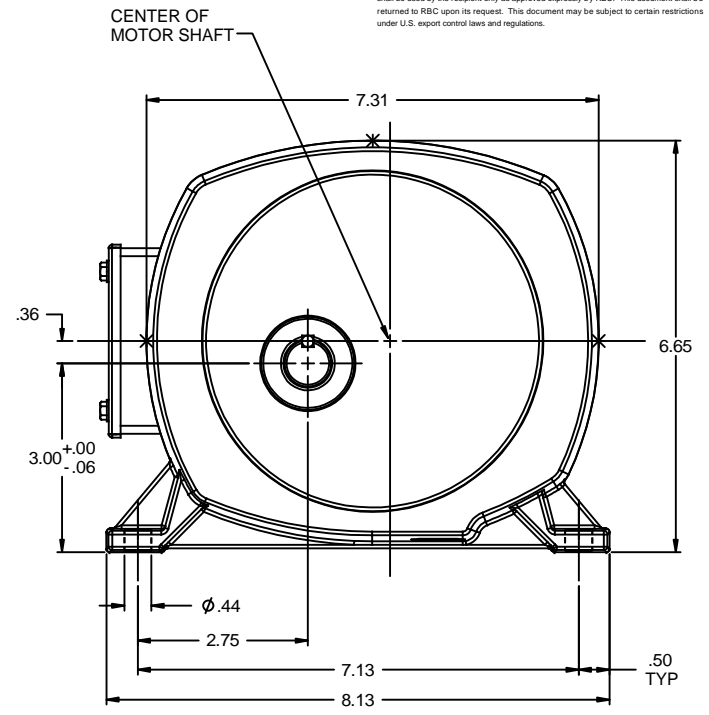
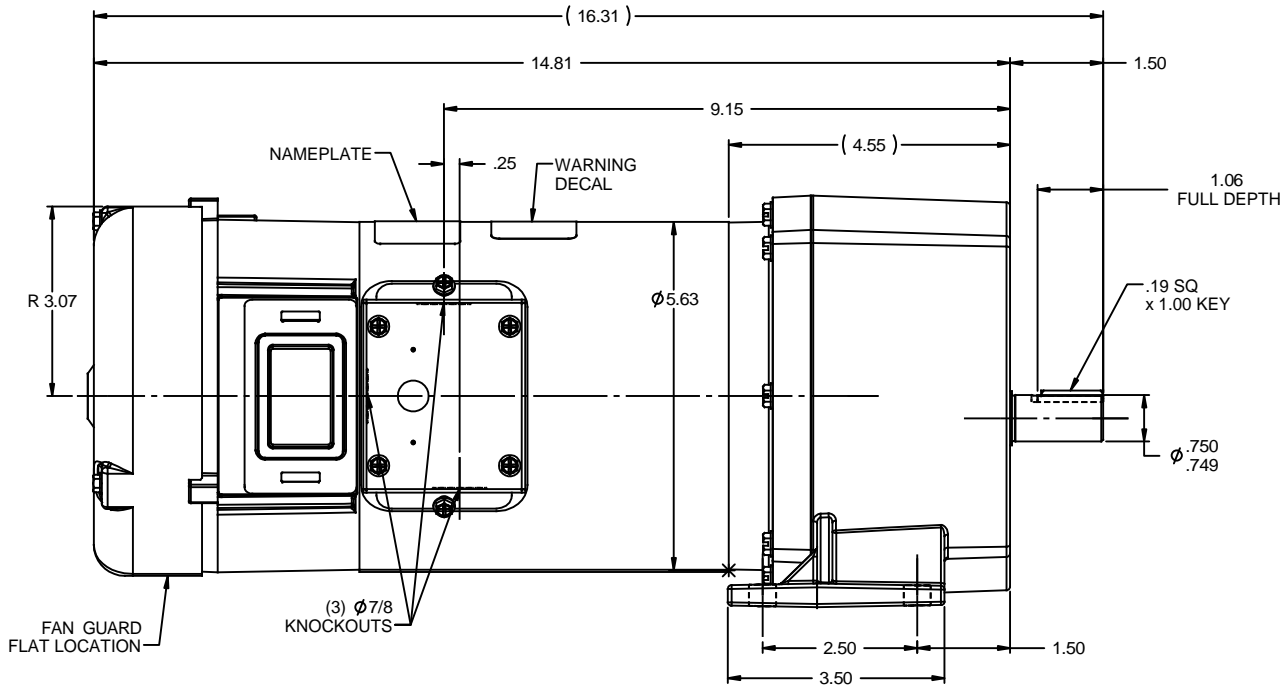


RBC PROPRIETARY AND CONFIDENTIAL INFORMATION
 This document is the property of REGAL BELOIT CORPORATION ("RBC") including its subsidiaries and divisions and contains proprietary information of RBC. This document is loaned on the express condition that neither it nor the information contained therein shall be disclosed to others without the express written consent of RBC, and that the information shall be used by the recipient only as approved expressly by RBC. This document shall be returned to RBC upon its request. This document may be subject to certain restrictions under U.S. export control laws and regulations.



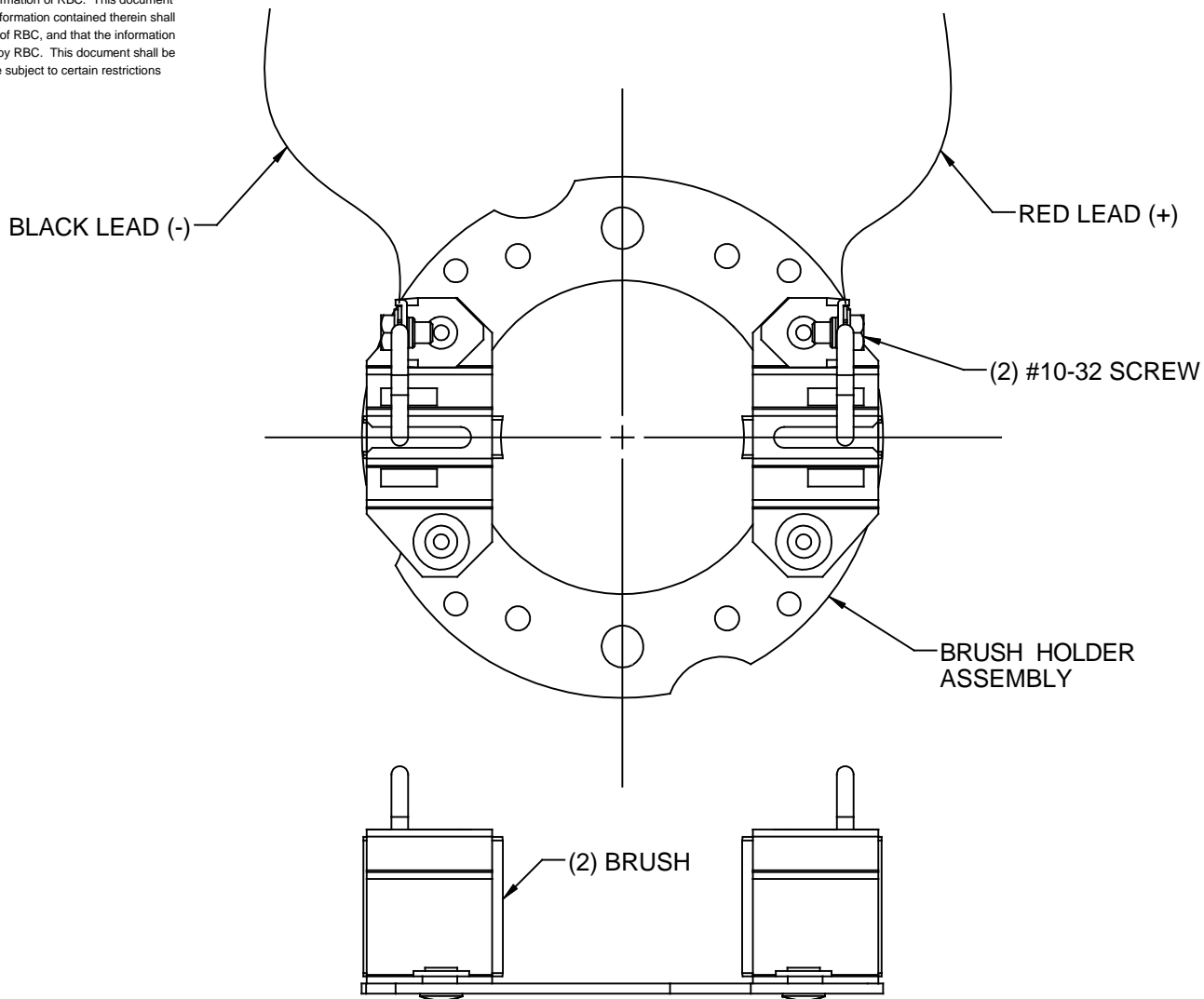
NOTES:
 1) GEARBOX OIL: MOBIL-MOBIL GEAR 600XP-320

108712.00	90	1/2	13:1	135	210
108711.00	90	1/2	19:1	92	320
108710.00	90	1/2	29:1	60	476
108709.00	90	1/2	42:1	42	705
108708.00	90	1/2	53:1	33	822
108707.00	90	1/2	95:1	18	1112
CATALOG No.	VOLTS	INPUT HP	GEAR RATIO	RPM	F.L. TORQUE (LB-IN)


		TOLERANCES UNLESS SPECIFIED		LEESON ELECTRIC MOTORS GEARMOTORS AND DRIVES		DRAWN IPG 6/2/10	
		DEC	INCHES			CHK	PG 6/2/10
		X	±.1			APPR	
		.XX	±.03	TITLE	OUTLINE	SCALE	1:2
		.XXX	±.005		48 FRAME DC - P1100 GEARBOX	REF	031211
00	RELEASED: REF. 031211 & 031879	IPG	6/2/2010	PG	.XXX	±.0005	MATL
							FMF 108709.00
NO	REVISION	BY & DATE	CHK	ANG	±1/2"	FINISH	PAGE OF
			RFP			PREV	
	THIRD ANGLE PROJECTION					SIZE	DRAWING NO
						B	032031
						REV	00
						NETWORK FILE NAME	032031

RBC PROPRIETARY AND CONFIDENTIAL INFORMATION

This document is the property of REGAL BELOIT CORPORATION ("RBC") including its subsidiaries and divisions and contains proprietary information of RBC. This document is loaned on the express condition that neither it nor the information contained therein shall be disclosed to others without the express written consent of RBC, and that the information shall be used by the recipient only as approved expressly by RBC. This document shall be returned to RBC upon its request. This document may be subject to certain restrictions under U.S. export control laws and regulations.



POLARITY: CCWLE

				TOLERANCES UNLESS SPECIFIED		 REGAL-BELOIT CORPORATION	DRAWN	IPG 12/10/07	
				DEC	INCHES		CHK	RWS 12/10/07	
				.X	±.1		APPR		
				.XX	±.01		SCALE	5:8	
01	INTERCHANGED RED AND BLACK LEADS	IPG 4/25/2008	BC	.XXX	±.005	TITLE	BRUSH/PLATE DRAWING		
	RELEASED	IPG 12/10/2007	RWS	.XXXX	±.0005		48 FRAME DC		
NO	REVISION	BY & DATE	CHK	ANG	±1/2°	MAT'L	REF	PR070348	
						FINISH	FMF	108022.75	
				RFP		PREV	PAGE	OF	
THIRD ANGLE PROJECTION				NETWORK FILE NAME		SIZE	DRAWING NO		
						A	499954.01		
							REV	01	