
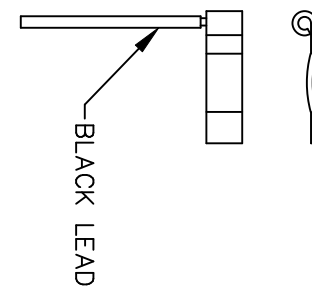
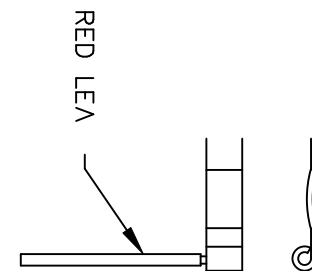
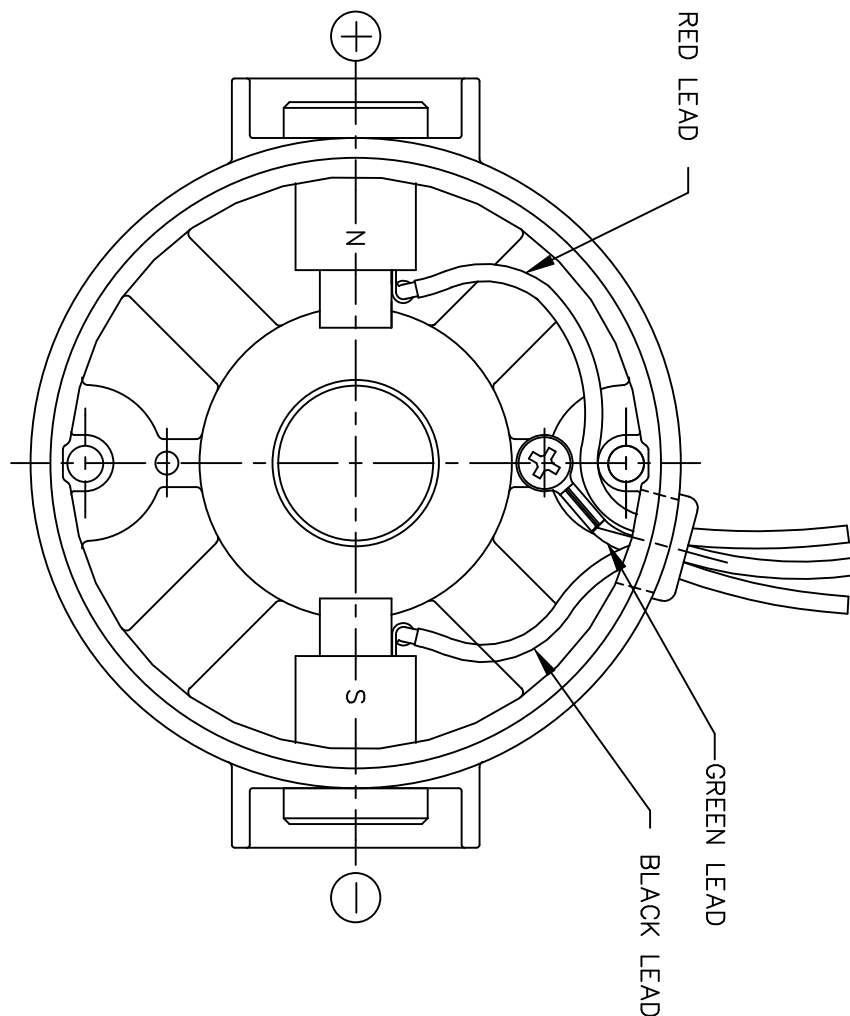


VIEW Z-Z

| CATALOG NUMBER | SPEED RANGE RPM | FULL LOAD TORQUE LB.-IN. | INPUT HP | OVERHUNG LOAD LBS. | GEARMOTOR TYPE & FRAME | RATIO TO 1 | "XH" | "XL"  |
|----------------|-----------------|--------------------------|----------|--------------------|------------------------|------------|------|-------|
| M1135069.00    | 42-7            | 80                       | 1/8      | 235                | 13F60-34C              | 60         | 6.14 | 10.64 |
| M1135038.00    | 62-1            | 70                       | 1/8      | 235                | 13F40-34C              | 40         | 6.14 | 10.64 |
| M1135039.00    | 125-2.1         | 45                       | 1/8      | 235                | 13F20-34C              | 20         | 6.14 | 10.64 |
| M1135040.00    | 250-4           | 25                       | 1/8      | 235                | 13F10-34C              | 10         | 6.14 | 10.64 |
| M1135041.00    | 500-8           | 13                       | 1/8      | 235                | 13F05-34C              | 5          | 6.14 | 10.64 |
| M1135046.00    | 500-8           | 30                       | 1/4      | 235                | 13F05-34G              | 5          | 8.14 | 12.64 |
| M1135045.00    | 250-4           | 50                       | 1/4      | 235                | 13F10-34G              | 10         | 8.14 | 12.64 |
| M1135044.00    | 125-2.1         | 90                       | 1/4      | 235                | 13F20-34G              | 20         | 8.14 | 12.64 |
| M1135043.00    | 83-1.4          | 125                      | 1/4      | 235                | 13F30-34G              | 30         | 8.14 | 12.64 |
| M1135042.00    | 62-1            | 135                      | 1/4      | 235                | 13F40-34G              | 40         | 8.14 | 12.64 |

|  |  |              |     |                             |   |                    |
|--|--|--------------|-----|-----------------------------|---|--------------------|
| 14   | CHANGED TO DIE CAST GEARBOX PER ECN 06-3023.                               | RPB 7/7/06   | BC  | TOLERANCES UNLESS SPECIFIED |  ELECTRIC MOTORS<br>GEARMOTORS<br>AND DRIVES | DRAWN DWF 11/30/93 |
| 13   | DIM 2.74 WAS 2.76 AND CORRECTED GEARBOX MTG SCREW BOLT HEADS PER ECR 88062 | SAD 11/30/05 | KLS | DEC. INCHES                 |   | CHK                |
| 12   | CORRECTED VIEW "Z-Z" PER OTHER TWO VIEWS PER ECR 73469                     | BPW 03/15/02 | SAD | .XX ±.03<br>.XXX ±.005      | TITLE   | SCALE 5=8          |
| 11   | KEY LENGTH WAS 1.00 ECR 69990  | SAD 08/28/99 |     | .XXXX ±.0005                | MAT'L   | REF M1135049.99    |
| NO.  | REVISION   | BY & DATE    | CHK | ANG ±1/2"                   | FINISH  | FMF M1135046.00    |
| THIS DRAWING IN DESIGN AND DETAIL IS OUR PROPERTY AND MUST NOT BE USED EXCEPT IN CONNECTION WITH OUR WORK ALL RIGHTS OF DESIGN AND INVENTION ARE RESERVED THIS IS AN ELECTRONICALLY GENERATED DOCUMENT - DO NOT SCALE THIS PRINT |  |              |     |                             | RFP   | PREV               |
|  |  |              |     |                             | CAD FILE  | REV.               |
|  |  |              |     |                             | M1030350  | B                  |
|  |  |              |     |                             | DIST  | M1030350.00        |
|  |  |              |     |                             | SIZE  | 14                 |

D.C. MOTORS



EXTERNAL CONNECTIONS FOR CW ROTATION  
 VIEWING LEAD END OF MOTOR WITH RED LEAD  
 POSITIVE AND BLACK LEAD NEGATIVE (-)  
 FOR CCW ROTATION REVERSE POLARITY

|  |   |           |         |       |                                |            |   |             |              |
|--|---|-----------|---------|-------|--------------------------------|------------|---|-------------|--------------|
| 07   | CORRECTED "N" & "S", ECR 80000 (PER BC) | VS        | 8/14/02 | BC    | TOLERANCES<br>UNLESS SPECIFIED |            | <b>LEESON</b> ELECTRIC MOTORS<br>GEARMOTORS<br>AND DRIVES | DRAWN       | SPV 12/10/91 |
| 06   | REMOVED GROUND HOLE                     | TMZ       | 3/16/95 | DEC.  | INCHES                         |            |   | CHK         | DWF 5/20/92  |
| 05   | REVERSE ROTATION WAS CW                 | SPV       | 6/3/94  | .X    | ±.1                            |            | TITLE   | APPD        |              |
| 04   | CHANGED ROTATION FROM CCW TO CW         | MJS       | 3/9/93  | .XX   | ±.01                           |            |   | SCALE       | 1=1          |
| 03   | REVISED ROTATION NOTE                   | DWF       | 1/6/93  | .XXX  | ±.005                          |            | MAT'L.  | REF         |              |
| 02   | ADDED GREEN LEAD                        | DWF       | 8/1/92  | .XXXX | ±.0005                         |            |   | FMF         | M9131D2N22   |
| NO.  | REVISION                                | BY & DATE | CHK     | ANG   | ±1/2"                          |            | FINISH  | PREV        |              |
| THIS DRAWING IN DESIGN AND DETAIL IS OUR PROPERTY AND MUST NOT BE USED EXCEPT<br>IN CONNECTION WITH OUR WORK ALL RIGHTS OF DESIGN AND INVENTION ARE RESERVED<br>THIS IS AN ELECTRONICALLY GENERATED DOCUMENT - DO NOT SCALE THIS PRINT |   |           |         | RFP   | CAD FILE                       | M100512401 | SIZE  | DRAWING NO. | REV.         |
|  |   |           |         | DIST  |                                |            | A   | M1005124.01 | 07           |