
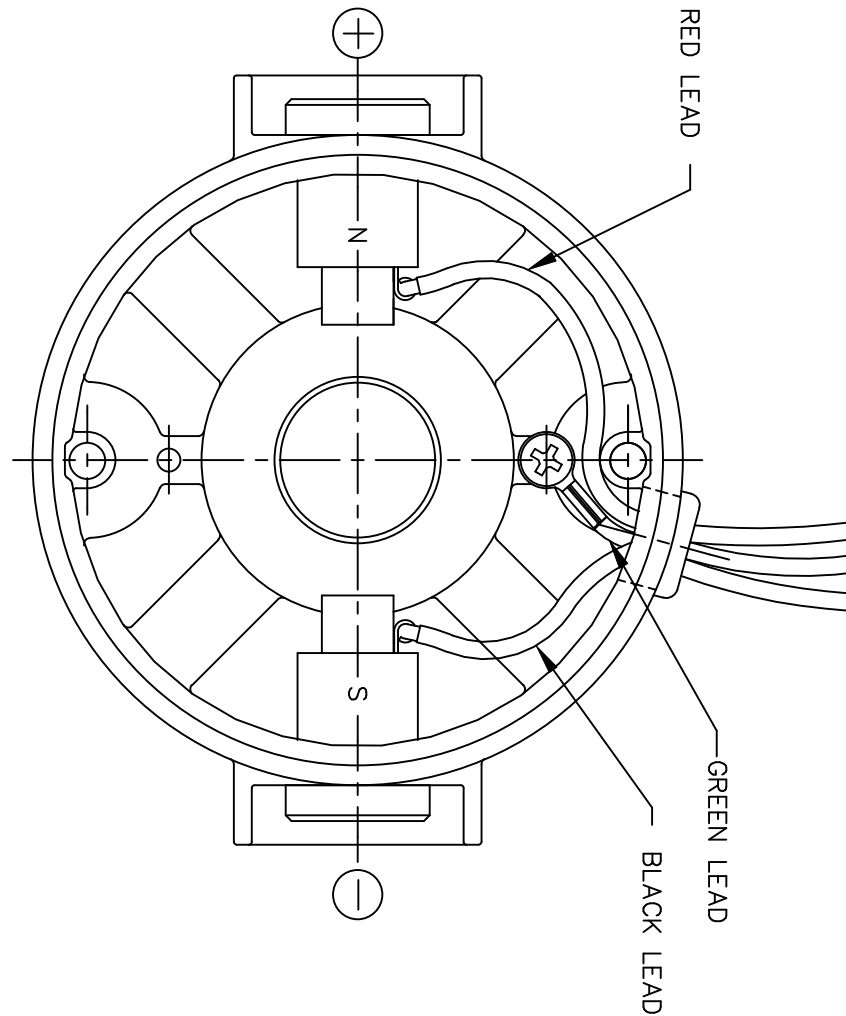


VIEW Z-Z

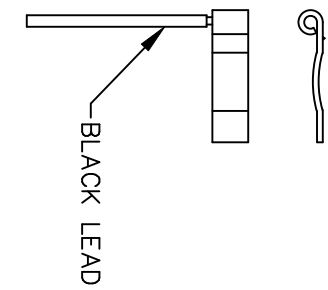
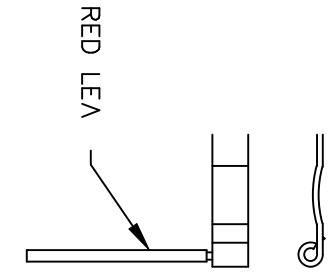
CATALOG NUMBER	SPEED RANGE RPM	FULL LOAD TORQUE LB.-IN.	INPUT HP	OVERHUNG LOAD LBS.	GEARMOTOR TYPE & FRAME	RATIO TO 1	"XH"	"XL"
M1135069.00	42-7	80	1/8	235	13F60-34C	60	6.14	10.64
M1135038.00	62-1	70	1/8	235	13F40-34C	40	6.14	10.64
M1135039.00	125-2.1	45	1/8	235	13F20-34C	20	6.14	10.64
M1135040.00	250-4	25	1/8	235	13F10-34C	10	6.14	10.64
M1135041.00	500-8	13	1/8	235	13F05-34C	5	6.14	10.64
M1135046.00	500-8	30	1/4	235	13F05-34G	5	8.14	12.64
M1135045.00	250-4	50	1/4	235	13F10-34G	10	8.14	12.64
M1135044.00	125-2.1	90	1/4	235	13F20-34G	20	8.14	12.64
M1135043.00	83-1.4	125	1/4	235	13F30-34G	30	8.14	12.64
M1135042.00	62-1	135	1/4	235	13F40-34G	40	8.14	12.64

14	CHANGED TO DIE CAST GEARBOX PER ECN 06-3023.	RPB 7/7/06	BC	TOLERANCES UNLESS SPECIFIED		ELECTRIC MOTORS GEARMOTORS AND DRIVES	DRAWN DWF 11/30/93		
13	DIM 2.74 WAS 2.76 AND CORRECTED GEARBOX MTG SCREW BOLT HEADS PER ECR 88062	SAD 11/30/05	KLS	DEC. INCHES			CHK		
12	CORRECTED VIEW "Z-Z" PER OTHER TWO VIEWS PER ECR 73469	BPW 03/15/02	SAD	.XX ±.03 .XXX ±.005	TITLE	OUTLINE 34 FRAME DC 13 SERIES 90V GEARMOTOR	SCALE 5=8 REF M1135049.99		
11	KEY LENGTH WAS 1.00 ECR 69990	SAD 08/28/99	SAD	.XXXX ±.0005	MAT'L		FMF M1135046.00		
NO.	REVISION	BY & DATE	CHK	ANG ±1/2"	FINISH	LEESON	PREV		
THIS DRAWING IN DESIGN AND DETAIL IS OUR PROPERTY AND MUST NOT BE USED EXCEPT IN CONNECTION WITH OUR WORK ALL RIGHTS OF DESIGN AND INVENTION ARE RESERVED THIS IS AN ELECTRONICALLY GENERATED DOCUMENT - DO NOT SCALE THIS PRINT					RFP	CAD FILE M1030350	SIZE B	DRAWING NO. M1030350.00	REV. 14
					DIST				

D.C. MOTORS



EXTERNAL CONNECTIONS FOR CW ROTATION
 VIEWING LEAD END OF MOTOR WITH RED LEAD
 POSITIVE AND BLACK LEAD NEGATIVE (-)
 FOR CCW ROTATION REVERSE POLARITY



07	CORRECTED "N" & "S", ECR 80000 (PER BC)	VS	8/14/02	BC	TOLERANCES UNLESS SPECIFIED		LEESON ELECTRIC MOTORS GEARMOTORS AND DRIVES	DRAWN	SPV 12/10/91
06	REMOVED GROUND HOLE	TMZ	3/16/95	DEC.	INCHES			CHK	DWF 5/20/92
05	REVERSE ROTATION WAS CW	SPV	6/3/94	.X	±.1		TITLE	APPD	
04	CHANGED ROTATION FROM CCW TO CW	MJS	3/9/93	.XX	±.01			CONNECTION DIAGRAM	SCALE
03	REVISED ROTATION NOTE	DWF	1/6/93	.XXX	±.005		MAT'L.		REF
02	ADDED GREEN LEAD	DWF	8/1/92	.XXXX	±.0005			FINISH	FMF
NO.	REVISION	BY & DATE	CHK	ANG	±1/2"				PREV
THIS DRAWING IN DESIGN AND DETAIL IS OUR PROPERTY AND MUST NOT BE USED EXCEPT IN CONNECTION WITH OUR WORK ALL RIGHTS OF DESIGN AND INVENTION ARE RESERVED THIS IS AN ELECTRONICALLY GENERATED DOCUMENT - DO NOT SCALE THIS PRINT				RFP	CAD FILE	M100512401	SIZE	DRAWING NO.	REV.
				DIST			A	M1005124.01	07