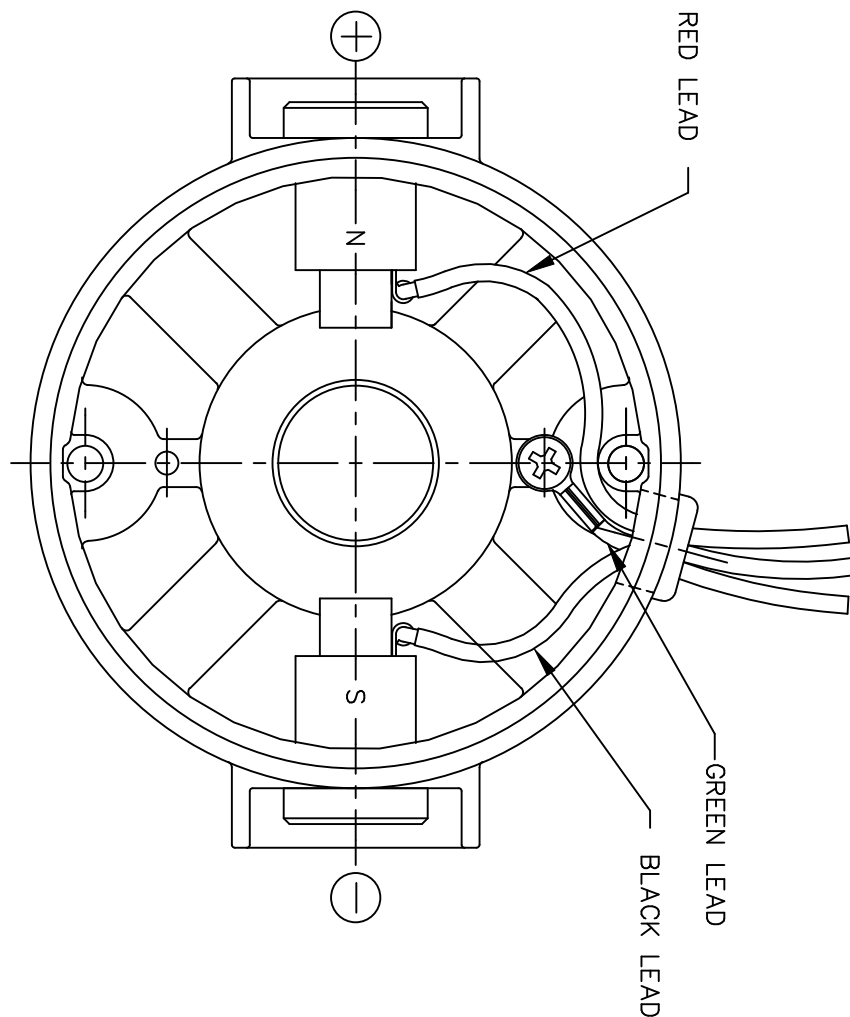


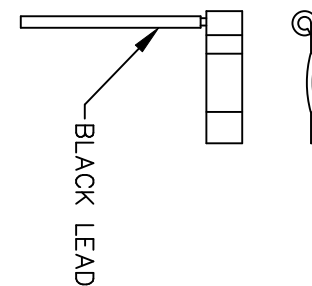
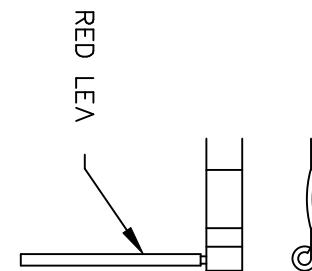
| CATALOG NUMBER     | OUTPUT RPM | FULL LOAD TORQUE LB.-IN. | F.L. AMPS  | INPUT HP   | OVERHUNG LOAD LBS. | GEARMOTOR TYPE & FRAME | RATIO TO 1 | "XL"         | "XH"         |
|--------------------|------------|--------------------------|------------|------------|--------------------|------------------------|------------|--------------|--------------|
| M1135106.00        | 7          | 330                      | .7         | 1/8        | 565                | P353-34                | 336        | 11.31        | 9.31         |
| M1135107.00        | 14         | 341                      | 1.0        | 1/8        | 465                | P353-34                | 180        | 11.31        | 9.31         |
| <b>M1135108.00</b> | <b>42</b>  | <b>280</b>               | <b>2.3</b> | <b>1/4</b> | <b>327</b>         | <b>P353-34</b>         | <b>58</b>  | <b>13.31</b> | <b>11.31</b> |
| M1135109.00        | 50         | 250                      | 2.3        | 1/4        | 315                | P353-34                | 50         | 13.31        | 11.31        |
| M1135110.00        | 62         | 220                      | 2.3        | 1/4        | 303                | P353-34                | 43         | 13.31        | 11.31        |
| M1135111.00        | 125        | 100                      | 2.0        | 1/4        | 256                | P352-34                | 22.67      | 13.31        | 11.31        |
| M1135112.00        | 165        | 70                       | 2.0        | 1/4        | 232                | P352-34                | 15         | 13.31        | 11.31        |
| M1135113.00        | 500        | 25                       | 2.0        | 1/4        | 194                | P352-34                | 5.44       | 13.31        | 11.31        |
| M1135114.00        | 83         | 155                      | 2.3        | 1/4        | 267                | P352-34                | 29         | 13.31        | 11.31        |
| M1135115.00        | 27         | 305                      | 1.5        | 1/4        | 374                | P353-34                | 91         | 13.31        | 11.31        |
| M1135116.00        | 250        | 45                       | 2.0        | 1/4        | 201                | P352-34                | 10.6       | 13.31        | 11.31        |
| M1135117.00        | 21         | 371                      | 1.1        | 1/4        | 413                | P353-34                | 124        | 13.31        | 11.31        |

|  |  |                             |        |               |   |                             |
|--|--|-----------------------------|--------|---------------|---|-----------------------------|
|  |  | TOLERANCES UNLESS SPECIFIED |        | <b>LEESON</b> | ELECTRIC MOTORS<br>GEARMOTORS<br>AND DRIVES | DRAWN DWF 6/26/97           |
|  |  | DEC.                        | INCHES |               |   | CHK                         |
|  |  | .X                          | ±.1    |               |   | APPD                        |
| 03   | 1/4-28 UNF-2B TAPS WERE .63 DEEP PER ECR81849. | RPB 11/24/03                | BC     | .XX           | ±.03  | TITLE                       |
| 02   | 1.12 KEYWAY WAS 1.03                           | IPG 11/30/00                | SAD    | .XXX          | ±.005                                       | OUTLINE                     |
| 01   | UPDATED TO CATALOG INFORMATION PER KK          | CAS 10/31/00                | SAD    | .XXXX         | ±.0005                                      | 34 FRAME PE350 STOCK - 90 V |
| NO.  | REVISION                                       | BY & DATE                   | CHK    | ANG           | ±1/2"                                       | MAT'L                       |
| THIS DRAWING IN DESIGN AND DETAIL IS OUR PROPERTY AND MUST NOT BE USED EXCEPT IN CONNECTION WITH OUR WORK ALL RIGHTS OF DESIGN AND INVENTION ARE RESERVED THIS IS AN ELECTRONICALLY GENERATED DOCUMENT - DO NOT SCALE THIS PRINT |  |                             |        | RFP           | CAD FILE                                    | M1030589                    |
|  |  |                             |        | DIST          |   | SIZE DRAWING NO. REV.       |
|  |  |                             |        |               |   | B M1030589.00 03            |

D.C. MOTORS



EXTERNAL CONNECTIONS FOR CW ROTATION  
VIEWING LEAD END OF MOTOR WITH RED LEAD  
POSITIVE AND BLACK LEAD NEGATIVE (-)  
FOR CCW ROTATION REVERSE POLARITY



|  |   |           |         |       |                                |            |   |             |                |
|--|---|-----------|---------|-------|--------------------------------|------------|---|-------------|----------------|
| 07   | CORRECTED "N" & "S", ECR 80000 (PER BC) | VS        | 8/14/02 | BC    | TOLERANCES<br>UNLESS SPECIFIED |            | <b>LEESON</b> ELECTRIC MOTORS<br>GEARMOTORS<br>AND DRIVES | DRAWN       | SPV 12/10/91   |
| 06   | REMOVED GROUND HOLE                     | TMZ       | 3/16/95 | DEC.  | INCHES                         |            |   | CHK         | DWF 5/20/92    |
| 05   | REVERSE ROTATION WAS CW                 | SPV       | 6/3/94  | .X    | ±.1                            |            | TITLE   | APPD        |                |
| 04   | CHANGED ROTATION FROM CCW TO CW         | MJS       | 3/9/93  | .XX   | ±.01                           |            |   | SCALE       | 1=1            |
| 03   | REVISED ROTATION NOTE                   | DWF       | 1/6/93  | .XXX  | ±.005                          |            | MAT'L.  | REF         |                |
| 02   | ADDED GREEN LEAD                        | DWF       | 8/1/92  | .XXXX | ±.0005                         |            |   | FINISH      | FMF M9131D2N22 |
| NO.  | REVISION                                | BY & DATE | CHK     | ANG   | ±1/2"                          |            |   | PREV        |                |
| THIS DRAWING IN DESIGN AND DETAIL IS OUR PROPERTY AND MUST NOT BE USED EXCEPT<br>IN CONNECTION WITH OUR WORK ALL RIGHTS OF DESIGN AND INVENTION ARE RESERVED<br>THIS IS AN ELECTRONICALLY GENERATED DOCUMENT - DO NOT SCALE THIS PRINT |   |           |         | RFP   | CAD FILE                       | M100512401 | SIZE  | DRAWING NO. | REV.           |
|  |   |           |         | DIST  |                                |            | A   | M1005124.01 | 07             |