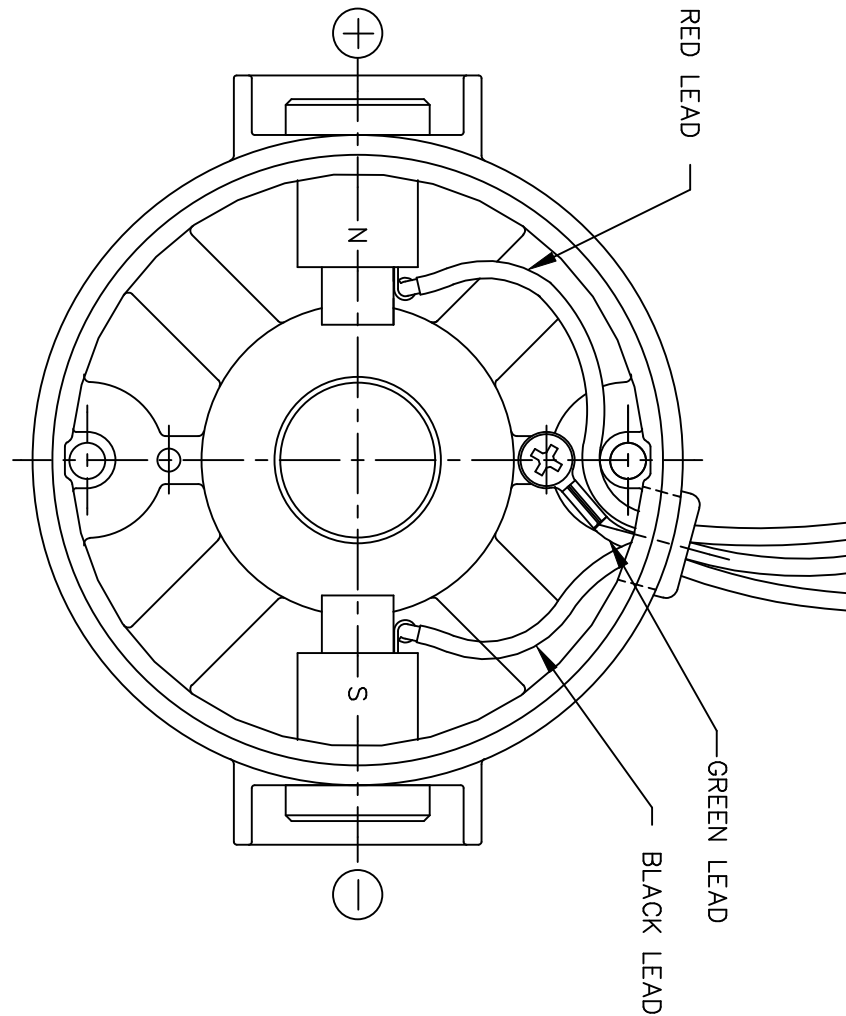


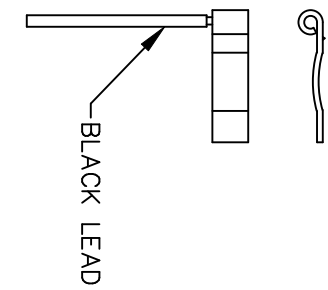
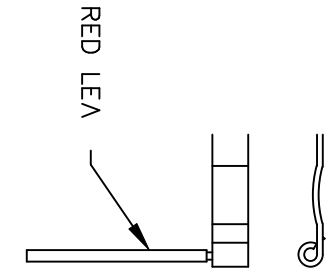
CATALOG NUMBER	OUTPUT RPM	FULL LOAD TORQUE LB.-IN.	F.L. AMPS	INPUT HP	OVERHUNG LOAD LBS.	GEARMOTOR TYPE & FRAME	RATIO TO 1	"XL"	"XH"
M1135106.00	7	330	.7	1/8	565	P353-34	336	11.31	9.31
M1135107.00	14	341	1.0	1/8	465	P353-34	180	11.31	9.31
M1135108.00	42	280	2.3	1/4	327	P353-34	58	13.31	11.31
M1135109.00	50	250	2.3	1/4	315	P353-34	50	13.31	11.31
M1135110.00	62	220	2.3	1/4	303	P353-34	43	13.31	11.31
M1135111.00	125	100	2.0	1/4	256	P352-34	22.67	13.31	11.31
M1135112.00	165	70	2.0	1/4	232	P352-34	15	13.31	11.31
M1135113.00	500	25	2.0	1/4	194	P352-34	5.44	13.31	11.31
M1135114.00	83	155	2.3	1/4	267	P352-34	29	13.31	11.31
M1135115.00	27	305	1.5	1/4	374	P353-34	91	13.31	11.31
M1135116.00	250	45	2.0	1/4	201	P352-34	10.6	13.31	11.31
M1135117.00	21	371	1.1	1/4	413	P353-34	124	13.31	11.31


		TOLERANCES UNLESS SPECIFIED		LEESON ELECTRIC MOTORS GEARMOTORS AND DRIVES		DRAWN DWF 6/26/97	
		DEC. INCHES				CHK	
		.X ±.1				APPD	
03	1/4-28 UNF-2B TAPS WERE .63 DEEP PER ECR81849.	RPB 11/24/03	BC	.XX ±.03	TITLE		SCALE 5=8
02	1.12 KEYWAY WAS 1.03	IPG 11/30/00	SAD	.XXX ±.005	34 FRAME PE350 STOCK - 90 V		REF PR970354
01	UPDATED TO CATALOG INFORMATION PER KK	CAS 10/31/00	SAD	.XXXX ±.0005	MAT'L		FMF M1135115.00
NO. REVISION		BY & DATE		CHK ANG ±1/2"	FINISH		PREV
THIS DRAWING IN DESIGN AND DETAIL IS OUR PROPERTY AND MUST NOT BE USED EXCEPT IN CONNECTION WITH OUR WORK ALL RIGHTS OF DESIGN AND INVENTION ARE RESERVED THIS IS AN ELECTRONICALLY GENERATED DOCUMENT - DO NOT SCALE THIS PRINT				RFP	CAD FILE	M1030589	SIZE DRAWING NO.
				DIST			B M1030589.00 03

D.C. MOTORS



EXTERNAL CONNECTIONS FOR CW ROTATION
 VIEWING LEAD END OF MOTOR WITH RED LEAD
 POSITIVE AND BLACK LEAD NEGATIVE (-)
 FOR CCW ROTATION REVERSE POLARITY



07	CORRECTED "N" & "S", ECR 80000 (PER BC)	VS	8/14/02	BC	TOLERANCES UNLESS SPECIFIED			ELECTRIC MOTORS GEARMOTORS AND DRIVES	DRAWN	SPV 12/10/91	
06	REMOVED GROUND HOLE	TMZ	3/16/95	DEC.	INCHES				CHK	DWF 5/20/92	
05	REVERSE ROTATION WAS CW	SPV	6/3/94	.X	±.1		TITLE		CONNECTION DIAGRAM	APPD	
04	CHANGED ROTATION FROM CCW TO CW	MJS	3/9/93	.XX	±.01		SCALE		1=1		
03	REVISED ROTATION NOTE	DWF	1/6/93	.XXX	±.005		REF				
02	ADDED GREEN LEAD	DWF	8/1/92	.XXXX	±.0005		MAT'L.		FMF M9131D2N22		
NO.	REVISION	BY & DATE	CHK	ANG	±1/2"		FINISH		PREV		
THIS DRAWING IN DESIGN AND DETAIL IS OUR PROPERTY AND MUST NOT BE USED EXCEPT IN CONNECTION WITH OUR WORK ALL RIGHTS OF DESIGN AND INVENTION ARE RESERVED THIS IS AN ELECTRONICALLY GENERATED DOCUMENT - DO NOT SCALE THIS PRINT				RFP	CAD FILE			M100512401	SIZE	DRAWING NO.	REV.
				DIST				A	M1005124.01	07	