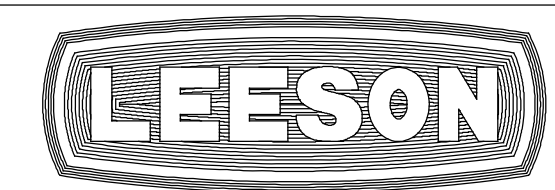


CATALOG No.	VOLTS	HP	RATIO	TORQUE IN-LB	RPM
M1115024.00	90	1/20	336:1	353	5
M1115025.00	90	1/20	216:1	268	9
M1115026.00	90	1/20	103:1	150	18
M1115027.00	90	1/20	52:1	82	34
M1115028.00	90	1/20	35:1	55	51
M1115029.00	90	1/20	16:1	27	109
M1125092.00	180	1/20	91:1	140	20
M1125093.00	180	1/20	29:1	45	60
M1125094.00	180	1/20	17:1	26	106

ITEM No.	ITEM REV
-00	002

NO.	REVISION	BY & DATE	CHK	ANG	TOLERANCES UNLESS SPECIFIED		FINISH	DRAWN	RWS	DATE
					DEC.	INCHES				
E	UPDATED 1.40 HUB DIM TO MATCH GBOX, ECO-0128172	IPG 7/26/17	.X	±.1	.XXX ±.005		MATERIAL	RHS	3/28/05	APPD
02	ADDED CAT. #'S M1125092.00, M1125093.00 AND M1125094.00 TO TABLE, ECN 06-3810	IPG 9/29/06	SAD	.XX ±.03	.XXX ±.005					
01	CHGD 11.45 REF TO 9.41 REF, ECR 84115	VS 5/27/05	BC	.XXXX ±.0005	.XXX ±.005		MATERIAL	RHS	3/28/05	APPD
			±1/2'		.XXX ±.005					
THIS DRAWING IN DESIGN AND DETAIL IS OUR PROPERTY AND MUST NOT BE USED EXCEPT IN CONNECTION WITH OUR WORK ALL RIGHTS OF DESIGN AND INVENTION ARE RESERVED THIS IS AN ELECTRONICALLY GENERATED DOCUMENT - DO NOT SCALE THIS PRINT			RFP	CAD FILE		M1030964	SIZE	DRAWING NO.		REV.
			DIST				B	M1030964		E

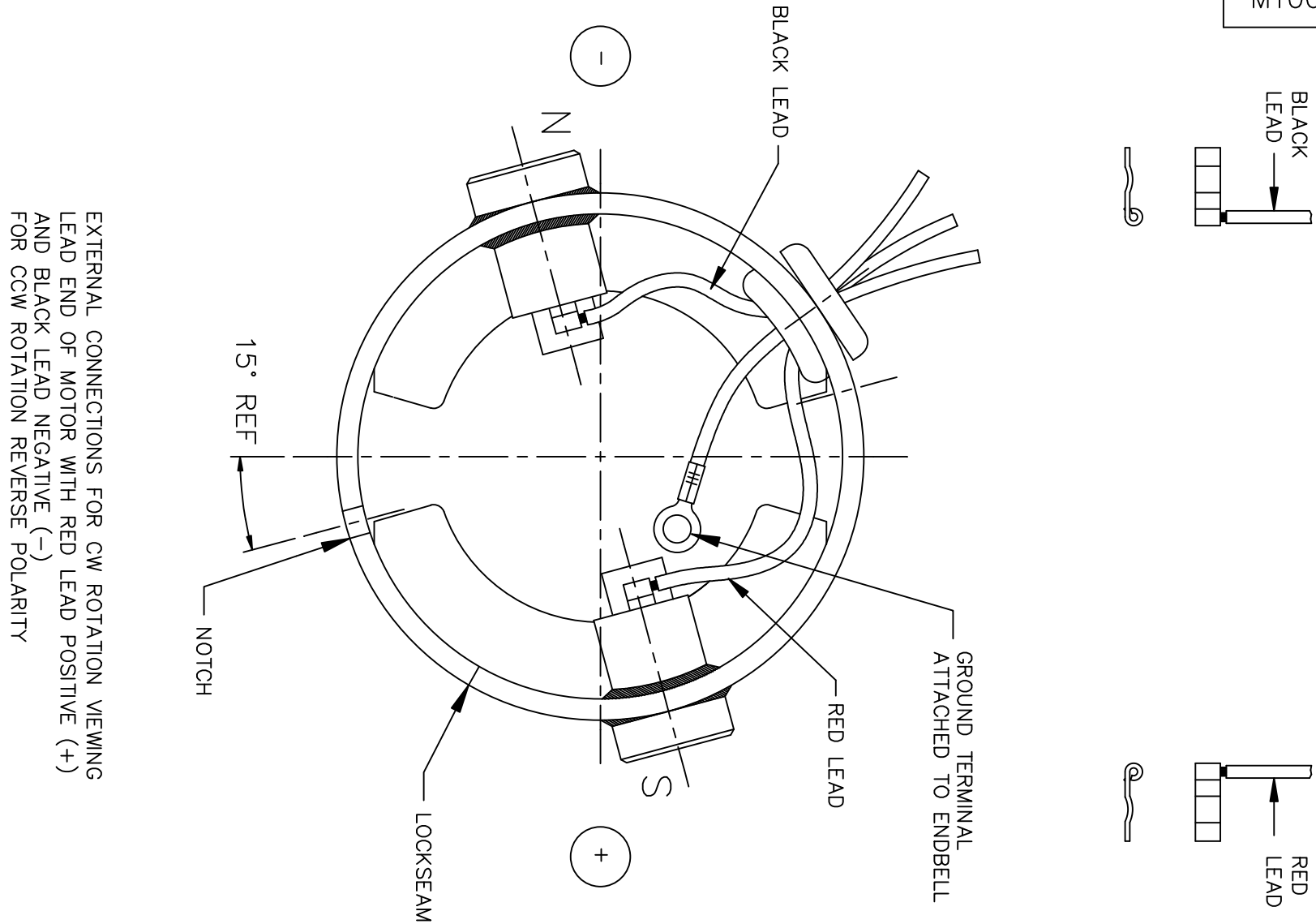


ELECTRIC MOTORS
GEARMOTORS
AND DRIVES


OUTLINE
30 FRAME DC - P300 GEARBOX

DRAWN	RHS	3/28/05
CHK	RPB	3/28/05
APPD		
SCALE	1=2	
REF	M1030939	
FMF	M1125025.00	
PREV		

D.C. MOTORS



EXTERNAL CONNECTIONS FOR CW ROTATION VIEWING
 LEAD END OF MOTOR WITH RED LEAD POSITIVE (+)
 AND BLACK LEAD NEGATIVE (-)
 FOR CCW ROTATION REVERSE POLARITY

05	SWITCH LEADS TO MATCH ROTATION, ISAAC 10-1990	IPG 5/17/2010	SK	TOLERANCES UNLESS SPECIFIED		 ELECTRIC MOTORS GEARMOTORS AND DRIVES	DRAWN IPG 6/4/03	
04	SWITCH "N" AND "S" TO MATCH FRAME/MAGNET ASSY	IPG 4/26/2010	SK	DEC.	INCHES		CHK SAD 6/4/03	
	DRAWING, ISAAC 10-1709			.X	±.1		APPD	
03	ADDED "TRU-TORQ" TO THE TITLE BLOCK AND ORACLE	IPG 3/2/2004	SAD	.XX	±.03	TITLE CONNECTION DIAGRAM	SCALE 1=1	
	DESCRIPTION, ECR 83990			.XXX	±.005		REF PR020634.01	
02	SWITCHED N & S PER ECR 83629	BPW 12/19/03	SAD	.XXXX	±.0005	MAT'L.	FMF M1115050.00	
NO.	REVISION	BY & DATE	CHK	ANG	±1/2'	FINISH	PREV	
THIS DRAWING IN DESIGN AND DETAIL IS OUR PROPERTY AND MUST NOT BE USED EXCEPT IN CONNECTION WITH OUR WORK ALL RIGHTS OF DESIGN AND INVENTION ARE RESERVED THIS IS AN ELECTRONICALLY GENERATED DOCUMENT - DO NOT SCALE THIS PRINT			RFP	CAD FILE M100526001		SIZE A	DRAWING NO. M1005260.01	REV. 05
			DIST					