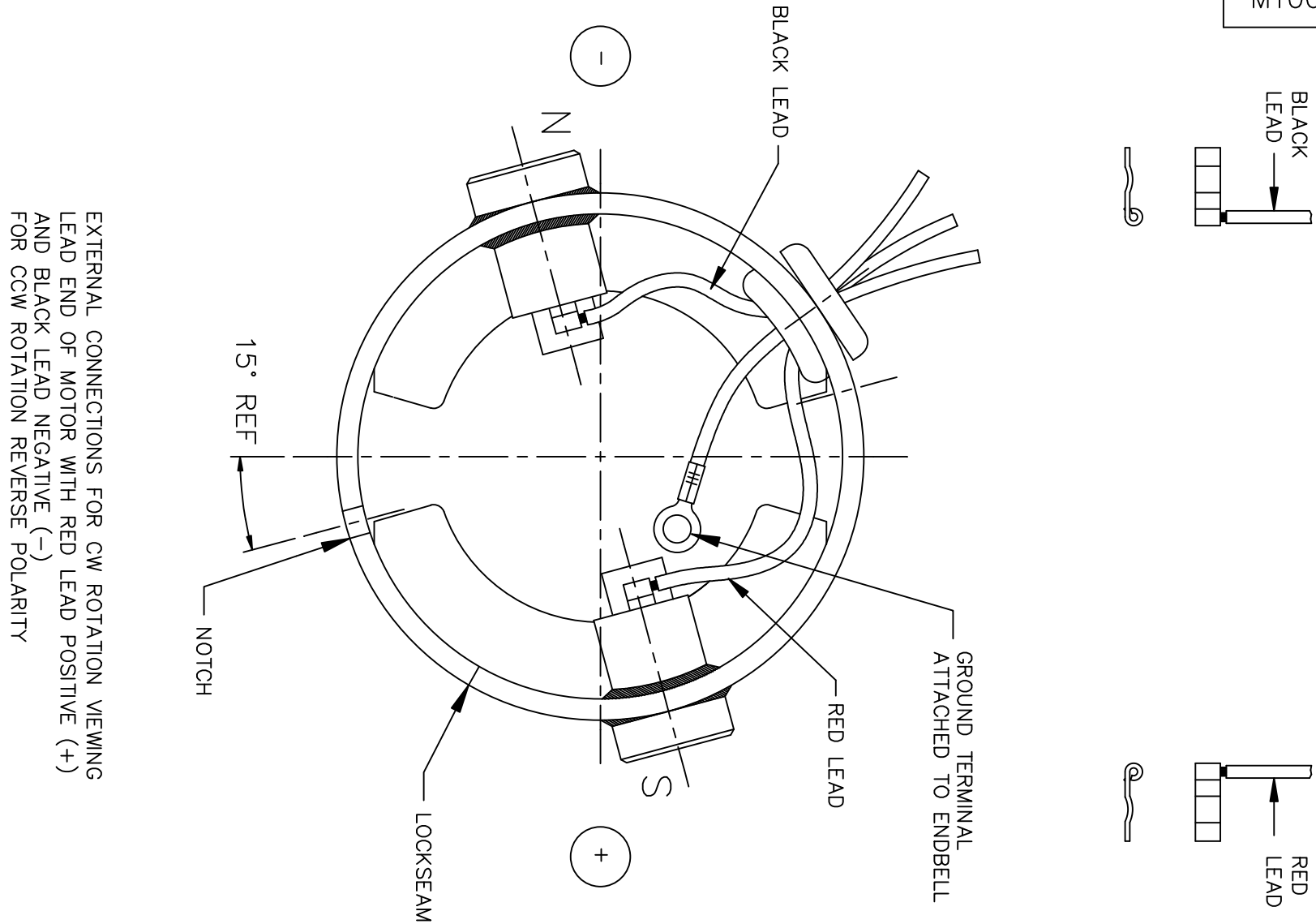





D.C. MOTORS



EXTERNAL CONNECTIONS FOR CW ROTATION VIEWING  
 LEAD END OF MOTOR WITH RED LEAD POSITIVE (+)  
 AND BLACK LEAD NEGATIVE (-)  
 FOR CCW ROTATION REVERSE POLARITY

05	SWITCH LEADS TO MATCH ROTATION, ISAAC 10-1990	IPG 5/17/2010	SK	TOLERANCES UNLESS SPECIFIED		 ELECTRIC MOTORS GEARMOTORS AND DRIVES	DRAWN IPG 6/4/03	
04	SWITCH "N" AND "S" TO MATCH FRAME/MAGNET ASSY	IPG 4/26/2010	SK	DEC.	INCHES		CHK SAD 6/4/03	
	DRAWING, ISAAC 10-1709			.X	±.1		APPD	
03	ADDED "TRU-TORQ" TO THE TITLE BLOCK AND ORACLE	IPG 3/2/2004	SAD	.XX	±.03	TITLE CONNECTION DIAGRAM	SCALE 1=1	
	DESCRIPTION, ECR 83990			.XXX	±.005		REF PR020634.01	
02	SWITCHED N & S PER ECR 83629	BPW 12/19/03	SAD	.XXXX	±.0005	MAT'L.	FMF M1115050.00	
NO.	REVISION	BY & DATE	CHK	ANG	±1/2'	FINISH	PREV	
THIS DRAWING IN DESIGN AND DETAIL IS OUR PROPERTY AND MUST NOT BE USED EXCEPT IN CONNECTION WITH OUR WORK ALL RIGHTS OF DESIGN AND INVENTION ARE RESERVED THIS IS AN ELECTRONICALLY GENERATED DOCUMENT - DO NOT SCALE THIS PRINT			RFP	CAD FILE M100526001		SIZE A	DRAWING NO. M1005260.01	REV. 05
			DIST					