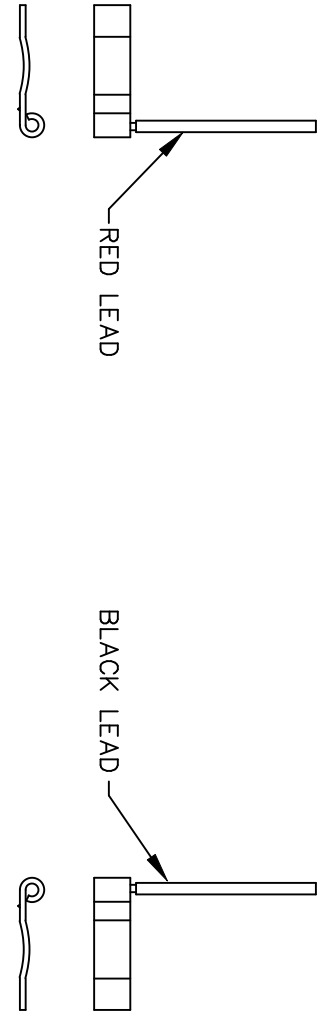
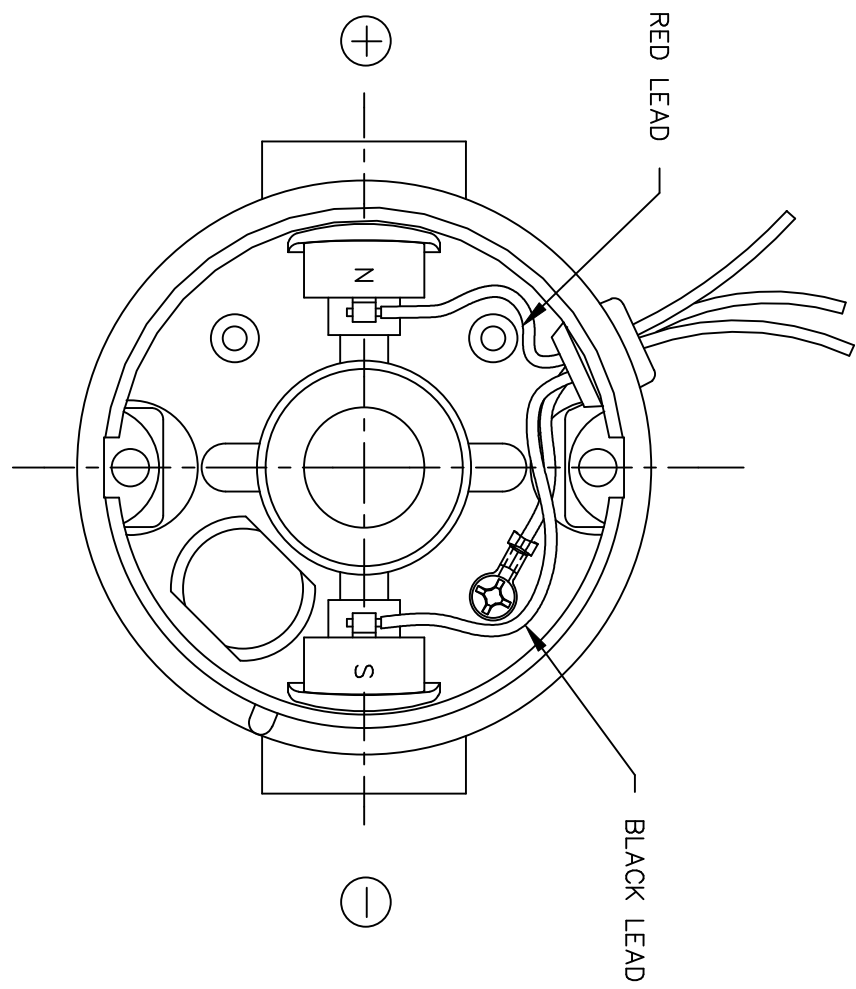


CATALOG No.	VOLTS	HP	RATIO	TORQUE IN-LB	RPM
M1125072.00	90	1/8	29:1	113	61
M1125069.00	90	1/8	76:1	280	24
M1125070.00	90	1/8	58:1	220	31
M1125073.00	90	1/8	19:1	77	94
M1125039.00	180	1/8	35:1	130	51
M1125071.00	90	1/8	35:1	130	51
M1125074.00	90	1/8	11:1	43	167
M1125038.00	180	1/8	58:1	220	31
M1125040.00	180	1/8	19:1	77	94
M1125041.00	180	1/8	10:1	43	170


ITEM No.	ITEM REV
-00	0

		TOLERANCES UNLESS SPECIFIED		LEESON ELECTRIC MOTORS GEARMOTORS AND DRIVES		DRAWN RWS 3/18/05	
		DEC.	INCHES			CHK	RWB 3/18/05
		.X	±.1	TITLE		SCALE 1=2	
D		.XX	±.03	OUTLINE		REF M1030940.00	
00		.XXX	±.005	30 FRAME DC- P300 GEARBOX		FMF M1125074.00	
NO.		BY & DATE	CHK ANG	FINISH	PREV		
THIS DRAWING IN DESIGN AND DETAIL IS OUR PROPERTY AND MUST NOT BE USED EXCEPT IN CONNECTION WITH OUR WORK ALL RIGHTS OF DESIGN AND INVENTION ARE RESERVED THIS IS AN ELECTRONICALLY GENERATED DOCUMENT - DO NOT SCALE THIS PRINT		RFP		CAD FILE	M1030961	SIZE	DRAWING NO.
		DIST				B	M1030961
							REV. D

D.C. MOTORS



EXTERNAL CONNECTIONS FOR CW ROTATION
 VIEWING LEAD END OF MOTOR WITH RED LEAD
 POSITIVE (+) AND BLACK LEAD NEGATIVE (-)
 FOR CCW ROTATION REVERSE POLARITY

				TOLERANCES UNLESS SPECIFIED		 ELECTRIC MOTORS GEARMOTORS AND DRIVES	DRAWN RWS 3/15/05 CHK RPB 3/15/05 APPD			
				DEC.	INCHES		TITLE	SCALE 1=1		
				.X	±.1		CONNECTION DIAGRAM	REF 901.706		
				.XX	±.01			MAT'L.	FMF	
				.XXX	±.005			FINISH	PREV	
00	RELEASED COMM CONVERSION PROJECT	RWS 4/13/05	RPB	.XXXX	±.0005	CAD FILE	M100530201	SIZE	DRAWING NO.	REV.
NO.	REVISION	BY & DATE	CHK	ANG	±1/2"	DIST		A	M1005302.01	00

THIS DRAWING IN DESIGN AND DETAIL IS OUR PROPERTY AND MUST NOT BE USED EXCEPT IN CONNECTION WITH OUR WORK ALL RIGHTS OF DESIGN AND INVENTION ARE RESERVED THIS IS AN ELECTRONICALLY GENERATED DOCUMENT - DO NOT SCALE THIS PRINT