

Multi-Media Work Center

WPSDD3



This sturdy multimedia station includes an easy glide laptop shelf, two drop leaf shelves.

A cabinet, that includes an adjustable, even removable inner shelf.

Constructed from a durable black/gray laminate finish.

A set of silent roll, 3" furniture casters, two with locking brakes.

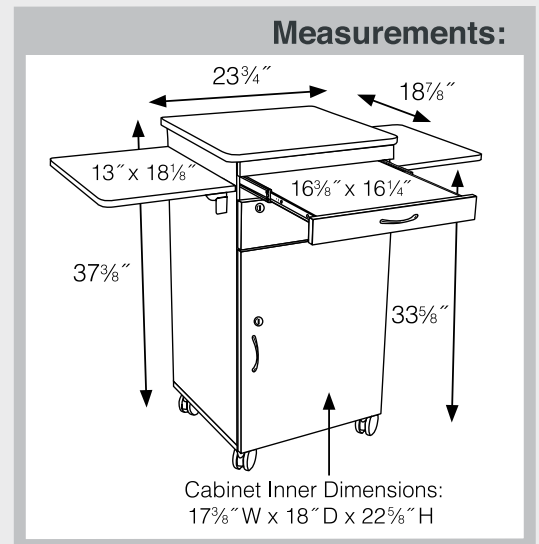
The Top shelf has a rounded corner for safety.



Closed View



Adjustable Inner Shelf



Ships Via Truck Line 