



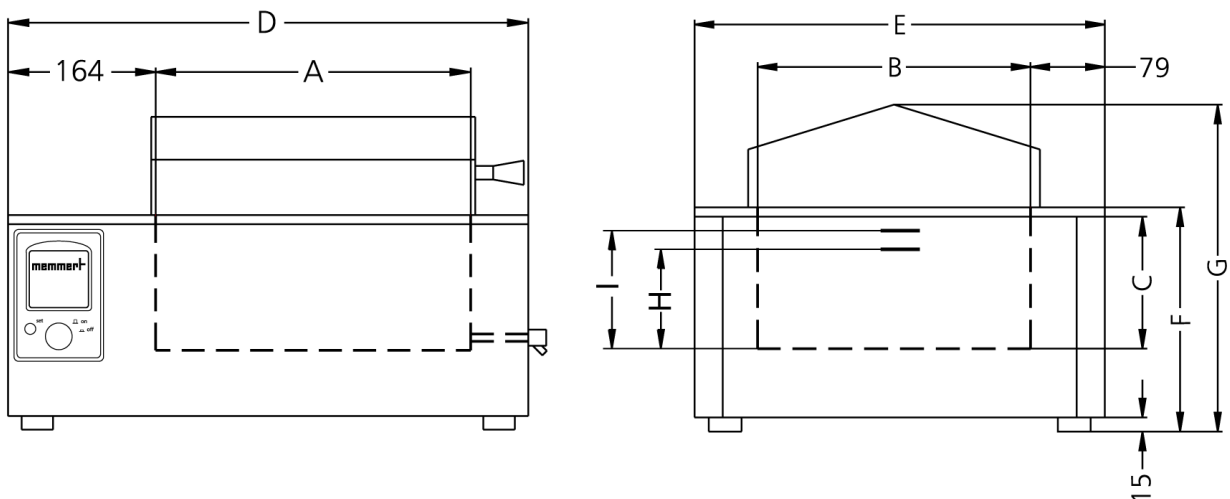
Oilbath

ONE 10

Absolute safety for laboratory and samples, even at high temperatures through corrosion-resistant stainless steel, precise electronics and multiple temperature protection.



On this page, you can find all the essential technical data on the Memmert oil bath. Our customer relations team will be pleased to help if you want further information. If you should require a customised special solution, please contact our technical specialists at myAtmoSAFE@memmert.com.



Control of standard components

Timer digital timer from 1 min. up to 999 hours for:ON (continuous operation),DELAYED ON,HOLD or HOLD set-temperature dependentwith guaranteed holding time

Controller digital display (LED) of all set parameters, such as temperature and alarm values (0,1°C resolution)as well as time values

Temperature

resolution of display and setting accuracy +0,1°C below 99,9°C, 1°C above 100°C

Temperature range in °C min. 5°C above ambient up to +200°C

Control technology

Calibration on controller

Safety

Autodiagnostic system fuzzy-supported PID microprocessor controllerwith integrated autodiagnostic system withfault indication

Temperature control 2 Pt100 sensors Class A in 4-wire-circuit,mutually monitoring and taking over theperformance at the same temperature value

Alarm visual and acoustic alarm at programme endand as input acknowledgement as well asin case of low liquid level,heating is switched off automatically

Temperature control in case of overtemperature due to failure,the heating is switched off at approx. 10°Cabove the set temperature (fixed value)

Temperature control independently working, electronicovertemperature temperature limiterTWB protection class 2

Temperature control mechanical temperature limiter TB protectionclass 1 switching the heating off at approx. 30°Cabove max. temperature of the bath

Heating concept

corrosion-proof large-area heating on three sides

Standard equipment

Interior material 1.4301 (ASTM 304), corrosion resistant

Interior easy-to-clean interior, made of stainlesssteel, reinforced by deep drawn ribbing,material no. 1.4301 (ASTM 304), laser-welded

Stainless steel interior

Dimensions W x H x D in mm $w_{(A)} \times h_{(B)} \times d_{(C)}$: 350 x 210 x 140 mm

Volume 10 l

Textured stainless steel casing

$w_{(D)} \times h_{(E)} \times d_{(F)}$: 578 x 356 x 238 mm

Electrical data

Electrical load approx. 1200 W (during heating)

Voltage 230 V, 50/60 Hz

Packing/shipping data

the appliances must be transported upright

Customs tariff number 8419 8998

Country of origin Federal Republic of Germany

WEEE-Reg.-No. DE 66812464

Dimensions approx incl. carton B x H x T: 670 x 450 x 380 mm

Net weight approx. 13 kg

Gross weight carton approx. 19 kg

Standard units are safety-approved and bear the test marks

