



**Dearborn®
Brass**

4675 W. 160th St.
Cleveland, Ohio 44135
Ph: (800) 321-9532
Fax: (800) 321-9535
www.dearbornbrass.com

SUBMITTAL SPECIFICATION

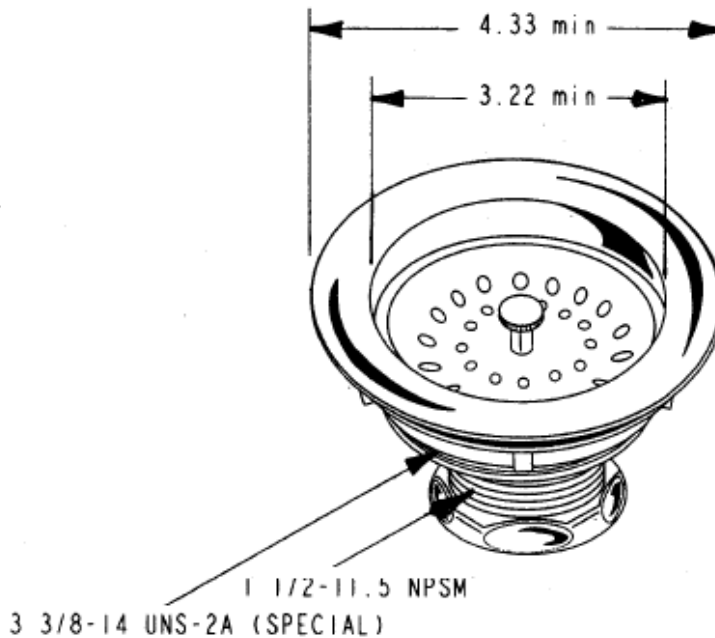
10 STANDARD THREADED BODY SINK BASKET STRAINER

Engineering Specification: Dearborn Brass 10 Standard Threaded Body Sink Basket Strainer is manufactured from stainless steel body and basket. This product is ideal for use on residential kitchen sinks.

Job Reference

DESCRIPTION

- 10 Threaded Body Sink Basket Strainer Assembly
 - BODY: Stainless steel
 - BASKET: Stainless steel, metal post
 - STOPPER: Rubber stopper



✓	Product No.	Description	Carton Quantity	Carton Weight (lbs)
	10	Standard Threaded Body Sink Basket Strainer	24	14
	10T	Standard Threaded Body Sink Basket Strainer with 4" Chrome Plated Tailpiece	24	17
	4201-3-3	Replacement Basket for 10	1	.25
	4202-2-3	Replacement Rubber Washer for 10	1	.04

Data is subject to manufacturing tolerances.