



4700 W. 160th St.
Cleveland, OH 44135
PH: 800-321-9532
FX: 800-321-9535
www.oatey.com

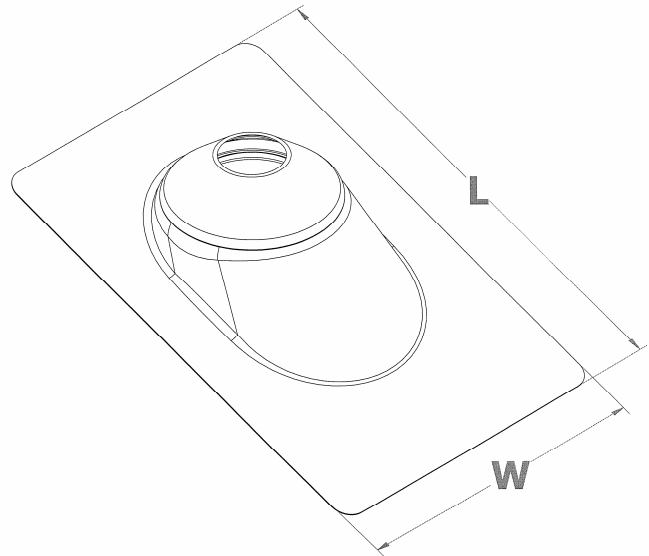
TECHNICAL SPECIFICATION

**BENT-EDGE
GALVANIZED BASE
ALL-FLASH® NO-CALK®
ROOF FLASHINGS**



Engineering Specification: Oatey Bent-Edge Galvanized Base All-Flash No-Calk Roof Flashings can be used in commercial and residential applications where a watertight seal for roof penetrations around the plumbing vent pipe is required. 3/4" turned up edge allows improved drainage off the roof.

Job Reference



(All dimensions in inches)

- ◆ Roof Flashing slides over DWV pipe for pitch to 40°
- ◆ Patented All-Flash collar has tear-away ring allowing flashing to seal various pipe diameters
- ◆ Made of rust-proof, stamped 24 gauge galvanized steel
- ◆ Non-fading sealing collar
- ◆ Approved for Type B installations
- ◆ Not for hot-mopped or built-up roofs
- ◆ Do not use paint or petroleum based products on rubber collars

✓	Product No.	Description	Length (L)	Width (W)	PACK	CARTON WEIGHT
	11962	1-1/2" – 3" Bent-Edge Galvanized All-Flash Roof Flashing	17	17	12	12 lbs.
	11963	3" – 4" Bent-Edge Galvanized All-Flash Roof Flashing	17	17	12	21 lbs.



Data is subject to manufacturing tolerances.