



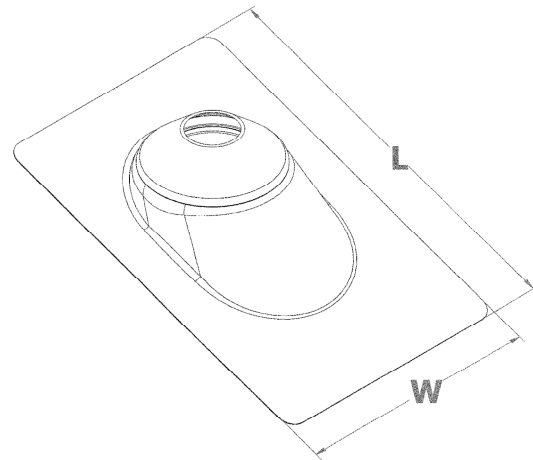
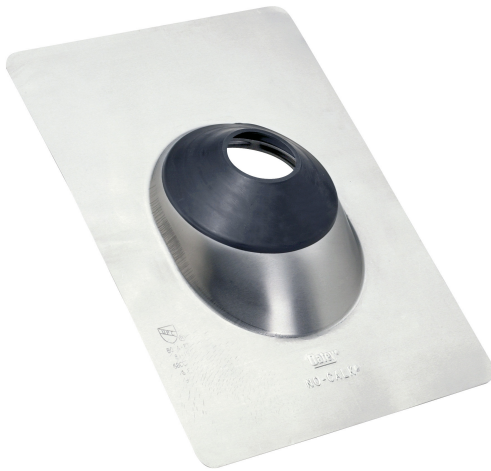
ENGINEERING SUBMITTAL

4675 West 160th St
Cleveland, OH 44135
PH: 1.800.321.9532
FX: 1.800.321.9535

ALUMINUM BASE SELF-SEAL[®] ROOF FLASHINGS

Job Reference

Engineering Specification: Arfco Aluminum Base Self-Seal Roof Flashings can be used in commercial and residential applications where a watertight seal for roof penetrations around the plumbing vent pipe is required.



(All dimensions in inches)

- ◆ Roof Flashing slides over DWV pipe for pitch to 40°
- ◆ Made of stamped aluminum
- ◆ Non-fading sealing collar
- ◆ Approved for Type B installations
- ◆ Not for hot-mopped or built-up roofs
- ◆ Do not use petroleum based products on rubber collars
- ◆ All Roof Flashings are shipped 12 per carton

✓	Product No.	Description	Length (L)	Width (W)
	12101	1-1/4" - 1-1/2" Aluminum Self-Seal Roof Flashing	12-1/2"	9"
	12102	2" Aluminum Self-Seal Roof Flashing	12-1/2"	9"
	12103	3" Aluminum Self-Seal Roof Flashing	14-1/2"	11"
	12104	4" Aluminum Self-Seal Roof Flashing	15"	12"
	12836	1-1/4" - 1-1/2" Aluminum No-Calk Roof Flashing	18"	18"
	12849	2" Aluminum No-Calk Roof Flashing	18"	18"
	12852	3" Aluminum No-Calk Roof Flashing	18"	18"
	12865	4" Aluminum No-Calk Roof Flashing	18"	18"



IAPMO Listed

Data is subject to manufacturing tolerances.