



**Dearborn®
Brass**

4675 W. 160th St.
Cleveland, Ohio 44135
Ph: (800) 321-9532
Fax: (800) 321-9535
www.dearbornbrass.com

SUBMITTAL SPECIFICATION

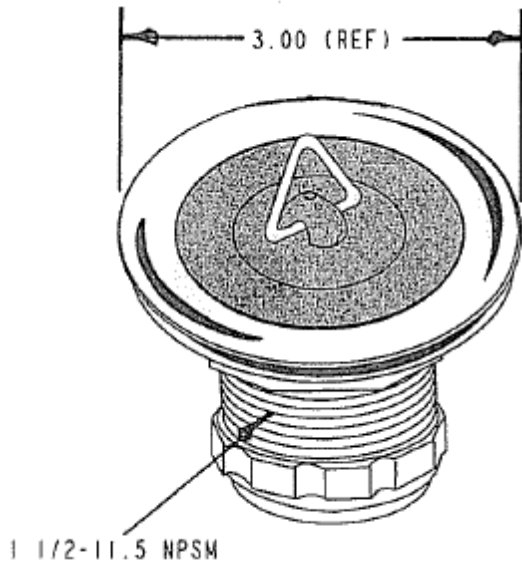
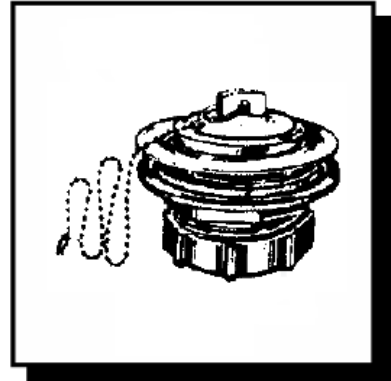
**774A TRAY PLUG
SINK STRAINER**

Engineering Specification: Dearborn Brass 774A Tray Plug Sink Strainer is manufactured from Chrome Plated Cast Brass with a Rubber Stopper. This product is ideal for use on 2" Tray Plug sink.

Job Reference

DESCRIPTION

- 774A Tray Plug Sink Strainer Assembly
 - BODY: Chrome-plated brass
 - STOPPER: Rubber Plug
- Heavy chrome plated, solid brass body



✓	Product No.	Description	Carton Quantity	Carton Weight (lbs)
	774A	Tray Plug Sink Basket Strainer	12	5

Data is subject to manufacturing tolerances.