



4700 W. 160th St.
Cleveland, Ohio 44135
Ph: (800) 321-9532
Fax: (800) 321-9535
www.oatey.com

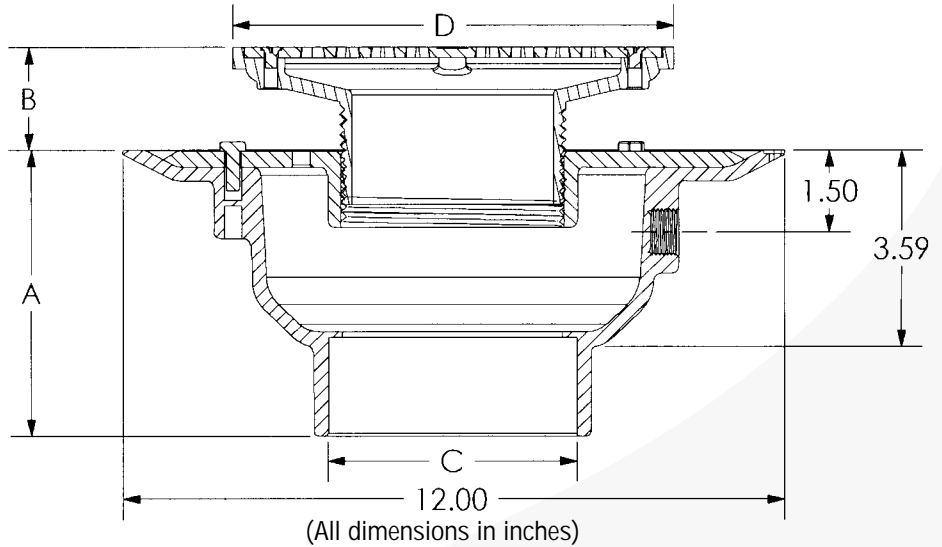
72000 Series PVC Adjustable Commercial Drain Cast Barrel With Round Grate In Round Top



SUBMITTAL SPECIFICATION

Engineering Specification: Oatey commercial grade floor drains are used for general service in restaurants, restrooms and other commercial applications where traffic is expected. Barrel assembly is completely adjustable to meet the finished floor height.

Job Reference



- Barrel diameter is 3-1/2 in. IPS thread.
- Primer tap knock-out is 1/2 in. FIP thread.

✓	Socket Size (C)	Base Material	Barrel/Grate Finish	Grate Size	Part Number
	2 in.	PVC	Nickel	5 in.	72312
	2 in.	PVC	Nickel	6 in.	72332
	2 in.	PVC	Nickel	8 in.	72352
	2 in.	PVC	Nickel	10 in.	72372
	2 in.	PVC	Chrome	5 in.	72322
	2 in.	PVC	Chrome	6 in.	72342
	2 in.	PVC	Chrome	8 in.	72362
	2 in.	PVC	Chrome	10 in.	72382
	3 in.	PVC	Nickel	5 in.	72313
	3 in.	PVC	Nickel	6 in.	72333
	3 in.	PVC	Nickel	8 in.	72353
	3 in.	PVC	Nickel	10 in.	72373
	3 in.	PVC	Chrome	5 in.	72323
	3 in.	PVC	Chrome	6 in.	72343
	3 in.	PVC	Chrome	8 in.	72363
	3 in.	PVC	Chrome	10 in.	72383
	4 in.	PVC	Nickel	5 in.	72314
	4 in.	PVC	Nickel	6 in.	72334
	4 in.	PVC	Nickel	8 in.	72354
	4 in.	PVC	Nickel	10 in.	72374
	4 in.	PVC	Chrome	5 in.	72324
	4 in.	PVC	Chrome	6 in.	72344
	4 in.	PVC	Chrome	8 in.	72364
	4 in.	PVC	Chrome	10 in.	72384
	6 in.	PVC	Nickel	5 in.	72316
	6 in.	PVC	Nickel	6 in.	72336
	6 in.	PVC	Nickel	8 in.	72356
	6 in.	PVC	Nickel	10 in.	72376
	6 in.	PVC	Chrome	5 in.	72326
	6 in.	PVC	Chrome	6 in.	72346
	6 in.	PVC	Chrome	8 in.	72366
	6 in.	PVC	Chrome	10 in.	72386

	Dimensional Data			
	A	B	C	D
2 in.*	5.25 in.	1.00 – 3.75 in.	2 in. Hub	5.00, 6.00, 8.00 or 10.00 in.
3 in.	5.00 in.	1.00 – 3.75 in.	3 in. Hub	5.00, 6.00, 8.00 or 10.00 in.
4 in.	5.25 in.	1.00 – 3.75 in.	4 in. Hub	5.00, 6.00, 8.00 or 10.00 in.
6 in.	6.00 in.	1.00 – 3.75 in.	6 in. Hub	5.00, 6.00, 8.00 or 10.00 in.

*2 in. base includes 3 in. x 2 in. bushing.

Grate Properties			
Size	Finish	Open Area	Load*
5 in.	Nickel	6.00 in. ²	Medium
5 in.	Chrome	6.00 in. ²	Medium
6 in.	Nickel	7.00 in. ²	Medium
6 in.	Chrome	7.00 in. ²	Medium
8 in.	Nickel	16.48 in. ²	Light
8 in.	Chrome	16.48 in. ²	Medium
10 in.	Nickel	24.15 in. ²	Light
10 in.	Chrome	24.15 in. ²	Medium

*Load is defined by ASME A112.21.1M.
Light Duty – Safe live load under 2000 lbs.
Medium Duty – Safe live load between 2000 lbs. and 4999 lbs.

Data is subject to manufacturing tolerances.

All PVC Base Dimensions and Materials meet ASTM D2665.

1-7A

Visit www.oatey.com for updates.

Rev. 2/02



4700 W. 160th St.
Cleveland, Ohio 44135
Ph: (800) 321-9532
Fax: (800) 321-9535
www.oatey.com

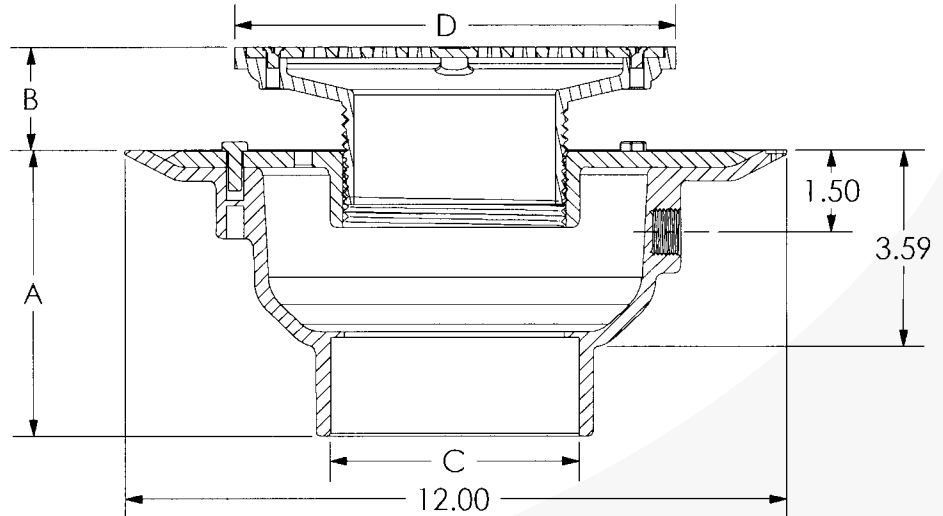
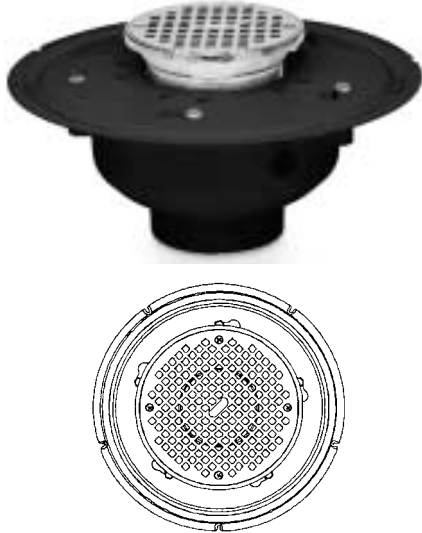
SUBMITTAL SPECIFICATION

**82000 Series
ABS Adjustable Commercial Drain
Cast Barrel With Round Grate In Round Top**



Engineering Specification: Oatey commercial grade floor drains are used for general service in restaurants, restrooms and other commercial applications where traffic is expected. Barrel assembly is completely adjustable to meet the finished floor height.

Job Reference



(All dimensions in inches)

- Barrel diameter is 3-1/2 in. IPS thread.
- Primer tap knock-out is 1/2 in. FIP thread.

✓	Socket Size (C)	Base Material	Barrel/Grate Finish	Grate Size	Part Number
	2 in.	ABS	Nickel	5 in.	82312
	2 in.	ABS	Nickel	6 in.	82332
	2 in.	ABS	Nickel	8 in.	82352
	2 in.	ABS	Nickel	10 in.	82372
	2 in.	ABS	Chrome	5 in.	82322
	2 in.	ABS	Chrome	6 in.	82342
	2 in.	ABS	Chrome	8 in.	82362
	2 in.	ABS	Chrome	10 in.	82382
	3 in.	ABS	Nickel	5 in.	82313
	3 in.	ABS	Nickel	6 in.	82333
	3 in.	ABS	Nickel	8 in.	82353
	3 in.	ABS	Nickel	10 in.	82373
	3 in.	ABS	Chrome	5 in.	82323
	3 in.	ABS	Chrome	6 in.	82343
	3 in.	ABS	Chrome	8 in.	82363
	3 in.	ABS	Chrome	10 in.	82383
	4 in.	ABS	Nickel	5 in.	82314
	4 in.	ABS	Nickel	6 in.	82334
	4 in.	ABS	Nickel	8 in.	82354
	4 in.	ABS	Nickel	10 in.	82374
	4 in.	ABS	Chrome	5 in.	82324
	4 in.	ABS	Chrome	6 in.	82344
	4 in.	ABS	Chrome	8 in.	82364
	4 in.	ABS	Chrome	10 in.	82384
	6 in.	ABS	Nickel	5 in.	82316
	6 in.	ABS	Nickel	6 in.	82336
	6 in.	ABS	Nickel	8 in.	82356
	6 in.	ABS	Nickel	10 in.	82376
	6 in.	ABS	Chrome	5 in.	82326
	6 in.	ABS	Chrome	6 in.	82346
	6 in.	ABS	Chrome	8 in.	82366
	6 in.	ABS	Chrome	10 in.	82386

	Dimensional Data			
	A	B	C	D
2 in.*	5.25 in.	1.00 – 3.75 in.	2 in. Hub	5.00, 6.00, 8.00 or 10.00 in.
3 in.	5.00 in.	1.00 – 3.75 in.	3 in. Hub,	5.00, 6.00, 8.00 or 10.00 in.
4 in.	5.25 in.	1.00 – 3.75 in.	4 in. Hub	5.00, 6.00, 8.00 or 10.00 in.
6 in.	6.00 in.	1.00 – 3.75 in.	6 in. Hub	5.00, 6.00, 8.00 or 10.00 in.

*2 in. base includes 3 in. x 2 in. bushing.

Grate Properties			
Size	Finish	Open Area	Load*
5 in.	Nickel	6.00 in. ²	Medium
5 in.	Chrome	6.00 in. ²	Medium
6 in.	Nickel	7.00 in. ²	Medium
6 in.	Chrome	7.00 in. ²	Medium
8 in.	Nickel	16.48 in. ²	Light
8 in.	Chrome	16.48 in. ²	Medium
10 in.	Nickel	24.15 in. ²	Light
10 in.	Chrome	24.15 in. ²	Medium

*Load is defined by ASME A112.21.1M.
Light Duty – Safe live load under 2000 lbs.
Medium Duty – Safe live load between 2000 lbs. and 4999 lbs.