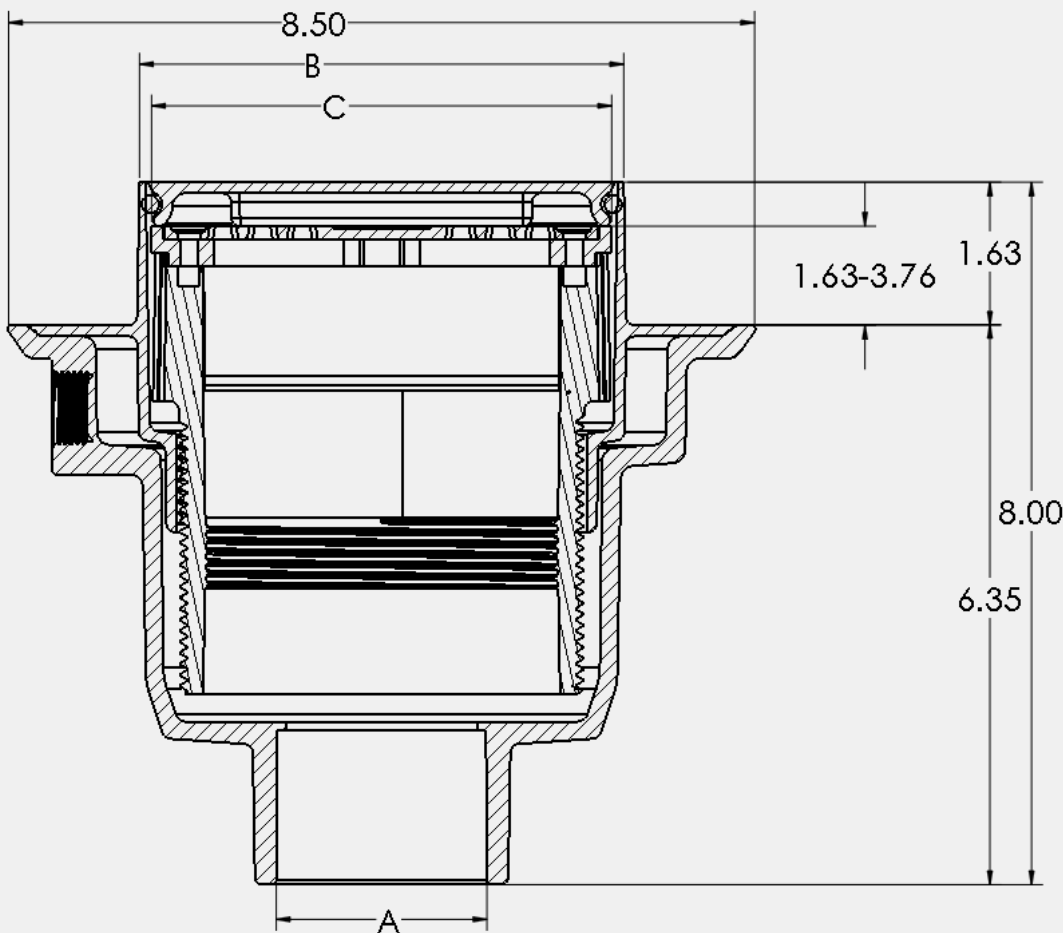


**TECHNICAL SPECIFICATION:** Oatey's True Set™ commercial cleanouts are used for commercial plumbing applications. Barrel assembly is adjustable before and after pour to meet the finished floor height.



\*ALL DIMENSIONS  
IN INCHES

\*ALL CLEANOUT  
LOAD RATING OF  
MEDIUM DUTY

\*LOAD IS DEFINED  
BY ASME  
A112.21.1M.

\*MEDIUM DUTY-  
SAFE LIVE LOAD  
BETWEEN 2000LBS  
AND 4999LBS.

\*ALL PVC BASE  
DIMENSIONS AND  
MATERIALS MEET  
ASTM D2665

\*ALL ABS BASE  
DIMENSIONS AND  
MATERIALS MEET  
ASTM D2661

\* PRIMER TAP  
KNOCK-OUT IS ½  
IN. FIP THREAD.

P/N	DESCRIPTION	A	B	C	MATERIAL	✓
TP223B	2" SW PVC True-Set Flanged Cleanout w/ 6" Rnd Brass Cvr	2" HUB	6.4"	6.15"	PVC	
TP323B	3" SW PVC True-Set Flanged Cleanout w/ 6" Rnd Brass Cvr	3" HUB	6.4"	6.15"	PVC	
TP423B	4" SW PVC True-Set Flanged Cleanout w/ 6" Rnd Brass Cvr	4" HUB	6.4"	6.15"	PVC	
TA223B	2" SW ABS True-Set Flanged Cleanout w/ 6" Rnd Brass Cvr	2" HUB	6.4"	6.15"	ABS	
TA323B	3" SW ABS True-Set Flanged Cleanout w/ 6" Rnd Brass Cvr	3" HUB	6.4"	6.15"	ABS	
TA423B	4" SW ABS True-Set Flanged Cleanout w/ 6" Rnd Brass Cvr	4" HUB	6.4"	6.15"	ABS	
TP224B	2" SW PVC True-Set Flanged Cleanout w/ 6" Rnd Brass Cvr w/ ring	2" HUB	6.4"	6.15"	PVC	
TP324B	3" SW PVC True-Set Flanged Cleanout w/ 6" Rnd Brass Cvr w/ ring	3" HUB	6.4"	6.15"	PVC	
TP424B	4" SW PVC True-Set Flanged Cleanout w/ 6" Rnd Brass Cvr w/ ring	4" HUB	6.4"	6.15"	PVC	
TA224B	2" SW ABS True-Set Flanged Cleanout w/ 6" Rnd Brass Cvr w/ ring	2" HUB	6.4"	6.15"	ABS	
TA324B	3" SW ABS True-Set Flanged Cleanout w/ 6" Rnd Brass Cvr w/ ring	3" HUB	6.4"	6.15"	ABS	
TA424B	4" SW ABS True-Set Flanged Cleanout w/ 6" Rnd Brass Cvr w/ ring	4" HUB	6.4"	6.15"	ABS	
TP223N	2" SW PVC True-Set Flanged Cleanout w/ 6" Rnd Nickel Bronze Cvr	2" HUB	6.4"	6.15"	PVC	
TP323N	3" SW PVC True-Set Flanged Cleanout w/ 6" Rnd Nickel Bronze Cvr	3" HUB	6.4"	6.15"	PVC	
TP423N	4" SW PVC True-Set Flanged Cleanout w/ 6" Rnd Nickel Bronze Cvr	4" HUB	6.4"	6.15"	PVC	

P/N	DESCRIPTION	A	B	C	MATERIAL	✓
TA223N	2" SW ABS True-Set Flanged Cleanout w/ 6" Rnd Nickel Bronze Cvr	2" HUB	6.4"	6.15"	PVC	
TA323N	3" SW ABS True-Set Flanged Cleanout w/ 6" Rnd Nickel Bronze Cvr	3" HUB	6.4"	6.15"	PVC	
TA423N	4" SW ABS True-Set Flanged Cleanout w/ 6" Rnd Nickel Bronze Cvr	4" HUB	6.4"	6.15"	PVC	
TP224N	2" SW PVC True-Set Flanged Cleanout w/ 6" Rnd Nickel Bronze Cvr w/ ring	2" HUB	6.4"	6.15"	ABS	
TP324N	3" SW PVC True-Set Flanged Cleanout w/ 6" Rnd Nickel Bronze Cvr w/ ring	3" HUB	6.4"	6.15"	ABS	
TP424N	4" SW PVC True-Set Flanged Cleanout w/ 6" Rnd Nickel Bronze Cvr w/ ring	4" HUB	6.4"	6.15"	ABS	
TA224N	2" SW ABS True-Set Flanged Cleanout w/ 6" Rnd Nickel Bronze Cvr w/ ring	2" HUB	6.4"	6.15"	PVC	
TA324N	3" SW ABS True-Set Flanged Cleanout w/ 6" Rnd Nickel Bronze Cvr w/ ring	3" HUB	6.4"	6.15"	PVC	
TA424N	4" SW ABS True-Set Flanged Cleanout w/ 6" Rnd Nickel Bronze Cvr w/ ring	4" HUB	6.4"	6.15"	PVC	
TP223C	2" SW PVC True-Set Flanged Cleanout w/ 6" Rnd Chrome Cvr	2" HUB	6.4"	6.15"	ABS	
TP323C	3" SW PVC True-Set Flanged Cleanout w/ 6" Rnd Chrome Cvr	3" HUB	6.4"	6.15"	ABS	
TP423C	4" SW PVC True-Set Flanged Cleanout w/ 6" Rnd Chrome Cvr	4" HUB	6.4"	6.15"	ABS	
TA223C	2" SW ABS True-Set Flanged Cleanout w/ 6" Rnd Chrome Cvr	2" HUB	6.4"	6.15"	PVC	
TA323C	3" SW ABS True-Set Flanged Cleanout w/ 6" Rnd Chrome Cvr	3" HUB	6.4"	6.15"	PVC	
TA423C	4" SW ABS True-Set Flanged Cleanout w/ 6" Rnd Chrome Cvr	4" HUB	6.4"	6.15"	PVC	
TP224C	2" SW PVC True-Set Flanged Cleanout w/ 6" Rnd Chrome Cvr w/ ring	2" HUB	6.4"	6.15"	ABS	
TP324C	3" SW PVC True-Set Flanged Cleanout w/ 6" Rnd Chrome Cvr w/ ring	3" HUB	6.4"	6.15"	ABS	
TP424C	4" SW PVC True-Set Flanged Cleanout w/ 6" Rnd Chrome Cvr w/ ring	4" HUB	6.4"	6.15"	ABS	
TA224C	2" SW ABS True-Set Flanged Cleanout w/ 6" Rnd Chrome Cvr w/ ring	2" HUB	6.4"	6.15"	PVC	
TA324C	3" SW ABS True-Set Flanged Cleanout w/ 6" Rnd Chrome Cvr w/ ring	3" HUB	6.4"	6.15"	PVC	
TA424C	4" SW ABS True-Set Flanged Cleanout w/ 6" Rnd Chrome Cvr w/ ring	4" HUB	6.4"	6.15"	PVC	