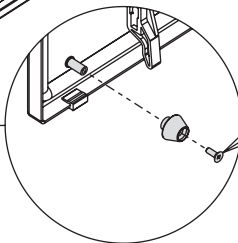
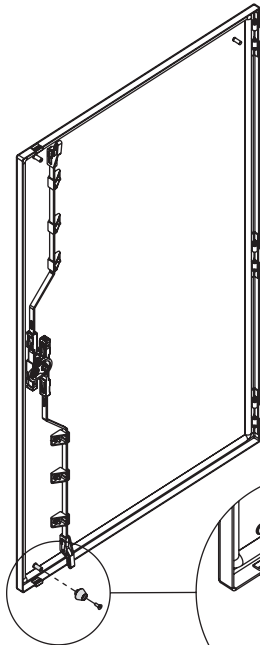
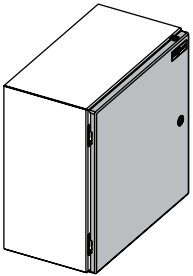
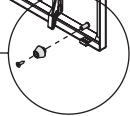
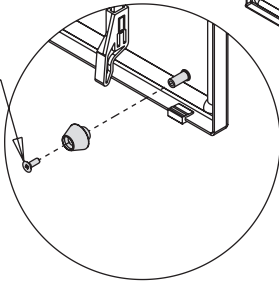
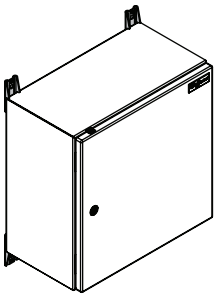

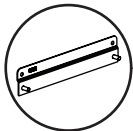


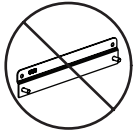



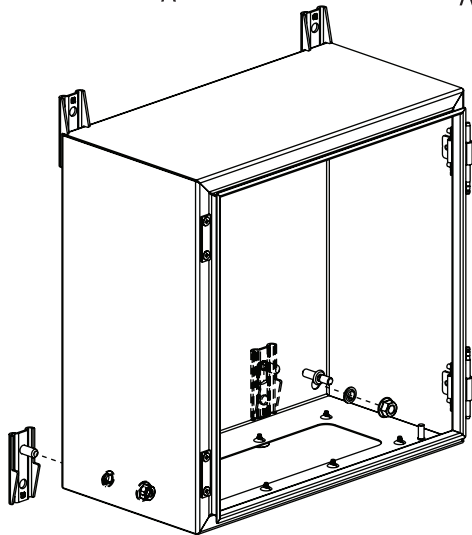
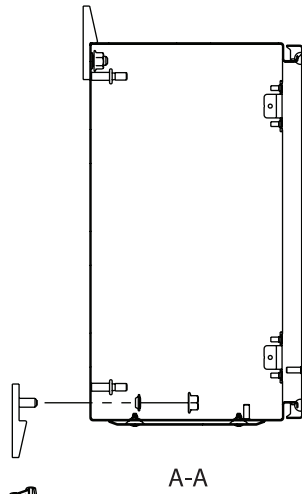
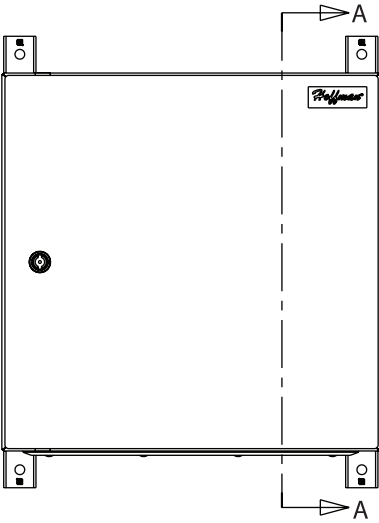
38 IN-LB
(4.3 Nm)

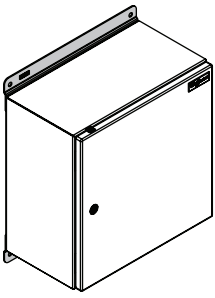



38 IN-LB
(4.3 Nm)



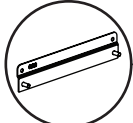


			
	<p>CMFK CMFKSS CMTGFT GMTBKTMS</p>		

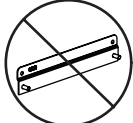




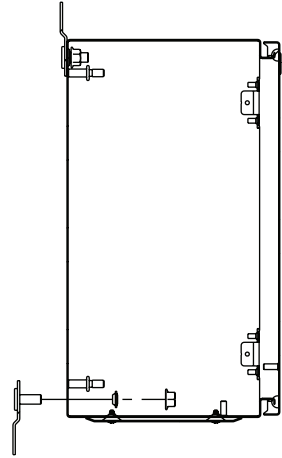
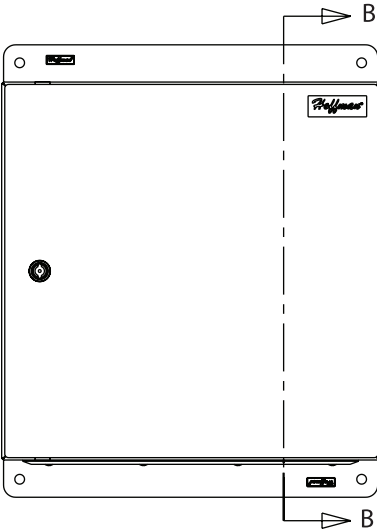




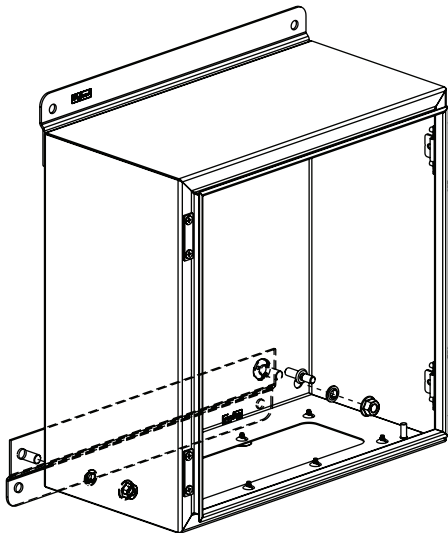
CMFK
CMFKSS
CMTGFT
GMTBKTMS

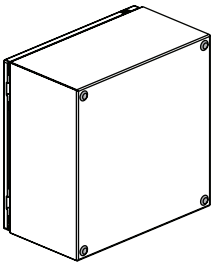
  → 


  → 

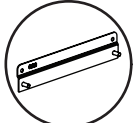




B-B






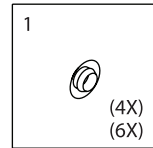
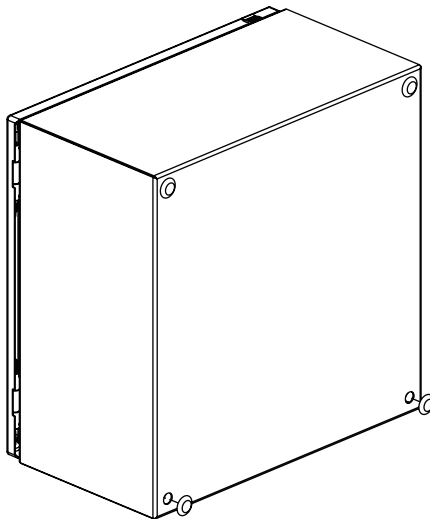
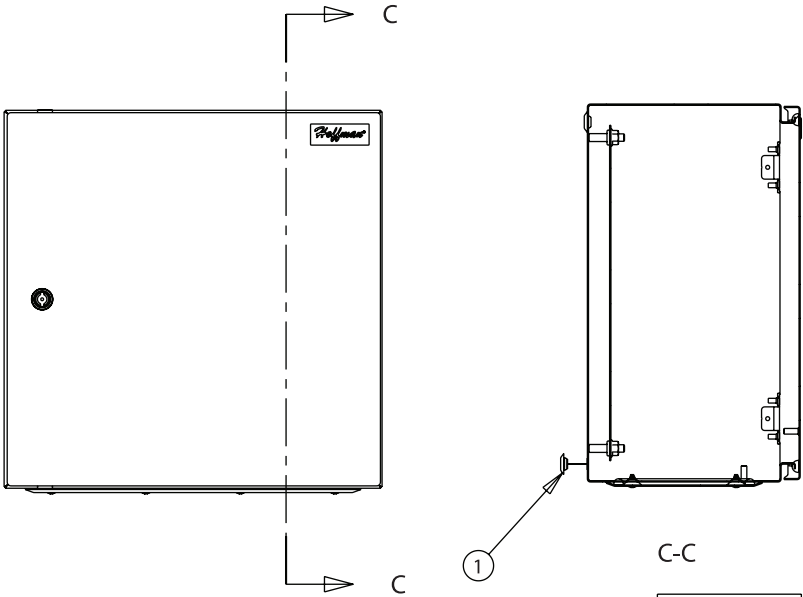


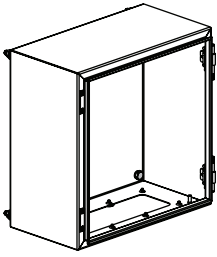


  → 

CMFK
CMFKSS
CMTGFT
GMTBKTMS

  → 





→

CMFK
CMFKSS
CMTGFT
GMTBKTMS

→

