

**Model: PFSWCPC75201451F10  
PFSWCPC75201452F10**

**Features:**

Submersible sewage pump designed for typical raw sewage and typical septic tank/effluent applications.

- **DISCHARGE:** 2" NPT Male, Vertical
- **LIQUID TEMPERATURE:** 32°-131°F
- **MOTOR HOUSING:** Cast Iron.
- **IMPELLER:** Corrosion-resistant, reinforced Thermoplastic
- **PUMP BASE:** Cast Iron.
- **SHAFT:** Stainless Steel
- **HARDWARE:** Stainless steel
- **GASKET:** Rubber
- **SEAL:** Single mechanical, Carbon/Ceramic/Stainless Steel
- **UPPER BEARING:** Single row, ball, oil lubricated
- **LOWER BEARING:** Single row, ball, oil lubricated
- **POWER CORD:** **115V** - SJTW, 16AWG/3C Cord with plug,  
**230V** - SJTW 18AWG/3C Cord with plug.
- **MOTOR:** Energy efficient Permanent Split Capacitor (PSC), Oil filled, Class B insulation, Continuous duty (water depth must be at least 6" to prevent motor from overheating), Auto reset thermal overload protector, Circuit requirements; 115V - 20 AMPS, 230V - 10 AMPS.
- **LEVEL CONTROL:** Vertical, Mechatronic, Normally Open (N/O), Reinforced thermoplastic, **115V**- SJTW 16AWG/3C,  
**230V** - SJTW 18AWG/3C, 10 Ft. cord with, Piggy-back plug, On-Off points are adjustable, Attaches to discharge piping.
- **WARRANTY:** 3 year



**Submersible Sewage Pump  
2" Discharge,  
2" Spherical Solids  
Vertical Float**



MODEL	HP	Hz	Volts/Ph	RPM	FL AMPS	Cord Length	Wt.
PFSWCPC75201451F10	3/4	60	115/1	1750	9.5	10 ft	32.3 lbs
PFSWCPC75201452F10	3/4	60	230/1	1750	4.7	10 ft	32.3 lbs

HEAD in Ft	0 Ft	5 Ft	10 Ft	15 Ft	Max Lift	Max Pressure
<b>FLOW Gallon/Minute</b>	145	125	100	65	20 Ft	8.8 psi
<b>FLOW Gallon/Hour</b>	8700	7500	6000	3900		



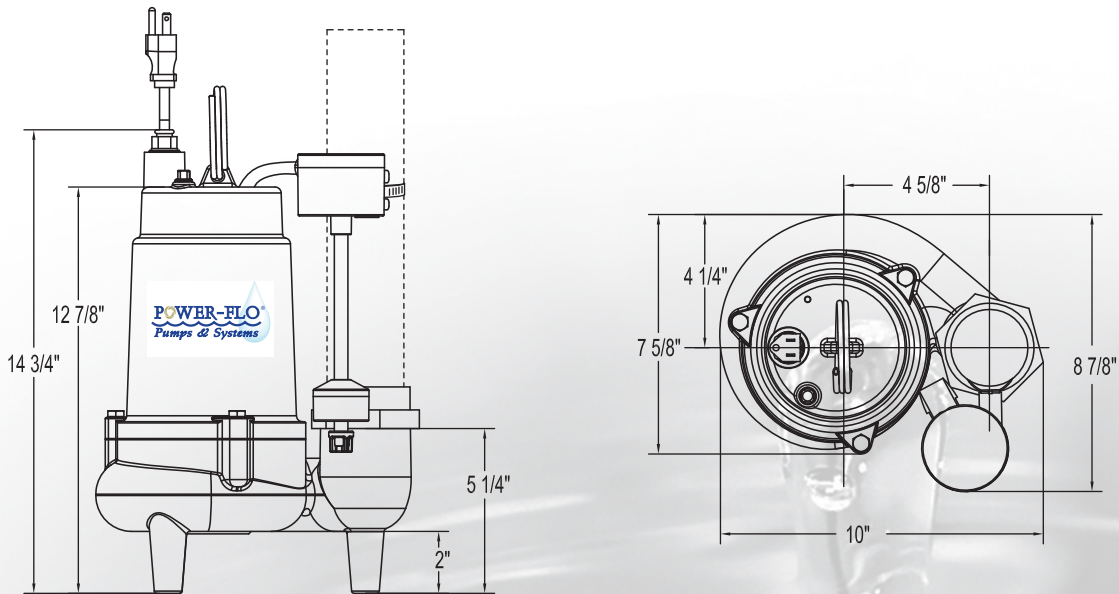
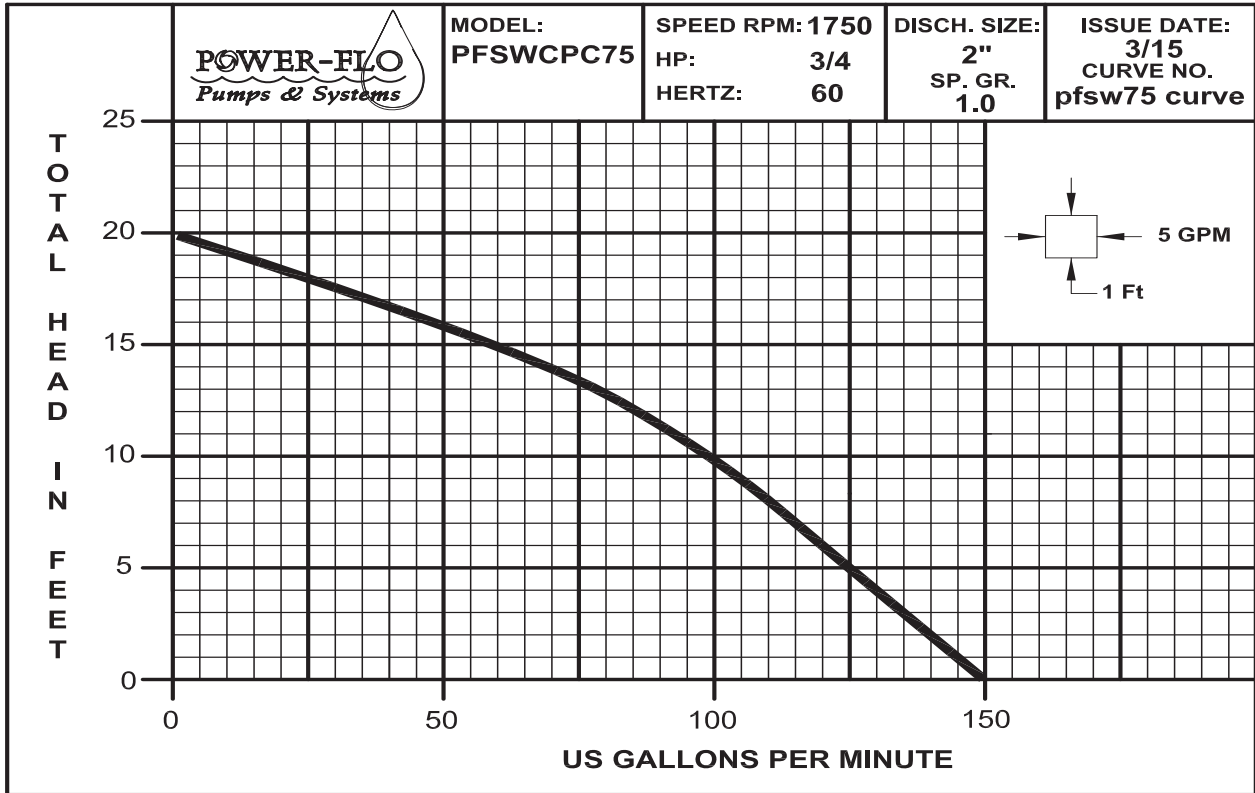
PF	TYPE U, SP, SW	Motor Housing P, C	Impeller Type P, C	Suction Plate Type P, C	Motor HP 25, 33, 50, 75, 1	30	50	Voltage 1 or 2	Float Switch Type M, F, T	Cord Length 10, 15
Power-Flo	U = Utility SP = Sump Pump SW = Sewage Pump	P = Plastic C = Cast Iron	P = Plastic C = Cast Iron	P = Plastic C = Cast Iron	25 = 1/4 HP 33 = 1/3 HP 50 = 1/2 HP 75 = 3/4 HP 1 = 1 HP	<b>Shut Off Head (ft)</b>	<b>Max Flow (Gal)</b>	1 = 115 V 2 = 230V	M = Manual F = Fixed Vertical T = Tethered	10 Ft 20 Ft

**EXAMPLE:** PFSPCPC3330501T10 - Power-Flo Pumps - Sump Pump - Cast Iron Motor Housing - Plastic Impeller - Cast Iron Suction Plate - 1/3HP - 30" Shut Off Head - 50GPM Max Flow - 115 Volt - Tethered Float - 10' Cord



# Sump, Sewage, & Utility Pumps - 3/4HP - 115V & 230V - Cast Iron

Model: PFSWCPC75201451F10  
PFSWCPC75201452F10



PF	TYPE U, SP, SW	Motor Housing P, C	Impeller Type P, C	Suction Plate Type P, C	Motor HP 25, 33, 50, 75, 1	30	50	Voltage 1 or 2	Float Switch Type M, F, T	Cord Length 10, 15
Power-Flo	U = Utility SP = Sump Pump SW = Sewage Pump	P = Plastic C = Cast Iron	P = Plastic C = Cast Iron	P = Plastic C = Cast Iron	25 = 1/4 HP 33 = 1/3 HP 50 = 1/2 HP 75 = 3/4 HP 1 = 1 HP	Shut Off Head (ft)	Max Flow (Gal)	1 = 115 V 2 = 230V	M = Manual F = Fixed Vertical T = Tethered	10 Ft 20 Ft

EXAMPLE: PFSWCPC3330501T10 - Power-Flo Pumps - Sump Pump - Cast Iron Motor Housing - Plastic Impeller - Cast Iron Suction Plate - 1/3HP - 30" Shut Off Head - 50GPM Max Flow - 115 Volt - Tethered Float - 10' Cord

