

# Operating Instructions

## Series L 70000 Spring Driven Cord Reels

Model Numbers:

L 70075 123 3	L 70100 123 7	L 70075 123 X
L 70100 123 3	L 70075 123 7A	L 70075
L 70075 123 3A	L 70100 123 7A	L 70100 123 X
L 70100 123 3A	L 70075 123 9	L 70100
L 70075 123 3B	L 70100 123 9	L 70100 124 X
L 70100 123 3B	L 70075 123 9G	L 70100 124
L 70075 123 7	L 70100 123 9G	



### Dimensions

	A	20 1/4"
	B	19 3/4"
	C	7 7/8"
	D	3 7/8"
	E	12 1/2"

### IMPORTANT

Read this manual carefully before installing, operating or servicing this equipment.

### SAFETY

Personal injury and/or equipment damage may result if proper safety precautions are not observed.

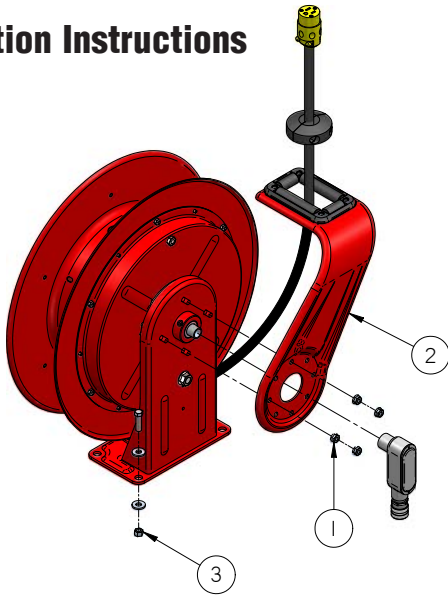
- Ensure that only a qualified electrician installs/services this equipment.
- Ensure that power supply voltage does not exceed maximum voltage rating of reel.
- Ensure that all electrical power is removed from reel before servicing.
- A high-tension spring assembly is contained within the reel. Exercise extreme caution.
- Check for frayed and/or broken wires before each use. Pull electrical cord from reel by grasping the electrical cord itself, not the work device.
- If an electrical malfunction should occur, remove power from reel immediately.
- Ensure that reel, electrical cord, and equipment being serviced are properly grounded. Use an ohmmeter to check ground continuity.
- If reel ceases to unwind or rewind, remove power immediately. Do not pull or jerk on electrical cord!
- Treat and respect the reel as any other piece of machinery, observing all common safety practices.
- All cord reels with flying leads must be hard wired into the electrical circuit to ensure proper function.

**WARNING:** Even low voltage can cause irreparable damage or death! Exercise extreme caution while operating or servicing this equipment.

Form# 1287-916 Rev: 4/2017

## Installation Instructions

### Mounting

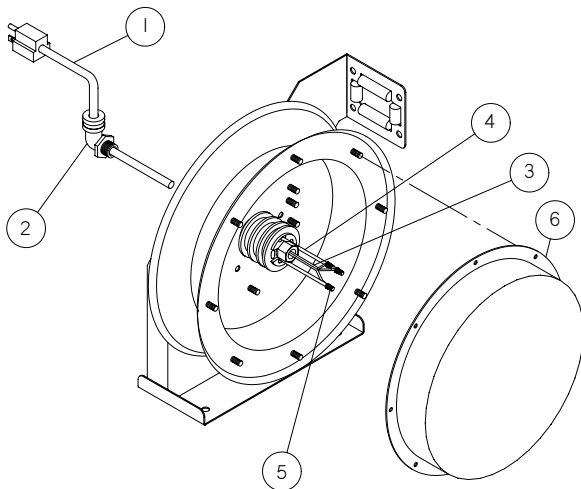


#### CAUTION:

Unless reel was specified differently when ordering, maximum installation height is 16 feet. Do not exceed this distance. Ensure that only a qualified electrician installs/services this equipment. Observe applicable NEC, OSHA, and local codes when installing this equipment. Installation of GFCI cord reels should be performed by a qualified and licensed professional in accordance with local building codes and applicable NEC standards.

1. Unpack and inspect the reel for damage. Turn by hand to check for smooth operation. Check for completeness.
2. Configure reel for top, side or bottom-wind (bottom-wind for constant tension reels only) electrical cable dispensing by removing bolts (1) securing guide arm bracket (2).
3. Determine new guide arm bracket location and remove corresponding bolts. Position guide arm bracket to reel and replace bolts.
4. Position reel on floor, wall or ceiling. Secure into place using four (customer supplied) screws or bolts (3).

### Installing the Input Electrical Cable: 15 and 20 AMP Models

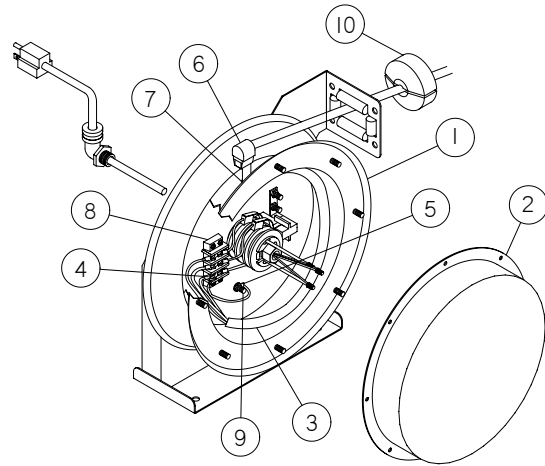


#### WARNING:

Use only 12/3 or 12/4 SEOOW cable for input wiring. Ensure that application does not exceed electrical rating of reel.

1. Feed input cable (1) through elbow (2) and main shaft.
2. Screw elbow (2) onto reel.
3. Connect input wires (3) and collector ring wires (4) together using wire nuts (5).
4. Take the provided zip tie (not pictured) and zip tie the input cable wires together closest to the slip ring.
5. Assemble cover (6) to reel.

### Installing the Output Electrical Cable: 15 and 20 AMP Models

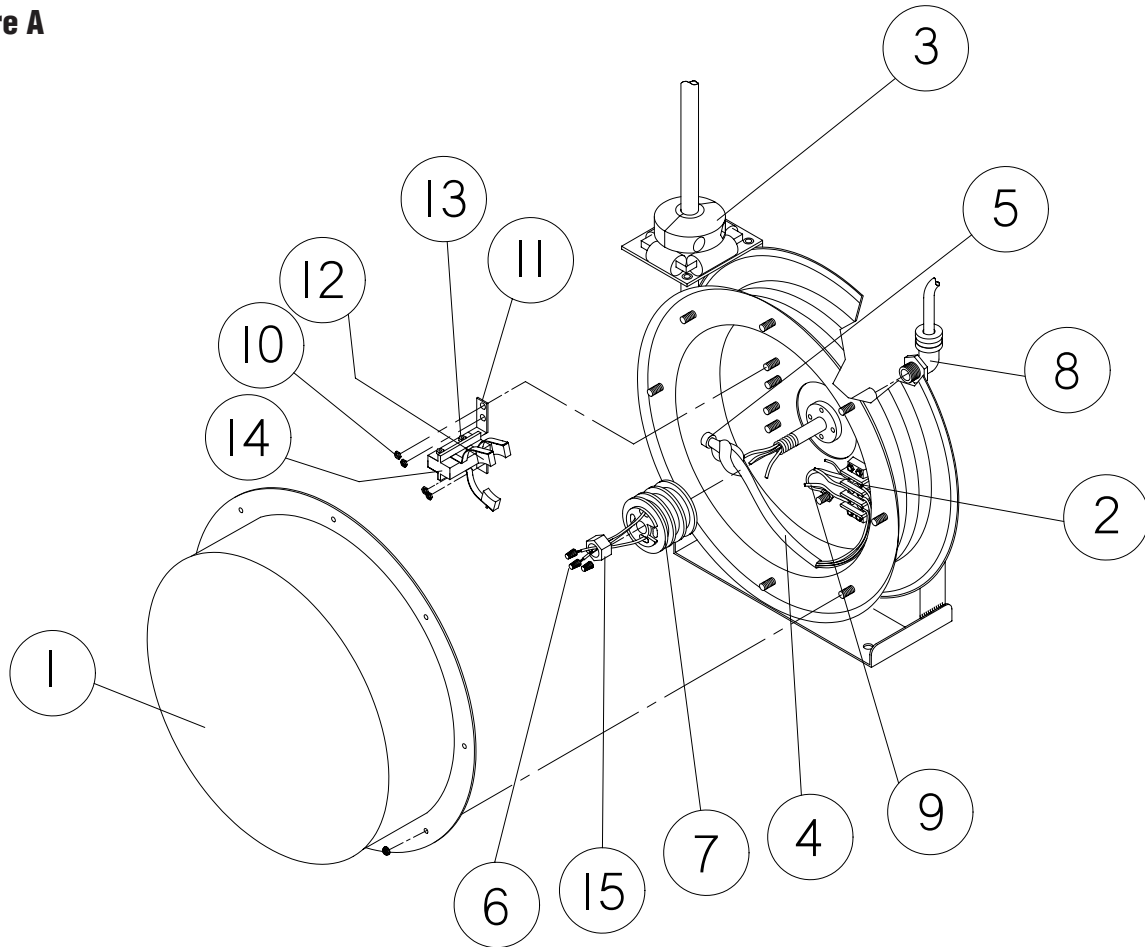


#### WARNING:

Select output cable in accordance with power requirement of apparatus to be supplied. Ensure that application does not exceed electrical rating of reel. Use extreme caution, reel under tension. Avoid releasing latch mechanism.

1. Manually turn sheave (1) until spring is tight, back off 2 turns and latch.
2. Remove access cover (2).
3. Remove 6" of output cable outer jacket (3) and add fork terminals (4) to ends.
4. Route cable through strain relief (6), then through cut out in spool (7).
5. Pull enough cable through hole for roughly a 1/2 an inner wrap shown.
6. Connect output wires to terminal block (8) as shown.
7. Connect ground wire to grounding stud (9) as shown.
8. Using an ohmmeter check for ground faults.
9. Take the provided cable clamp (not pictured) and attach it to the wire. Then take the cable clamp and screw it down to the right-most screw on the brush assembly (with the brush assembly facing upward).
10. Replace cover (2).
11. Replace latch and wind cable onto reel.
12. Install bumper stop (10).

**Figure A**



**Replacing the Output Cord/Work Device (figure A)**

**WARNING:**

Remove power from reel before performing any of the following procedures. Use extreme caution, reel under tension. Avoid releasing latch mechanism.

1. Pull output electrical cord from reel until fully extended, then latch.
2. Remove output bumper stop (3).
3. Remove access cover (1).
4. Disconnect output electrical cord/work device (4) at terminal strip (2).
5. Remove cable clamp.
6. Remove strain relief (5). Remove output electrical cord/work device.
7. Install replacement electrical cord/work device by reversing steps 2 through 5.
8. Release latch and rewind electrical cord on reel.
9. Replace access cover (1) and bumper stop (3).

**Replacing the Input Cord (figure A)**

**WARNING:**

All cord reels with GFCI receptacles must be hard wired into the electrical circuits. Use of 2 or 3 prong plugs may cause a potential malfunction of the GFCI receptacle.

1. Remove access cover (1).
2. Remove wire nuts (6) securing input electrical cord to collector assembly (7).
3. Remove zip tie (not pictured), being careful to not damage wires.
4. Remove 90 degree elbow (8).
5. Remove input electrical cord.
6. Remove 11" of outer jacket from replacement input electrical cord (input electrical cord wires must protrude a minimum of 6" from center of collector assembly).
7. Install replacement input electrical cord by reversing steps 1 through 4.
8. Replace access cover (1).

**Replacing the Brush Holder/Brushes (figure A)**

1. At terminal strip (2), remove wires connecting brushes (9) to terminal strip.
2. Remove lock nuts (10) securing brush holder (11) to reel. Relocate cable clamp temporarily and remove brush holder.
3. Remove brushes (12) from brush holder (11).
4. Install replacement brush holder/brushes by reversing steps 1 through 3. Upon completion of installation, adjust brush-to-ring alignment by loosening nuts (13) and sliding finger assembly (14).

### Replacing the Collector Assembly (figure A)

1. Remove access cover (1).
2. Remove wire nuts (6) securing input electrical cord to collector assembly.
3. Remove zip tie (not pictured), being careful to not damage wires.
4. At terminal strip (2), disconnect wires (9) connecting brushes (12) to terminal strip.
5. Remove lock nuts (10) securing brush holder (11) to reel. Relocate cable clamp temporarily and remove brush holder.
6. Remove coupling nut (15).
7. Remove collector assembly.
8. Install replacement collector assembly by reversing steps 1 through 5. Upon completion of installation, adjust brush-to-ring alignment by loosening nuts (13) and sliding finger assembly (14).
9. Replace access cover (1).

### Troubleshooting Instructions (figure A)

Troubleshooting of the reel consists of isolating a problem to a defective electrical cord/work device, brush holder/brushes, or collector assembly. Refer any other discrepancies only to an authorized service person or directly to Reelcraft.

#### **WARNING:**

The following procedure directs the technician to take voltage measurements. Remember, even low voltage is dangerous and can cause personal injury or death. Exercise extreme caution! Ensure that only a qualified electrician installs or services this equipment.

1. If work device is either an incandescent or fluorescent light, replace bulb with a known good bulb. If this does not correct the problem, proceed to step 2. If work device is an electrical receptacle, ensure that tool or fixture connected to it is in good working order. If it is, proceed to step 2.
2. Remove power from reel.
3. Remove access cover (1).
4. Reapply power to reel.
5. Check for correct voltage (120 vac) at a terminal strip (2). If voltage reading is correct, replace output electrical device (refer to page 3). If voltage reading is incorrect, proceed to step 6.
6. Remove power from reel.
7. Using ohmmeter, check continuity of input electrical cord. If cord checks good, proceed to step 8. If cord is faulty, replace it (refer to page 3). Remove brush holder/brushes from reel and inspect (refer to page 3). Replace defective components then proceed to step 9.
8. Reapply power to reel.
9. Check for correct voltage (120 vac) at terminal strip (2).
10. If voltage reading is still incorrect, replace defective collector assembly (refer to page 4).
11. Replace access cover (1).

### Service Instructions

Maintain reel by following the service instructions given in this manual. Refer all other repairs, other than those listed, only to an authorized service person or directly to Reelcraft. Failure to do so can result in personal injury and/or equipment damage and may void the warranty.



## Series L 70000 Spring Driven Cord Reels

Item #	Description	# Req'd	L 70075 123 3	L 70100 123 3	L 70075 123 3A	L 70100 123 3A	L 70075 123 3B
1	Snap Ring	5	300007	300007	300007	300007	300007
2	Lock Nut	2	261650-1	261650-1	261650-1	261650-1	261650-1
3	U-Bolt	1	3-117440	3-117440	3-117440	3-117440	3-117440
4	Nyloc Nut	21	S82-15	S82-15	S82-15	S82-15	S82-15
5	Latch Pawl Assembly	1	S602694	S602694	S602694	S602694	S602694
6	Set Screw	1	S35-84	S35-84	S35-84	S35-84	S35-84
7	Inlet Cord Assembly	1	602714	602714	602716	602716	602716
8	Strain Relief	1	261082	261082	261082	261082	261082
9	Pipe Fitting 90 Deg. Elbow	1	S159-14	S159-14	S159-14	S159-14	S159-14
10	Conduit Box Cover	1	None	None	None	None	None
11	Conduit Box	1	None	None	None	None	None
12	Lock Nut	4	300107	300107	300107	300107	300107
13	Bumper Stop Assembly	1	1-HR1004	1-HR1004	1-HR1004	1-HR1004	1-HR1004
14	Guide Arm & Roller Assy	1	S602697	S602697	S602697	S602697	S602697
15	Main Shaft	1	262947	262947	262947	262947	262947
16	Containerized Drive Spring	1	602718-80	602718-80	602718-80	602718-80	602718-80
17	Spring Arbor	1	261275	261275	261275	261275	261275
18	Arbor Key	1	261274	261274	261274	261274	261274
19	Strain Relief	1	260697-R	260697-R	260697-R	260697-R	260697-R
20	Spool & Hub Assembly	1	602703	602703	602703	602703	602703
21	Snap Ring	1	S140-13	S140-13	S140-13	S140-13	S140-13
22	Collector Ring Assembly	1	S602296	602296	602296	602296	602296
23	Hex Lock Nut	3	S300011	S300011	S300011	S300011	S300011
24	Cable Clamp	1	262371-1	262371-1	262371-1	262371-1	262371-1
25	Grounding Cord Assembly	1	600283	600283	600283	600283	600283
26	Terminal Block Assembly	1	600205	600205	600205	600205	600205
27	Outlet Cord Assembly	1	602709-75	602709-100	602710-75	602710-100	602711-75
28	Slip Ring Bracket & Stud Assy	1	602696-1-35	602696-1-35	602696-1-35	602696-1-35	602696-1-35
29	Split Lock Washer	1	902016	902016	902016	902016	902016
30	Adapter Plate	1	261577	261577	261577	261577	261577
31	Spacing Washer	1	262422	262422	262422	262422	262422
32	Collector Ring Cover	1	262938	262938	262938	262938	262938
	Voltage		125	125	125	125	125
	AMPS		15	15	20	20	20

Item #	Description	# Req'd	L 70100 123 3B	L 70075 123 7	L 70100 123 7	L 70075 123 7A	L 70100 123 7A
1	Snap Ring	5	300007	300007	300007	300007	300007
2	Lock Nut	2	261650-1	261650-1	261650-1	261650-1	261650-1
3	U-Bolt	1	3-117440	3-117440	3-117440	3-117440	3-117440
4	Nyloc Nut	21	S82-15	S82-15	S82-15	S82-15	S82-15
5	Latch Pawl Assembly	1	S602694	S602694	S602694	S602694	S602694
6	Set Screw	1	S35-84	S35-84	S35-84	S35-84	S35-84
7	Inlet Cord Assembly	1	602716	602715	602715	602716	602716
8	Strain Relief	1	261082	261082	261082	261082	261082
9	Pipe Fitting 90 Deg. Elbow	1	S159-14	S159-14	S159-14	S159-14	S159-14
10	Conduit Box Cover	1	None	None	None	None	None
11	Conduit Box	1	None	None	None	None	None
12	Lock Nut	4	300107	300107	300107	300107	300107
13	Bumper Stop Assembly	1	1-HR1004	1-HR1004	1-HR1004	1-HR1004	1-HR1004
14	Guide Arm & Roller Assy	1	S602697	S602697	S602697	S602697	S602697
15	Main Shaft	1	262947	262947	262947	262947	262947
16	Containerized Drive Spring	1	602718-80	602718-80	602718-80	602718-80	602718-80
17	Spring Arbor	1	261275	261275	261275	261275	261275
18	Arbor Key	1	261274	261274	261274	261274	261274
19	Strain Relief	1	260697-R	260697-R	260697-R	260697-R	260697-R
20	Spool & Hub Assembly	1	602703	602703	602703	602703	602703
21	Snap Ring	1	S140-13	S140-13	S140-13	S140-13	S140-13
22	Collector Ring Assembly	1	602296	602296	602296	602296	602296
23	Hex Lock Nut	3	S300011	S300011	S300011	S300011	S300011
24	Cable Clamp	1	262371-1	262371-1	262371-1	262371-1	262371-1
25	Grounding Cord Assembly	1	600283	600283	600283	600283	600283
26	Terminal Block Assembly	1	600205	600205	600205	600205	600205
27	Outlet Cord Assembly	1	602711-100	602332-75	602332-100	602333-75	602333-100
28	Slip Ring Bracket & Stud Assy	1	602696-1-35	602696-1-35	602696-1-35	602696-1-35	602696-1-35
29	Split Lock Washer	1	902016	902016	902016	902016	902016
30	Adapter Plate	1	261577	261577	261577	261577	261577
31	Spacing Washer	1	262422	262422	262422	262422	262422
32	Collector Ring Cover	1	262938	262938	262938	262938	262938
	Voltage		125	125	125	125	125
	AMPS		20	15	15	20	20



## Series L 70000 Spring Driven Cord Reels

Item #	Description	# Req'd	L 70075 123 9	L 70100 123 9	L 70075 123 9G	L 70100 123 9G	L 70075 123 X
1	Snap Ring	5	300007	300007	300007	300007	300007
2	Lock Nut	2	261650-1	261650-1	261650-1	261650-1	261650-1
3	U-Bolt	1	3-117440	3-117440	3-117440	3-117440	3-117440
4	Nyloc Nut	21	S82-15	S82-15	S82-15	S82-15	S82-15
5	Latch Pawl Assembly	1	S602694	S602694	S602694	S602694	S602694
6	Set Screw	1	S35-84	S35-84	S35-84	S35-84	S35-84
7	Inlet Cord Assembly	1	602714	602714	602714	602714	262958
8	Strain Relief	1	261082	261082	261082	261082	261082
9	Pipe Fitting 90 Deg. Elbow	1	S159-14	S159-14	S159-14	S159-14	None
10	Conduit Box Cover	1	None	None	None	None	262294
11	Conduit Box	1	None	None	None	None	262293
12	Lock Nut	4	300107	300107	300107	300107	300107
13	Bumper Stop Assembly	1	1-HR1004	1-HR1004	1-HR1004	1-HR1004	1-HR1004
14	Guide Arm & Roller Assy	1	S602697	S602697	S602697	S602697	S602697
15	Main Shaft	1	262947	262947	262947	262947	262947
16	Containerized Drive Spring	1	602718-80	602718-80	602718-80	602718-80	602718-80
17	Spring Arbor	1	261275	261275	261275	261275	261275
18	Arbor Key	1	261274	261274	261274	261274	261274
19	Strain Relief	1	260697-R	260697-R	260697-R	260697-R	260697-R
20	Spool & Hub Assembly	1	602703	602703	602703	602703	602703
21	Snap Ring	1	S140-13	S140-13	S140-13	S140-13	S140-13
22	Collector Ring Assembly	1	602296	602296	602296	602296	602296
23	Hex Lock Nut	3	S300011	S300011	S300011	S300011	S300011
24	Cable Clamp	1	262371-1	262371-1	262371-1	262371-1	262371-1
25	Grounding Cord Assembly	1	600283	600283	600283	600283	600283
26	Terminal Block Assembly	1	600205	600205	600205	600205	600205
27	Outlet Cord Assembly	1	602712-75	602712-100	602713-75	602713-100	602707-75
28	Slip Ring Bracket & Stud Assy	1	602696-1-35	602696-1-35	602696-1-35	602696-1-35	602696-1-35
29	Split Lock Washer	1	902016	902016	902016	902016	902016
30	Adapter Plate	1	261577	261577	261577	261577	261577
31	Spacing Washer	1	262422	262422	262422	262422	262422
32	Collector Ring Cover	1	262938	262938	262938	262938	262938
	Voltage		125	125	125	125	125
	AMPS		15	15	15	15	20

Item #	Description	# Req'd	L 70075	L 70100 123 X	L 70100	L 70100 124 X	L 70100 124
1	Snap Ring	5	300007	300007	300007	300007	300007
2	Lock Nut	2	261650-1	261650-1	261650-1	261650-1	261650-1
3	U-Bolt	1	3-117440	3-117440	3-117440	3-117440	3-117440
4	Nyloc Nut	21	S82-15	S82-15	S82-15	S82-15	S82-15
5	Latch Pawl Assembly	1	S602694	S602694	S602694	S602694	S602694
6	Set Screw	1	S35-84	S35-84	S35-84	S35-84	S35-84
7	Inlet Cord Assembly	1	262958	262958	262958	262966	262966
8	Strain Relief	1	261082	261082	261082	261082	261082
9	Pipe Fitting 90 Deg. Elbow	1	None	None	None	None	None
10	Conduit Box Cover	1	262294	262294	262294	262294	262294
11	Conduit Box	1	262293	262293	262293	262293	262293
12	Lock Nut	4	300107	300107	300107	300107	300107
13	Bumper Stop Assembly	1	1-HR1004	1-HR1004	1-HR1004	1-HR1004	1-HR1004
14	Guide Arm & Roller Assy	1	S602697	S602697	S602697	S602697	S602697
15	Main Shaft	1	262947	262947	262947	262947	262947
16	Containerized Drive Spring	1	602718-80	602718-80	602718-80	602718-80	602718-80
17	Spring Arbor	1	261275	261275	261275	261275	261275
18	Arbor Key	1	261274	261274	261274	261274	261274
19	Strain Relief	1	260697-R	260697-R	260697-R	260697-R	260697-R
20	Spool & Hub Assembly	1	602703	602703	602703	602703	602703
21	Snap Ring	1	S140-13	S140-13	S140-13	S140-13	S140-13
22	Collector Ring Assembly	1	602296	602296	602296	602297	602297
23	Hex Lock Nut	3	S300011	S300011	S300011	S300011	S300011
24	Cable Clamp	1	262371-1	262371-1	262371-1	262371-1	262371-1
25	Grounding Cord Assembly	1	600283	600283	600283	600283	600283
26	Terminal Block Assembly	1	600205	600205	600205	600280	600280
27	Outlet Cord Assembly	1	None	602707-100	None	602475-100	None
28	Slip Ring Bracket & Stud Assy	1	602696-1-35	602696-1-35	602696-1-35	602696-2-35	602696-2-35
29	Split Lock Washer	1	902016	902016	902016	902016	902016
30	Adapter Plate	1	261577	261577	261577	261577	261577
31	Spacing Washer	1	262422	262422	262422	262422	262422
32	Collector Ring Cover	1	262938	262938	262938	262938	262938
	Voltage		125	125	125	600	600
	AMPS		20	20	20	16	16