
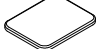
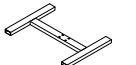
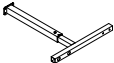












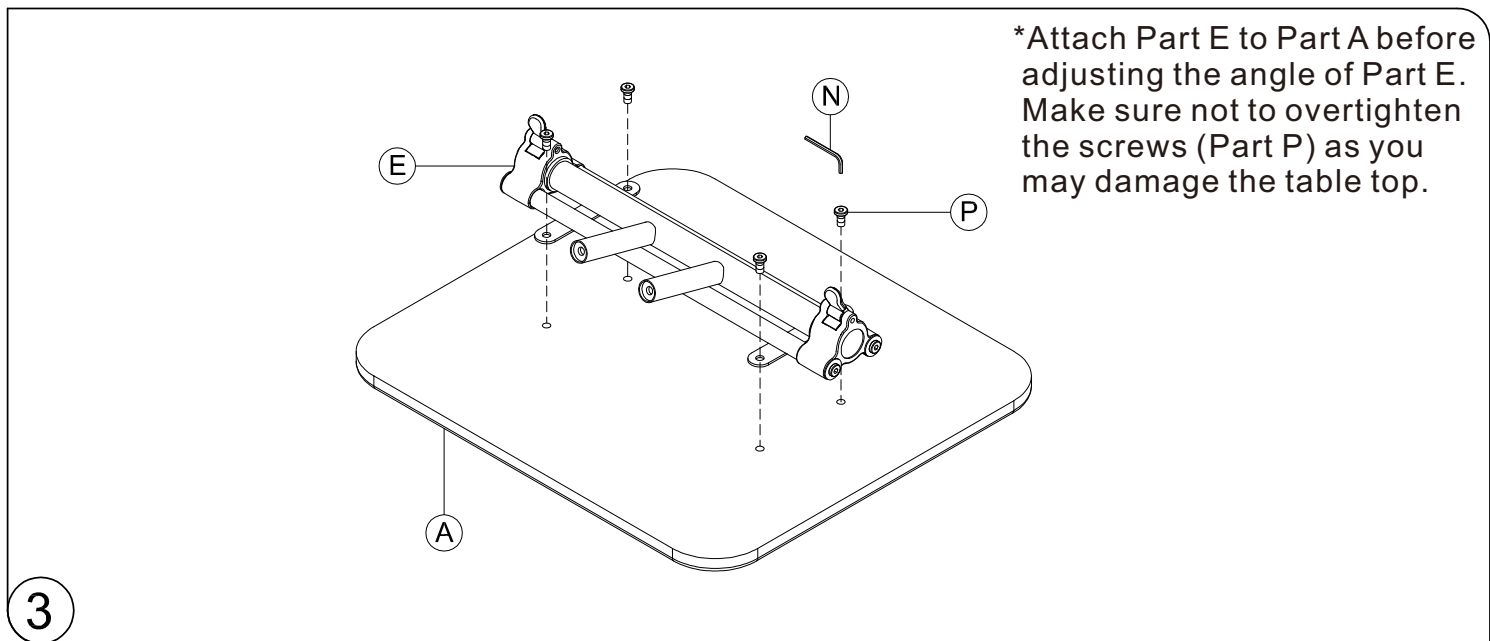
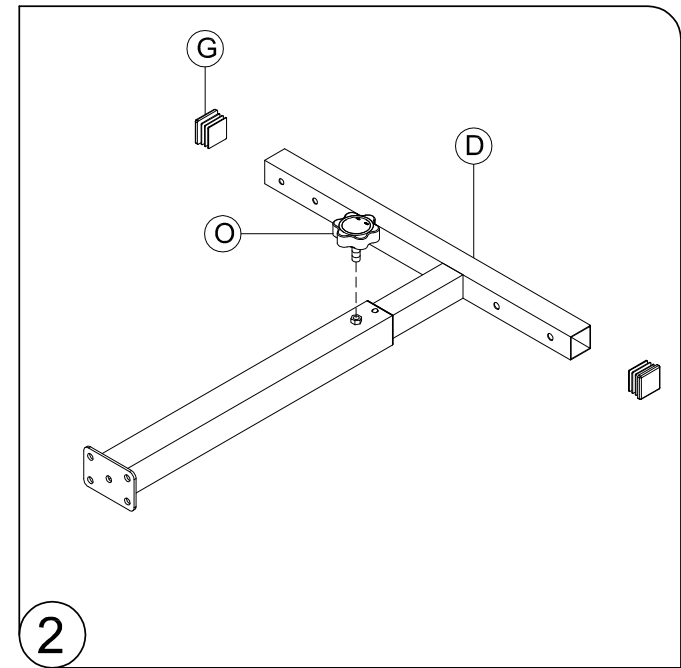
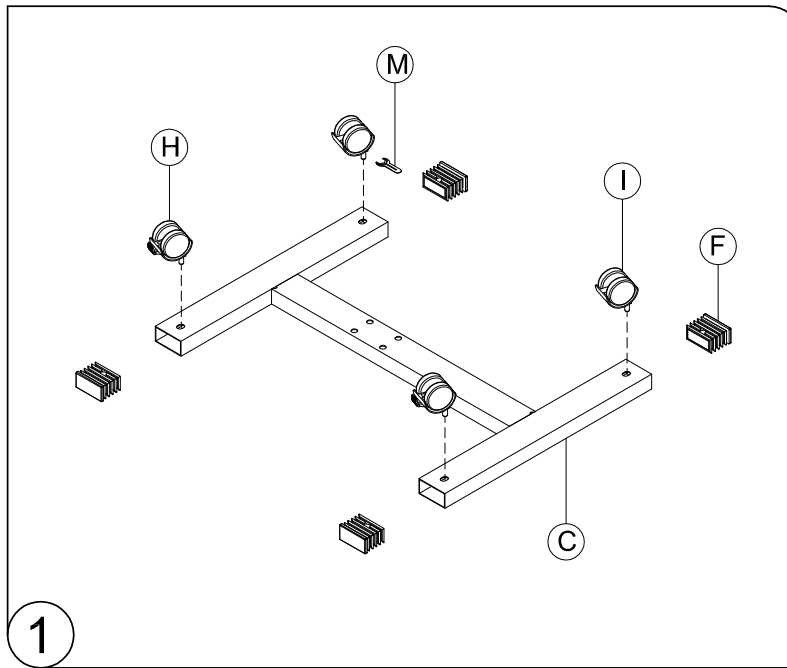


# Mobile Laptop Desk Cart with Side Table (WEB234)

No.	Part	Pcs
A		1
B		1
C		1
D		1
E		1
F		4
G		2
H		2
I		2
J		4
K		2
L		4
M		1
N		2
O		1
P		6



\*Attach Part E to Part A before adjusting the angle of Part E. Make sure not to overtighten the screws (Part P) as you may damage the table top.

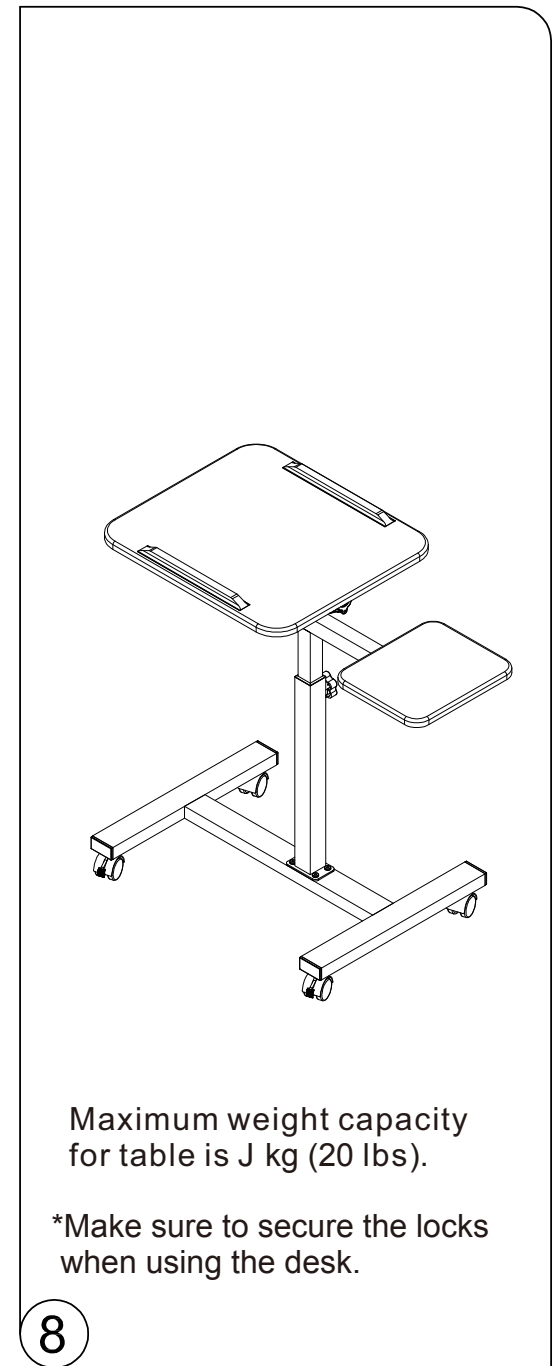
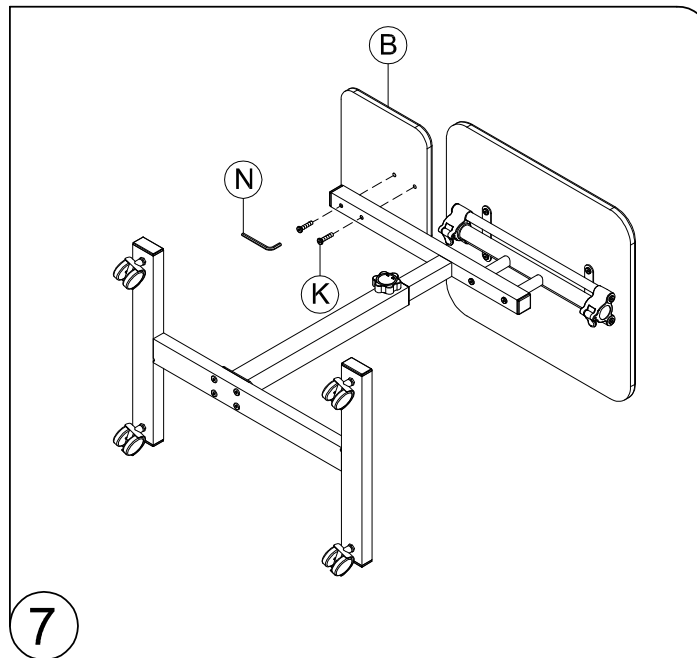
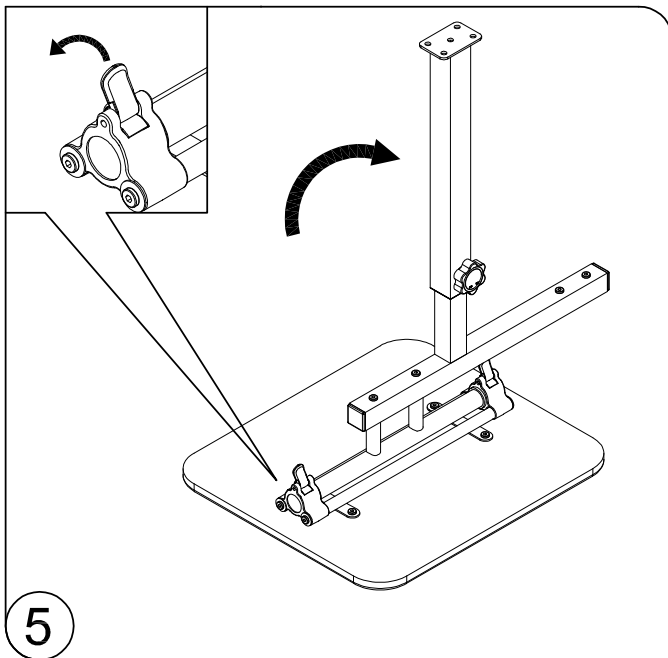
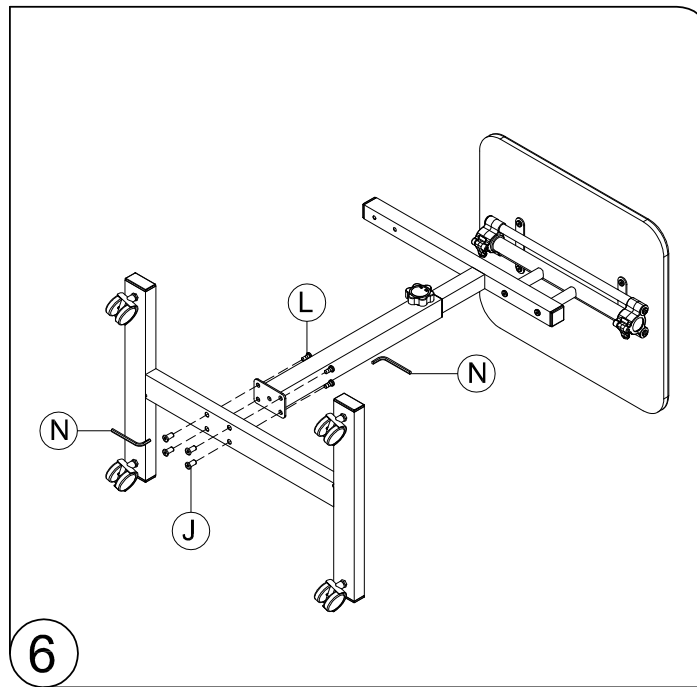
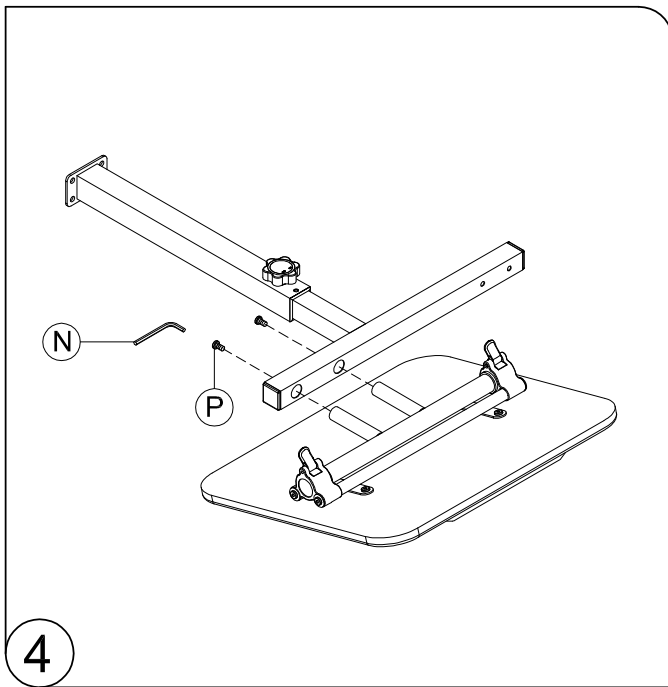
Please make sure you have all the parts on the list.

Read and save these instructions.



Seville Classics  
Torrance, CA 90501 USA  
[www.sevilleclassics.com](http://www.sevilleclassics.com)

© 2016 Seville Classics, Inc.



Maximum weight capacity for table is J kg (20 lbs).

\*Make sure to secure the locks when using the desk.

\*Open the locks on Part E to adjust the angle of the table top.