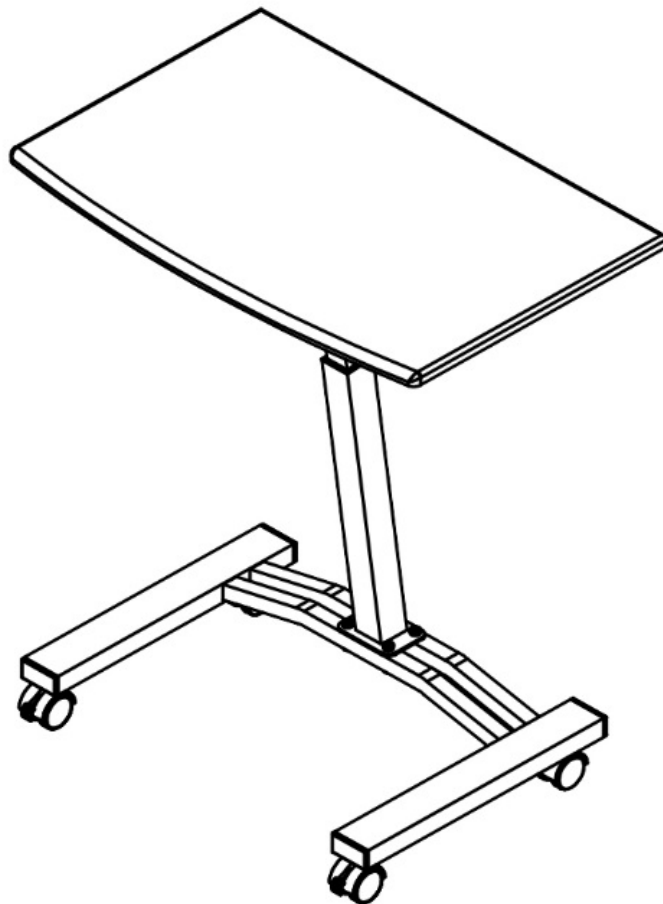


seville classics®

Mobile Laptop Desk Cart



Model #: WEB162


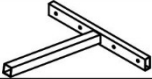
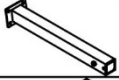












Thank you for choosing Seville Classics! We hope that you enjoy your new desk cart. Please read through this user guide for assembly instructions, parts list, frequently asked questions and further contact information.

Seville Classics
Torrance, CA 90501 USA
www.sevilleclassics.com



WEB162_02092017

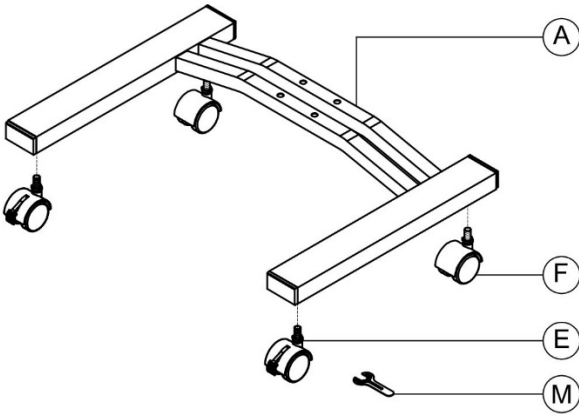
Parts List

	Part
A. Base Frame (1)	
B. T-bar (1)	
C. Neck Frame (1)	
D. Top (1)	
E. Locking Caster (2)	
F. Caster (2)	
G. T-bar Cap (2)	
H. Nut (4)	
I. Crush Washer (4)	
J. Screw (8)	
K. Washer (4)	
L. Tension Knob (1)	
M. 12 mm Wrench (1)	
N. 11 mm Wrench (1)	
O. Allen Key (1)	

Please make sure you have all the parts on this list.

If you're missing parts, contact us for replacements at (800) 323-5565 or send an email to Support@SevilleClassics.com

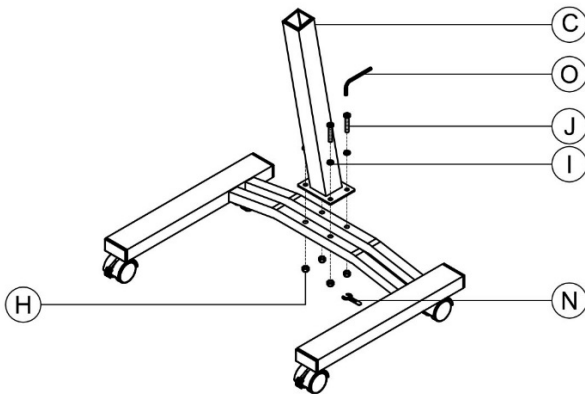
Assembly



Step 1. Assemble Base

Tool required: 12 mm wrench (M)

Screw the stem of the casters (F) into the base by hand. Install the locking casters (E) on the open end of the base (A). Tighten until snug with 12 mm wrench (M)

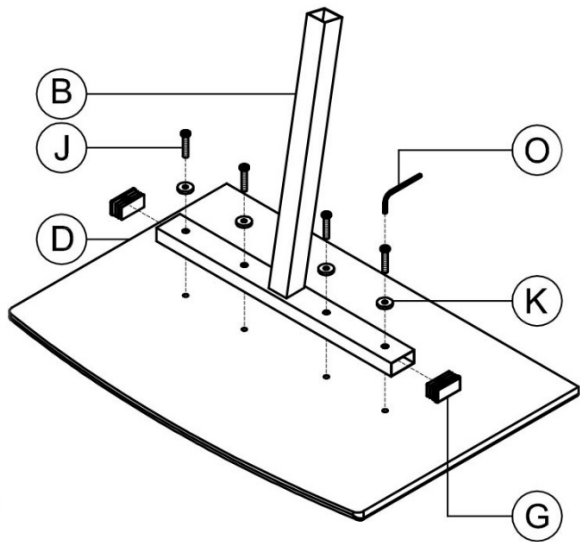


Step 2. Install Neck Frame

Tools required: Allen key (O), 11 mm wrench (N)

Mount the neck frame (C) to the base assembly. Secure the screws (J) with the Allen wrench (O) and tighten the nuts (H) with the open-end 11 mm wrench (N).

IMPORTANT: Make sure the neck frame is angled toward the OPENING of the base



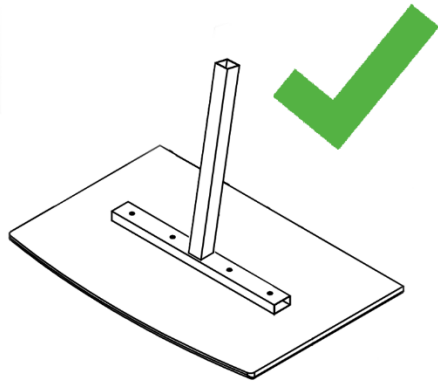
Step 3. Assemble Top

Tool required: Allen key (O)

Firmly press the T-bar caps (G) into either end of the T-bar (B). Install screws (J) with washers (K) through the T-bar into the table top using the Allen key (O)

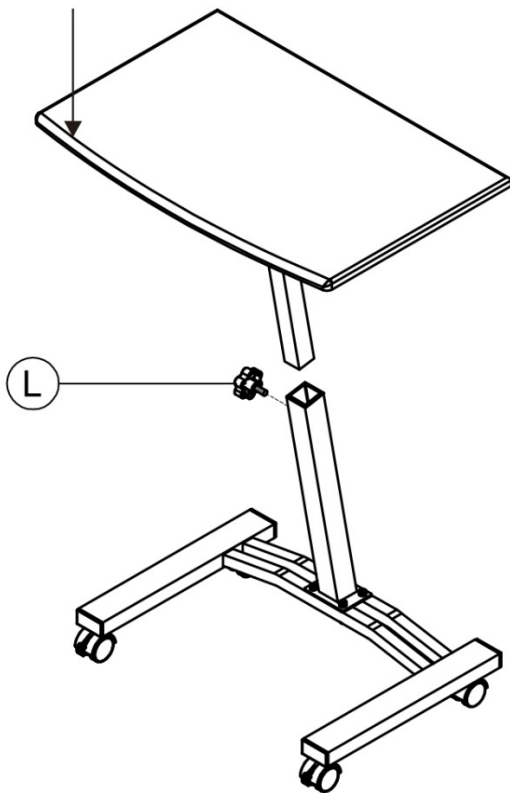
IMPORTANT: Make sure the T-bar is angled AWAY from the curve

Correct

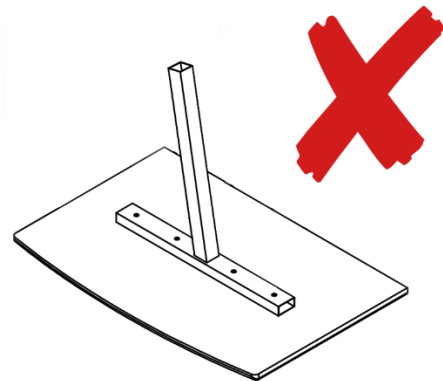


When installed correctly, the T-bar should point away from the curved table edge

Curve must face front



Incorrect



If T-bar is angled toward the curved edge, the installation is backwards and will slant

Step 4. Install Top

Insert assembled top into frame neck with curved edge facing toward user. Install tension knob (L) to secure height.

IMPORTANT: Tighten the locking screw against the T-bar to prevent the desk from moving up and down by turning the tension knob (L) clockwise until snug. Turn counter-clockwise until loose to adjust desk height.

Step 5. Complete!

Congratulations! Your desk is ready to use.

IMPORTANT: If the desk top is slanted, remove it from assembly, rotate 180 degrees and reinsert.

Use Instructions

1. Roll desk into desired position.
2. Lock casters to prevent the table from rolling.
3. Turn the tension knob counter-clockwise to unlock height adjustment
4. Place hands on both sides of the top and pull up to lift; press down to lower the height
5. Turn tension knob clockwise until snug to secure the table height

FAQs

Q: My table top is slanted when I install it into the base, help!

A: Pull the table top assembly from the base on the desk, rotate it 180 degrees and reinsert it. If the straight edge of the desk is faces the base opening while the table is flat, the T-bar is installed incorrectly.

Q. Can I use it without the wheels?

A. Sure! Leave the wheels off to use directly on the floor. This works well on carpeted surfaces and near furniture with low floor clearance. Be careful! The base is steel and can scratch flooring when used without wheels.

Q: Can I use as a sit-stand workstation?

A: Yes, but the table only rises to 33 inches—about the average height of a normal desk. Seville Classics offers a different Sit-Stand Desk Cart /w Side Table (model #: WEB234) that lifts up to a full 40 inches.

Safety

Do not tip the cart over or place upside down

Do not place more than 15 lbs. on the desk top

Customer Service Information

Telephone: (800) 323-5565

Email: Support@SevilleClassics.com

Fax: (310) 533-3899

Homepage: <http://www.SevilleClassics.com>

Hours: 8:30 AM – 4:30 PM (PST)

Seville Classics
Torrance, CA 90501 USA
www.sevilleclassics.com



WEB162_02092017