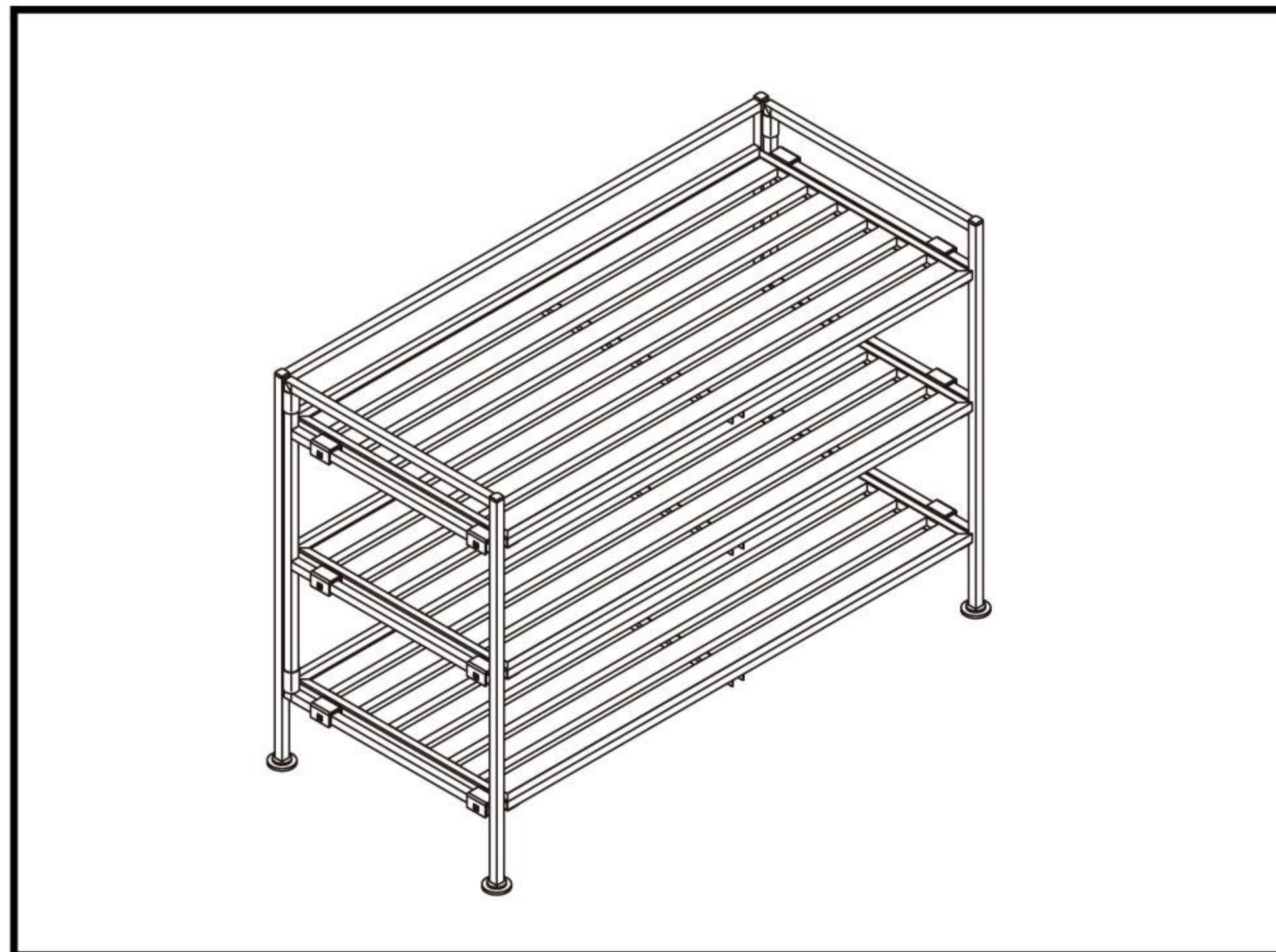


3-Tier Storage & Shoe Rack

Model NO. WEB177

26.5" x 12.2" x 19.1"
(67.3cm x 30.9cm x 48.5 cm)

Assembly Instructions



Torrance, CA 90501 USA

CUSTOMER SERVICE

Toll Free: 1-800-323-5565

8:30am - 4:30pm (Pacific Time)




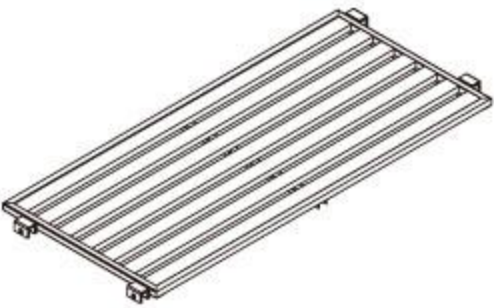

Monday through Friday

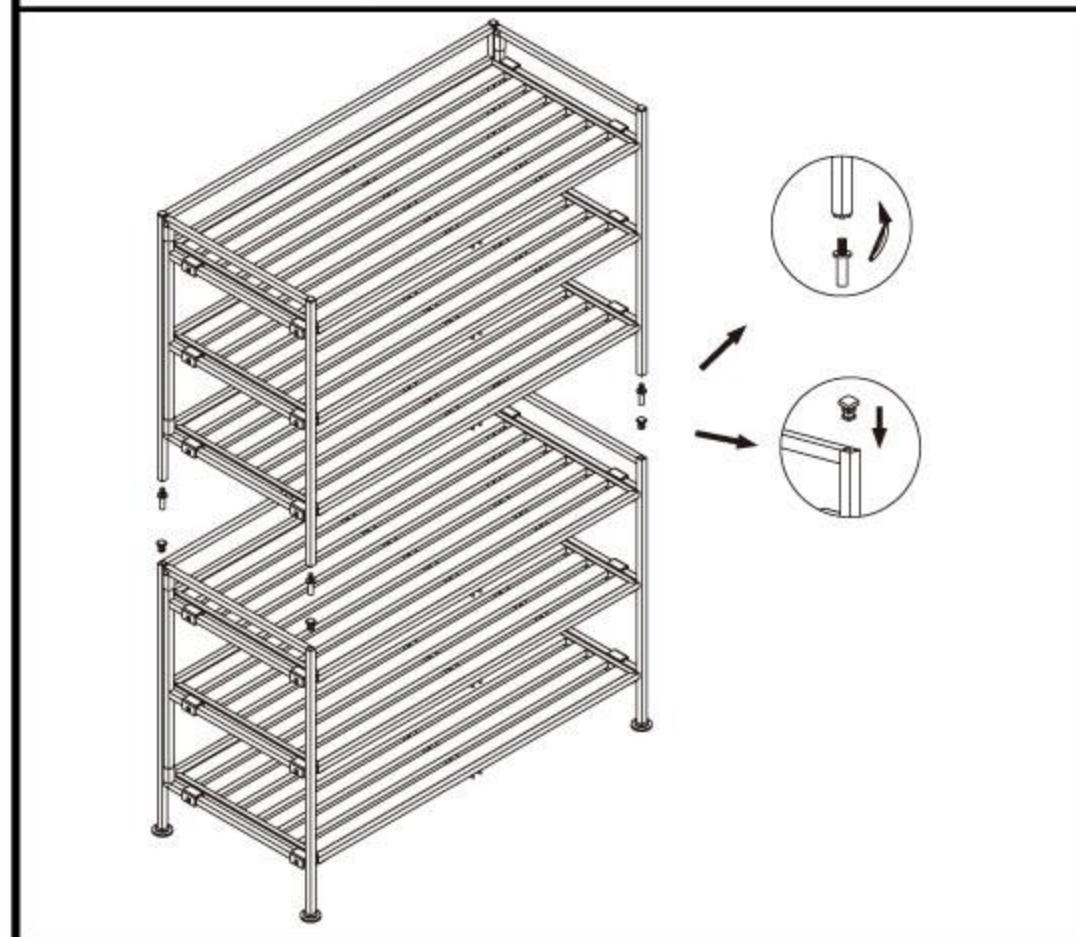
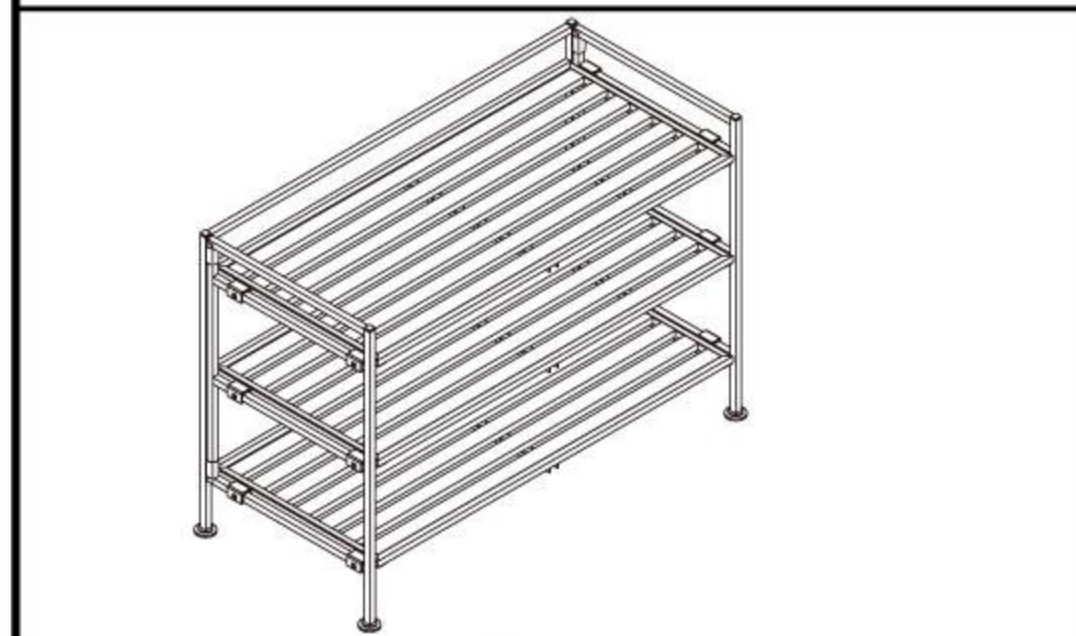
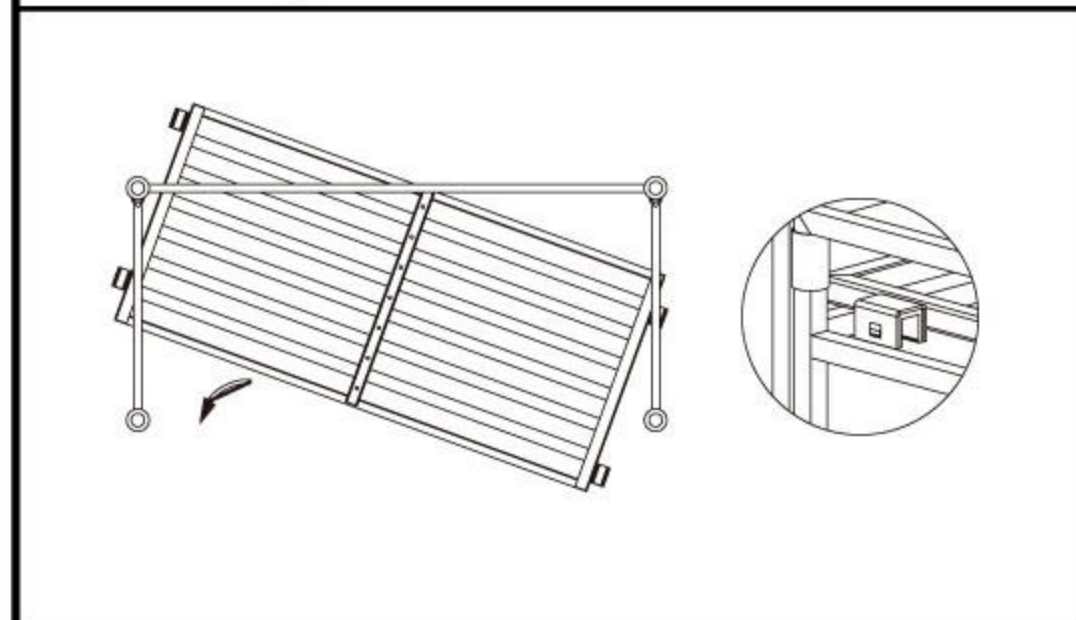
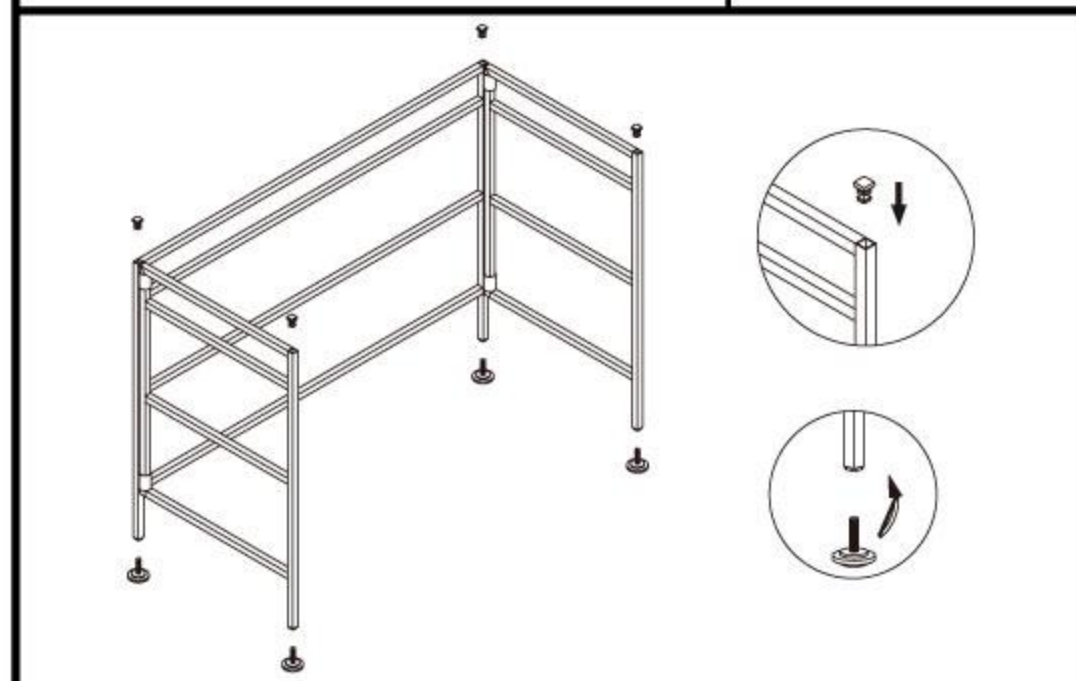
www.sevilleclassics.com

PLEASE READ AND SAVE THESE INSTRUCTIONS

Parts List:

3-Tier Storage & Shoe Rack-Assembly Instructions

| | | | | | | | | | |
|---|---|---|---|---|------|-------|------|-----------------|------|
|  |  |  |  |  | | | | | |
| A | 1pc | B | 4pcs | C | 4pcs | D | 3pcs | E | 4pcs |
| Iron Rack | | Leveling Feet | | Caps | | Shelf | | Connection Pins | |



Assembling the Rack

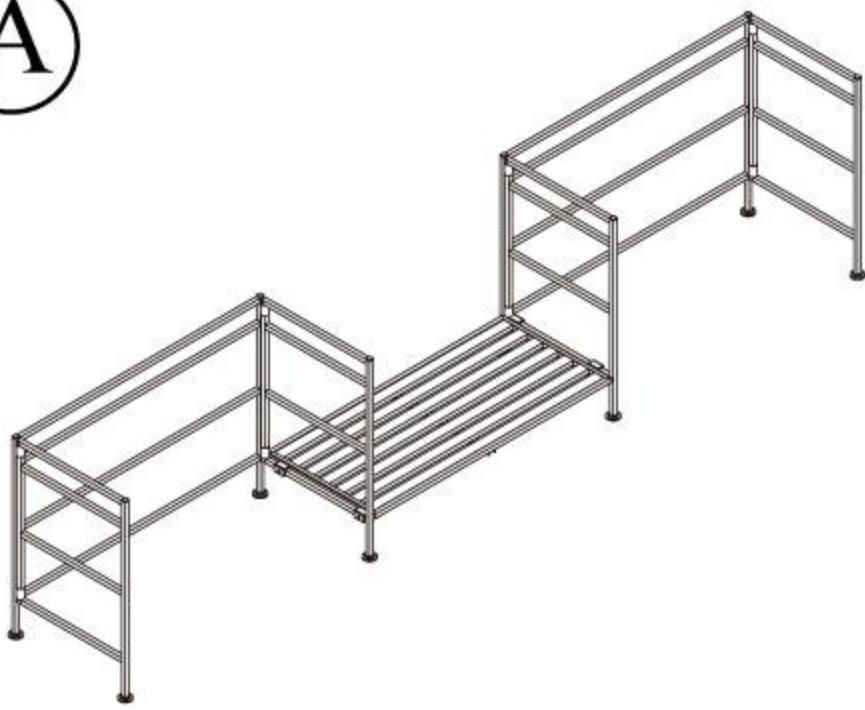
1. Unpack and remove all parts from the color box. Check components to see that all the parts are accounted for on the parts list.
2. Install the LEVELING FEET (B) by screwing them into the bottom of each of the four legs of the IRON RACK (A).
3. Install the CAPS (C) by inserting them into the holes on the top of each corner of the shoe rack. NOTE: If you have bought two units and want to stack them, then this step can be disregarded as these holes will be used for the CONNECTION PINS (E).
4. Place the unit upright, with the feet on the floor. Unfold the outer sides of the IRON RACK (A).
5. Slide bottom shelf in first at an angle (see diagram), then rotate shelf to correct position and press firmly down on each tab, making sure that they snap into place.
6. Repeat the same procedures as above for remaining shelves.
7. Once all shelves are firmly in place, adjust the leveling feet by screwing them in or out to obtain a level rack.
8. To fold the shoe rack back up, simply push up on each shelf until it pops out, and then slide the shelf up and out the front. Fold outer sides in.

Stacking the Rack

1. Build another rack following the instructions above. However, do not install the LEVELING FEET (B) on the second (top) unit.
2. Screw-in the CONNECTION PINS (E) in place of leveling feet on the top unit.
3. Remove the CAPS (C) from the original (base) rack.
4. Lift the top rack up and onto the original rack, lining up the pins with the holes at the four top corners so that they can be inserted into each other.
5. Be sure all is in alignment and then press down firmly on the top unit so that it fits tightly into and onto the original base unit.

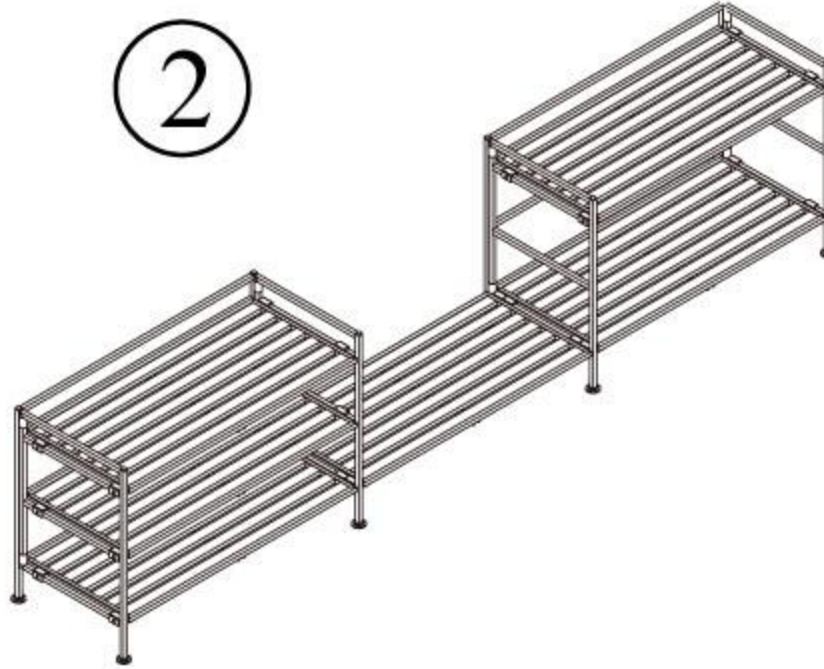
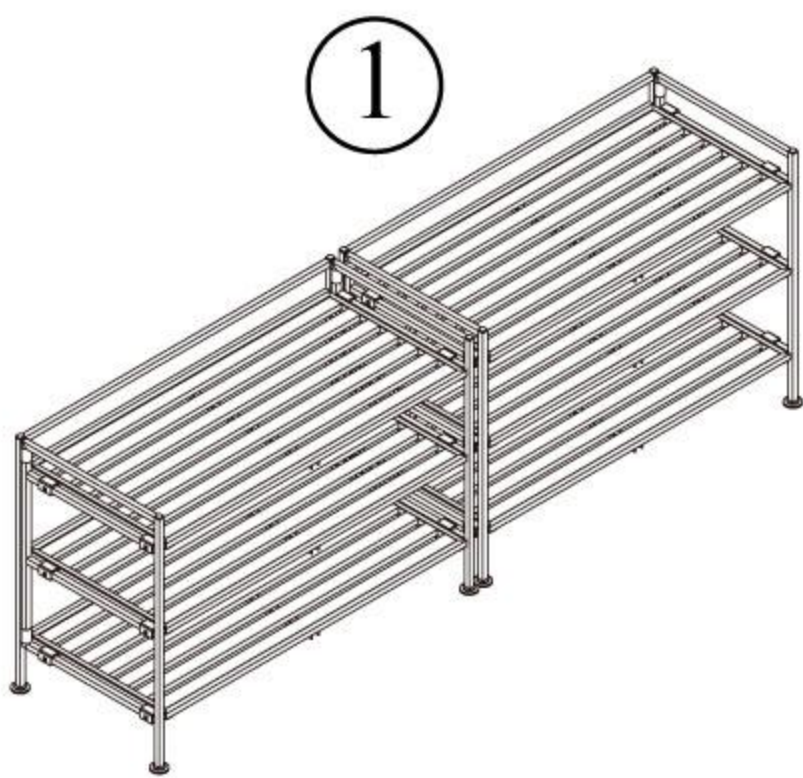
Build, Stack, Interlock, and Expand

Ⓐ



Interlock by attaching the shelves to any side bar of one rack to the corresponding side bar of another rack.

Ⓑ 2 UNIT / 6 Shelves

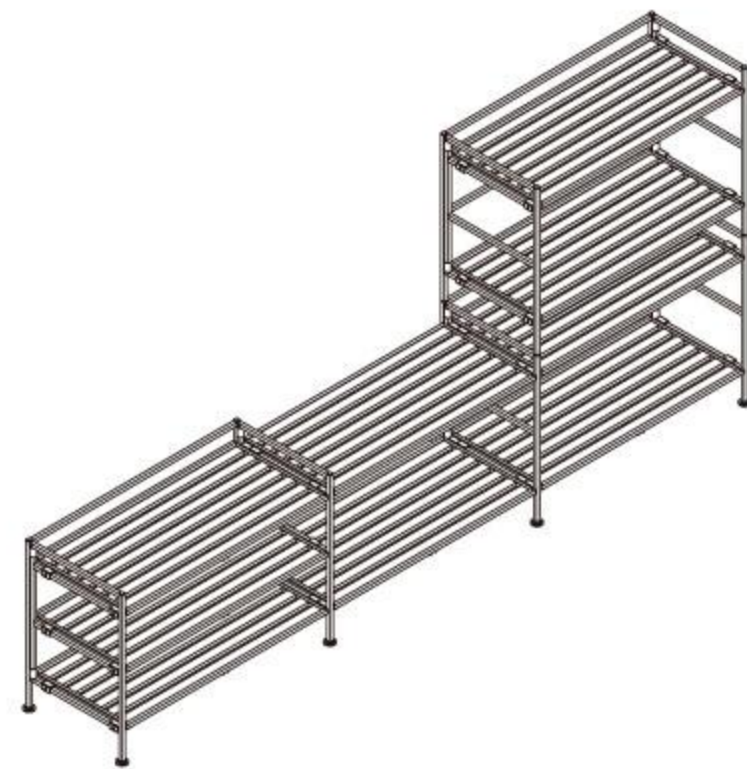


Ⓒ 3 UNIT / 9 Shelves

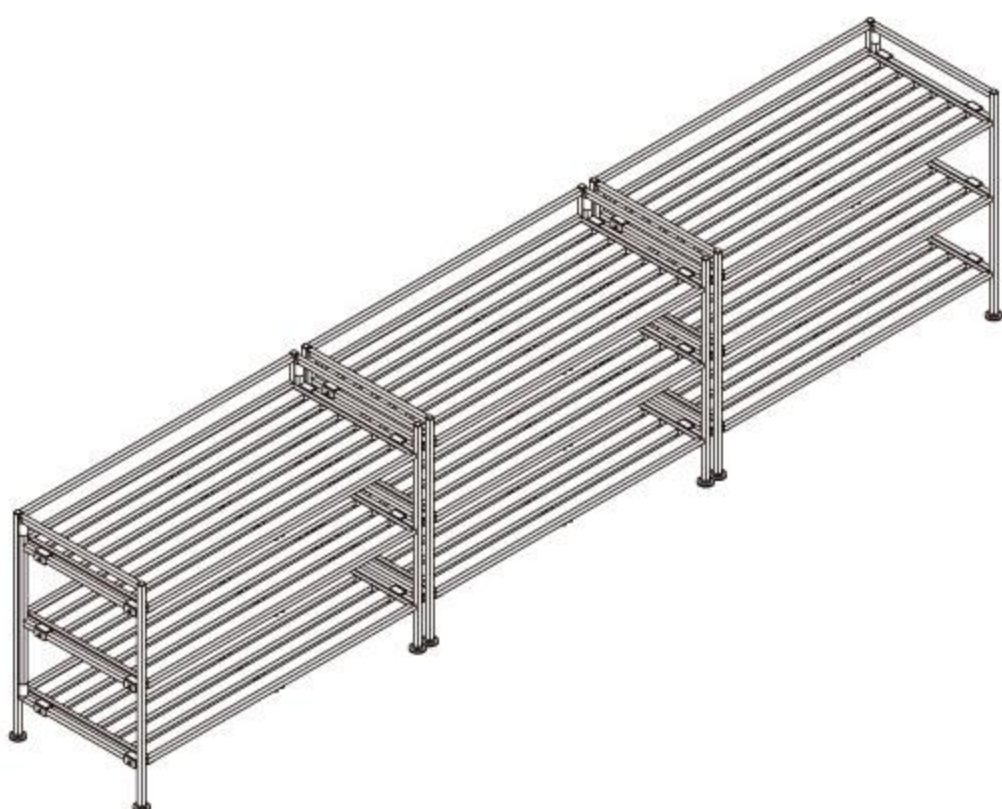
①



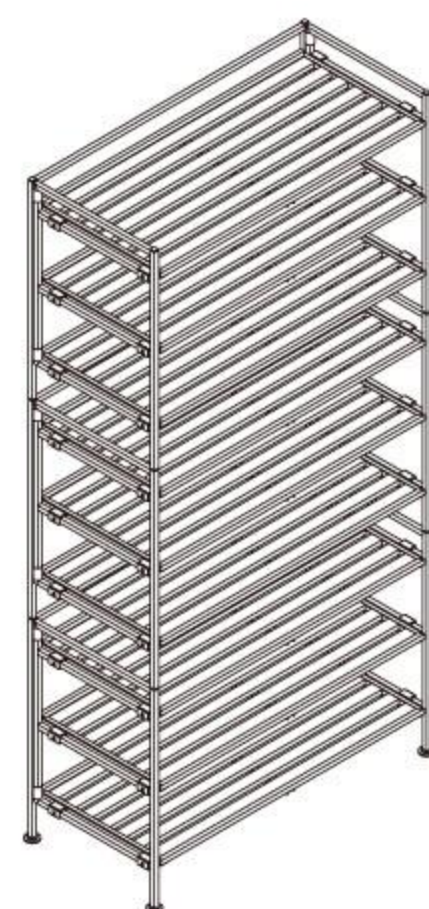
②



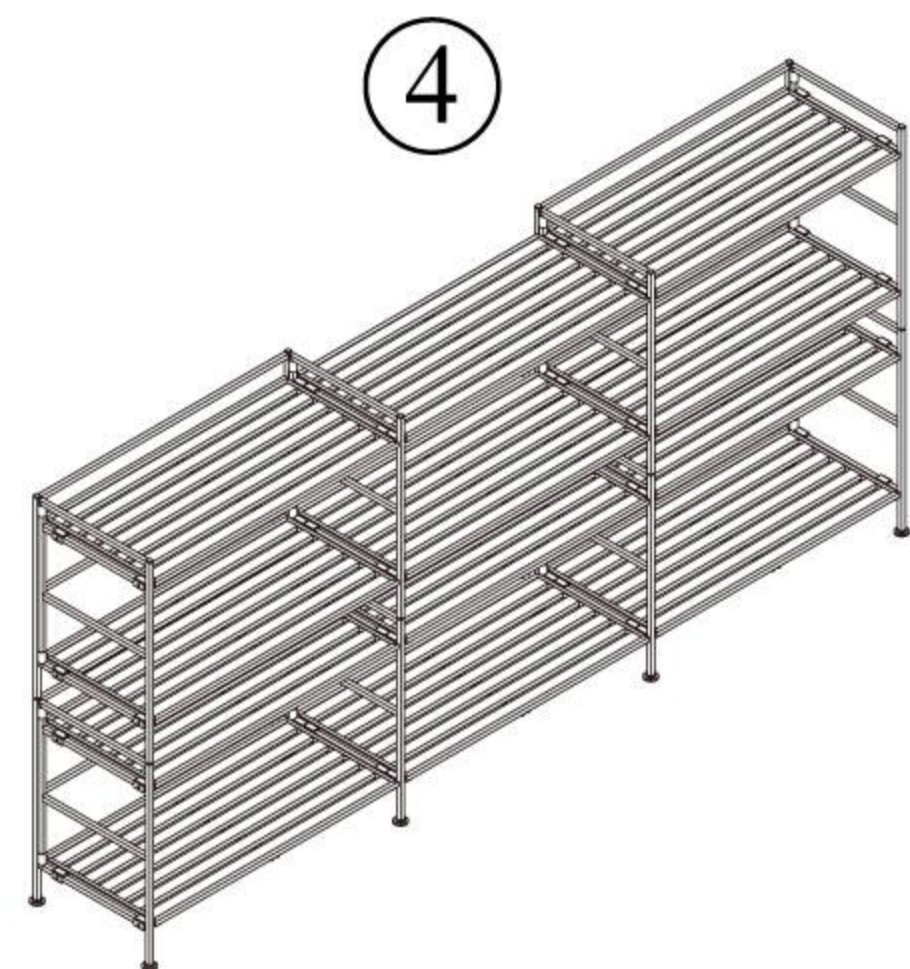
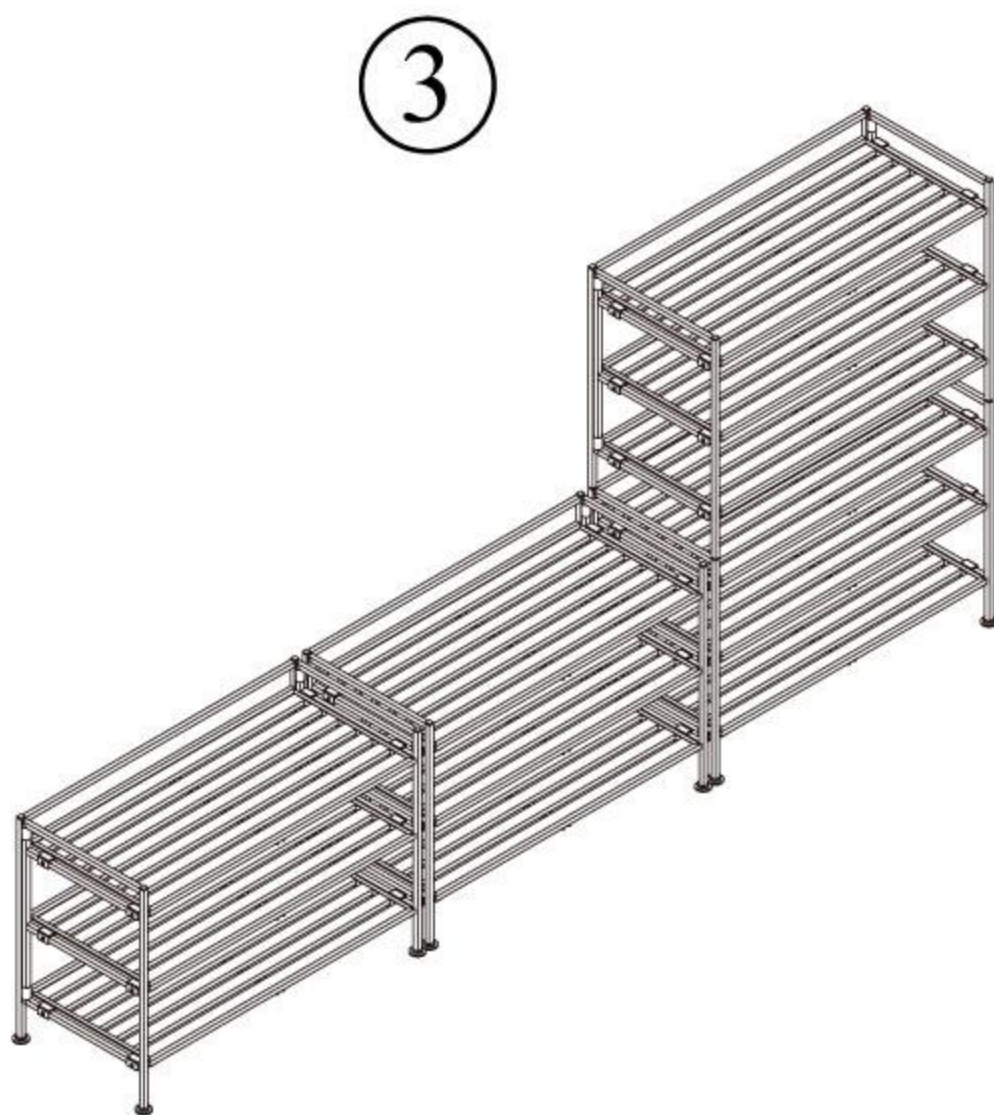
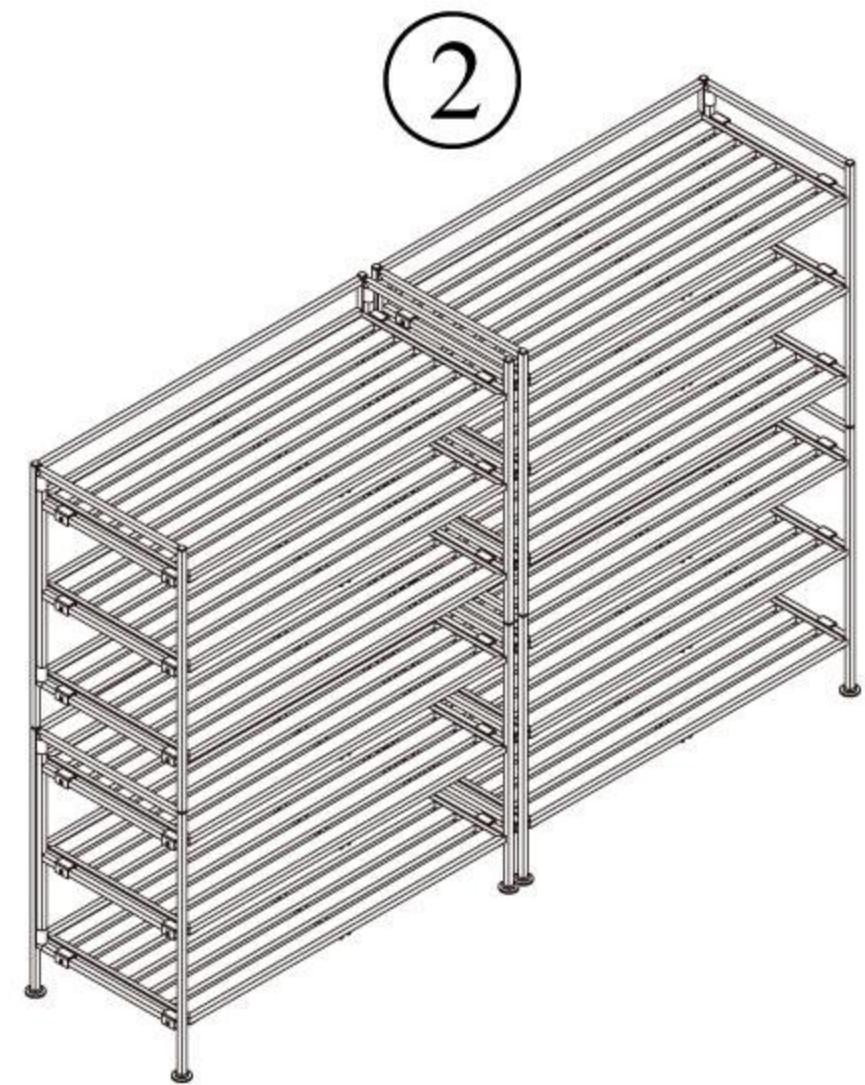
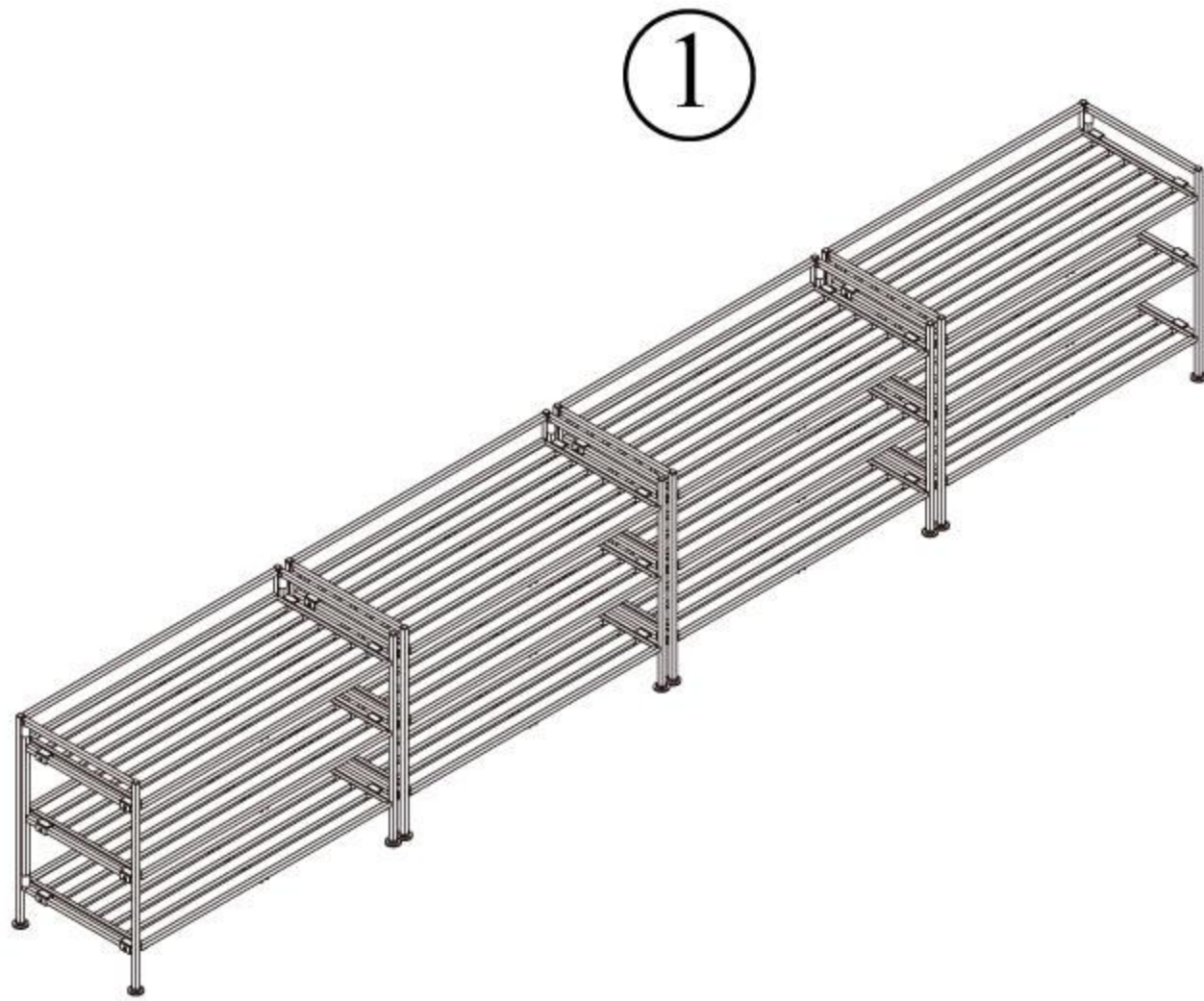
③



④



① 4 UNIT / 12 Shelves



Torrance, CA 90501 USA

CUSTOMER SERVICE

Toll Free: 1-800-323-5565

8:30am - 4:30pm (Pacific Time)

Monday through Friday

www.sevilleclassics.com