

SPEAKMAN®

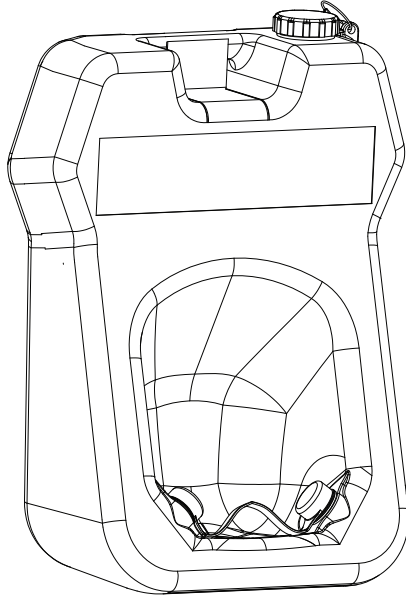
GravityFlo® Portable Eyewash

SE-4300
SE-4320

SE-4380

SPECIFICATION

SE-4300



MODELS:

- SE-4300: Gravityflo® portable eyewash
- SE-4320: Gravityflo® portable eyewash includes the SE-4920 side drench hose
- SE-4380: Gravityflo® portable eyewash includes SE-4360 transportation cart

FEATURES:

- 20 gallon capacity tank, high density molded polyethylene
- Molded plastic spray outlets
- Elastometric pull strap activator
- Shelf or wall mount (bracket included)
- Plastic fill cap with integral tamper prevention
- Integral ½ in. NHT fitting for attachment of SE-4920 drench hose
- Integral basin drain with 1/2 in. NHT fitting
- Integral eyewash sign included
- Unit exceeds the minimum 0.4 gpm for 15 minutes as stated by ANSI
- Universal emergency sign included

COMPLIANCE:

- Certified to ANSI/ISEA Z358.1

OPTIONS:

ADD SUFFIX TO MODEL #

- Side fitting drench hose with mounting hardware SE-4920
- Cart to transport SE-4300 series eyewashes SE-4360

WARRANTY:

- 3 year limited

SEE REVERSE FOR ROUGH-IN DIMENSIONS

THIS SPACE FOR ARCHITECT/ENGINEER APPROVAL.

SPEAKMAN®

400 ANCHOR MILL ROAD | NEW CASTLE, DE 19720
P: 800-537-2107 | F: 800-977-2747
WWW.SPEAKMANCOMPANY.COM

REVISION DATE: JULY 2014

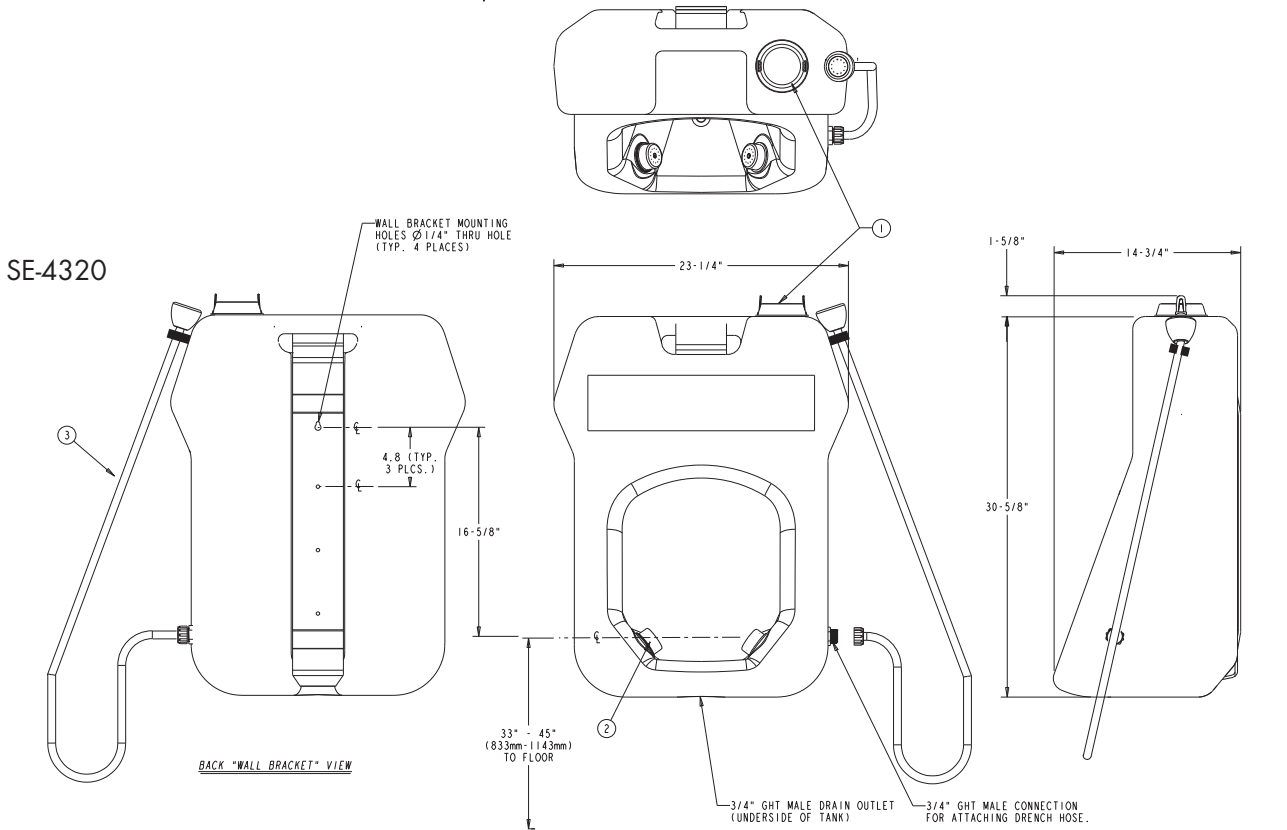
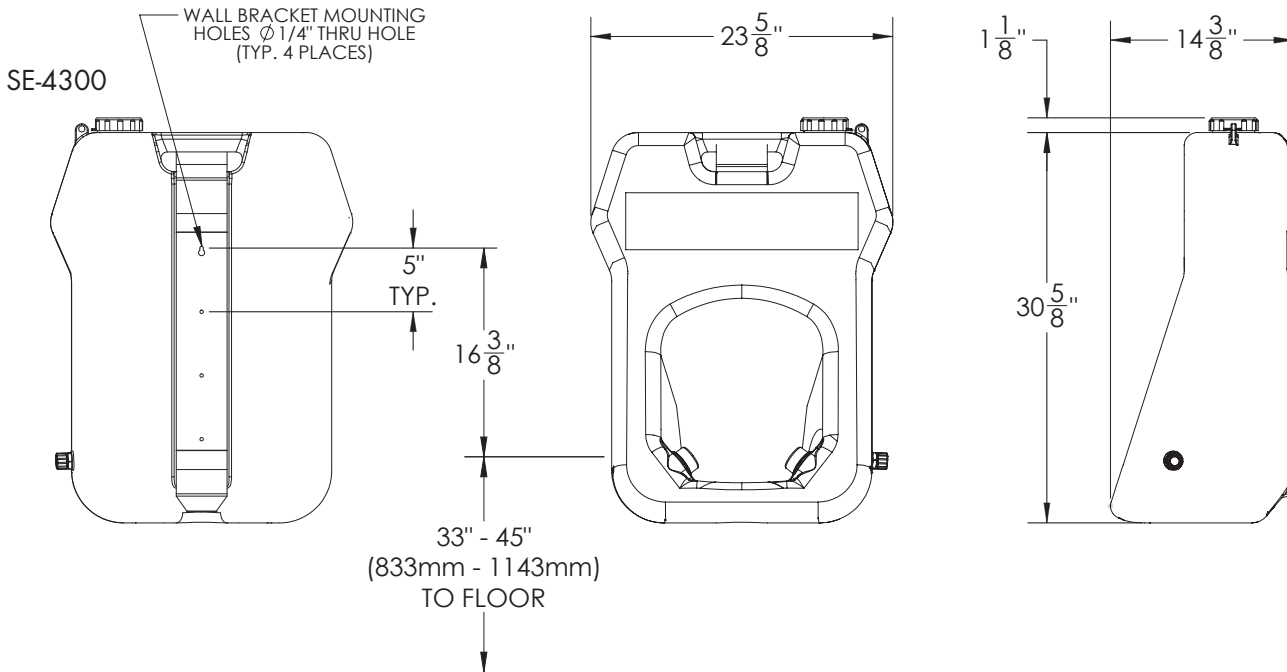


Management Systems
Registered to ISO 9001

SPEAKMAN®

GravityFlo® Portable Eyewash SE-4300

SPECIFICATION



NOTE: 1. All dimensions are in inches (millimeters) unless otherwise specified and are subject to change without notice.

THIS SPACE FOR ARCHITECT/ENGINEER APPROVAL.

SPEAKMAN®

400 ANCHOR MILL ROAD | NEW CASTLE, DE 19720
 P: 800-537-2107 | F: 800-977-2747
 WWW.SPEAKMANCOMPANY.COM



Management Systems
 Registered to ISO 9001

REVISION DATE: JULY 2014