

V-Loc® Mailbox Support Kits & Hardware

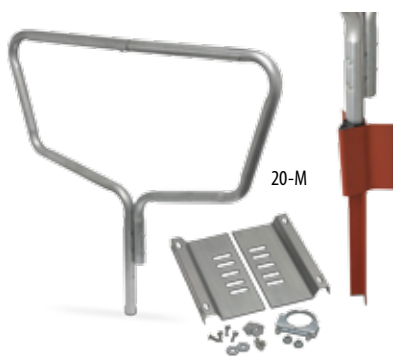
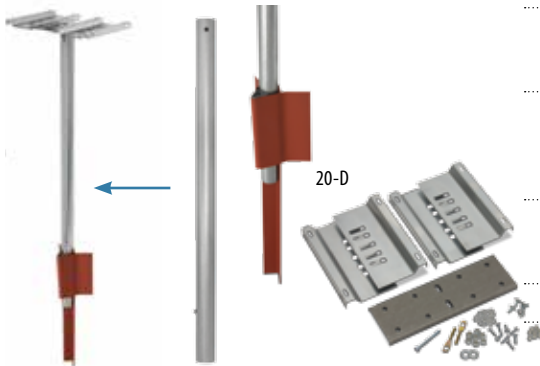
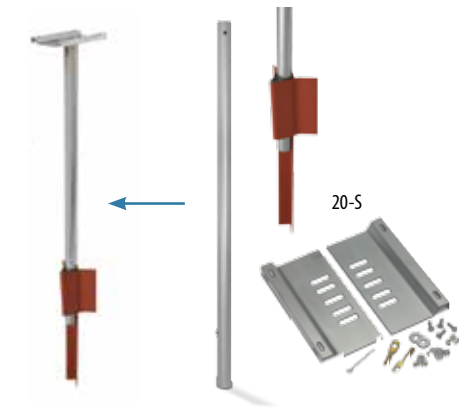
- Meets new 2013 breakaway regulations
- Custom sizes available
- Decorative breakaway options available
- Easy Installation
- Reusable V-Loc®
- Crash tested & approved
- AASHTO suggested

V-LOC® BREAKAWAY ANCHOR



V-Loc[®] Mailbox Support Kits & Hardware

Model Number	Weight (Lb.)	Outside Diameter (O.D.)	Leg Length (In.)	SKU Number
Models for 2" O.D. round posts, including V-Loc Mailbox Support Systems (wedge included)				
20-VR1	5.00	2	8	034-00040
20-VR3	14.80	2	30	034-00041
20-VR3B	15.70	2	30	034-00081



Model Number	Weight (Lb.)	Description	SKU Number
--------------	--------------	-------------	------------

Single Mailbox Kits & Hardware

20-S	24	Single Kit Includes: (1) 2" O.D. 14 gauge post, 48" height with tek screw (Tek screw prevents rotation of post), (1) 20-VR3 V-Loc [®] socket, (1) SW-1 wedge, (1) MBB-S single mailbox bracket for one, #1 standard or one #1A rural mailbox (sold separately).	034-00211
20-S2	26	Single Large Kit Includes: (1) 2" O.D. 14 gauge post, 48" height with Tek screw (Tek screw prevents rotation of post), (1) 20-VR3 V-Loc [®] socket with SW-1 wedge, (1) MBB-4 single mailbox bracket for one large #2, standard rural mailbox (sold separately).	034-00051
MBB-S	2.30	Single Mount Bracket #1 or #1A: Packaged with all parts and hardware to mount one #1 or #1A standard rural mailbox (sold separately) on a Model 20-S single mailbox support.	034-00044
MBB-4	3.50	Single Mount Bracket Large #2: Parts and hardware to mount one #2 large rural mailbox (sold separately) on any single support tube.	034-00047
20-ST	6.80	Steel Galvanized Tube: 2" O.D. x 48" long, 14 gauge	034-00042

Double Mailbox Kits & Hardware

20-D	26	Double Kit Includes: (1) 2" O.D. 14 gauge Post, 48" height with tek screw. (Tek screw prevents rotation of post), (1) 20-VR3 V-Loc [®] socket with SW-1 wedge, (1) MBB-D double mailbox bracket assembly, for two #1 standard or two #1A rural mailboxes (sold separately).	034-00212
MBB-D	4.50	Double Mount Bracket with instructions: Packaged with all parts and hardware to mount two #1 or #1A standard rural mailboxes (sold separately) on a Model 20-D double mailbox support.	034-00045
20-ST	6.80	Steel Galvanized Tube: 2" O.D. x 48" long, 14 gauge	034-00042

Multiple Mailbox Kits & Hardware

20-M	50	Multiple Kit Includes: (1) 20-VR3 V-Loc [®] socket with SW-1 wedge, (1) 2" O.D. 14 gauge formed post, 48" height, with tek screw, (Tek screw prevents rotation of post), (5) MBB-M mailbox bracket kits, to mount, five single #1 standard or four #1A rural mailboxes (sold separately).	034-00213
20-M2	54	Multiple Large Kit Includes: (1) 20-VR3 V-Loc [®] socket with SW-1 wedge, (1) 2" O.D. 14 gauge formed post, 48" height, with tek screw (Tek screw prevents rotation of post), (4) MBB-5 bracket kits for four large #2 standard rural mailboxes, 54 lb., Standard #1, #1A rural mailboxes and large #2 rural mailboxes (sold separately) can be intermixed on the multiple support.	034-00052
MBB-M	2.30	Multiple Mount Bracket for #1 or #1A Mailbox with instructions: Individually packaged with all parts and hardware to mount one #1 or #1A standard rural mailbox (sold separately) on Model 20 multiple mailbox support. The Model 20 multiple supports up to five #1 mailboxes or four #1A mailboxes (sold separately), MBB-M.	034-00046
MBB-5	3.60	Multiple Mount Bracket for a #2 mailbox with instructions: All parts and hardware to mount one #2 large rural mailbox on the V-Loc [®] multiple support. The V-Loc [®] multiple support will accommodate up to 4 MBB-5 bracket kits.	034-00048
20-MT	23.80	Steel Galvanized Tube: 2" x 14 gauge, formed	034-00043

