

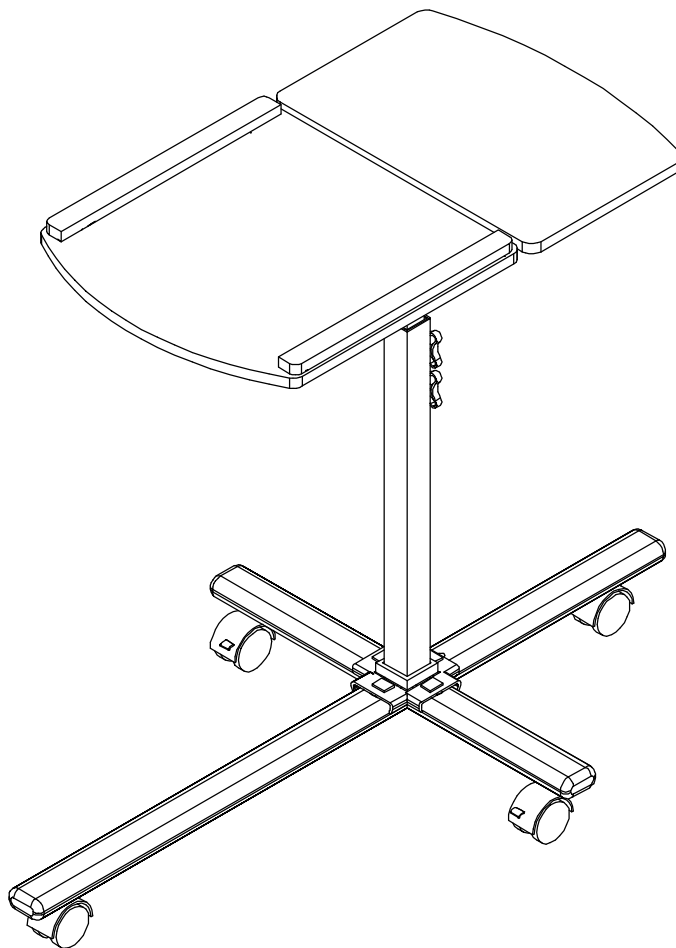
ASSEMBLY INSTRUCTION

MODEL RTA-B003

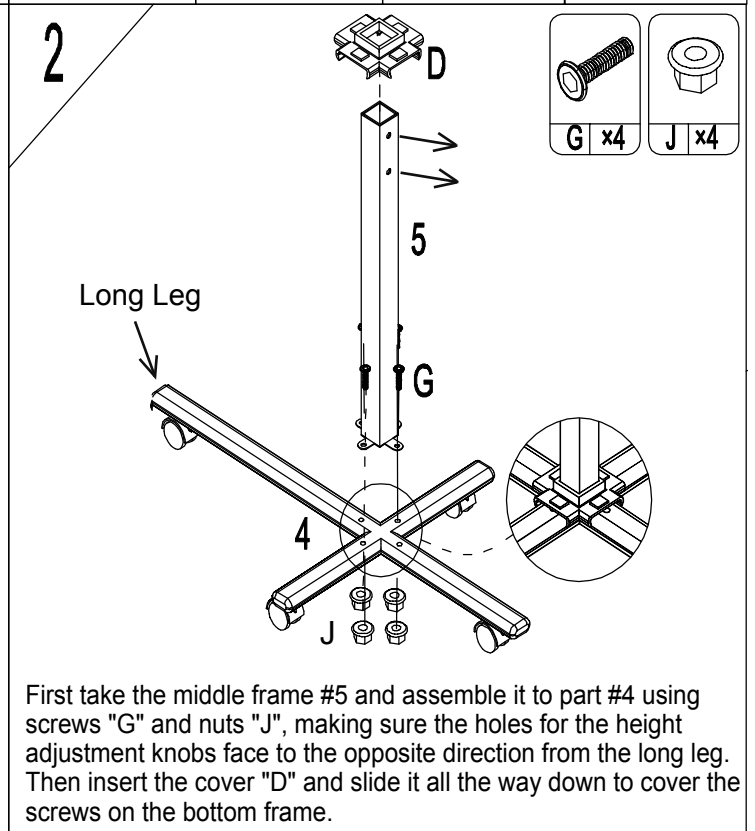
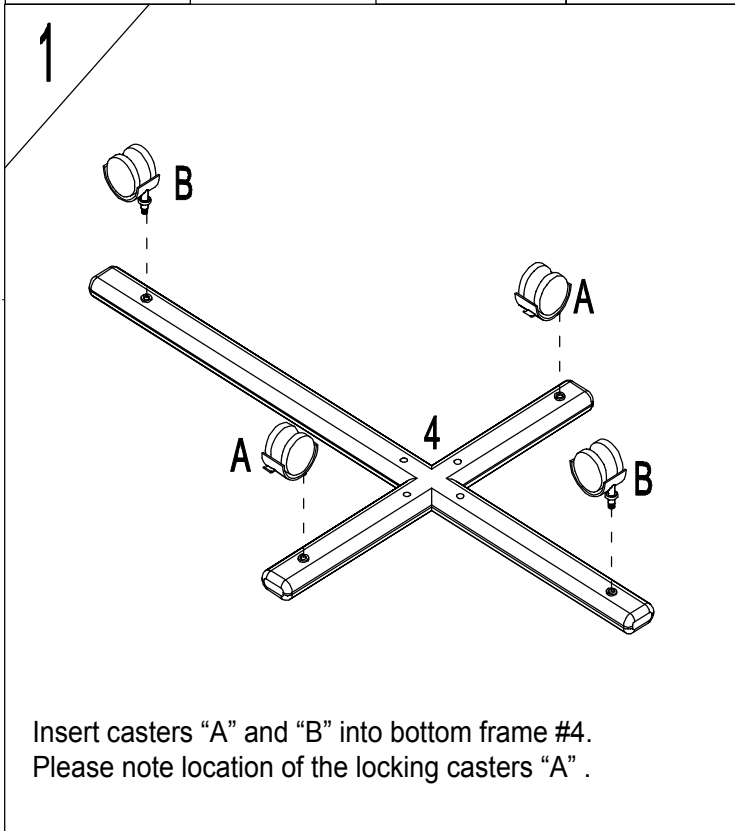
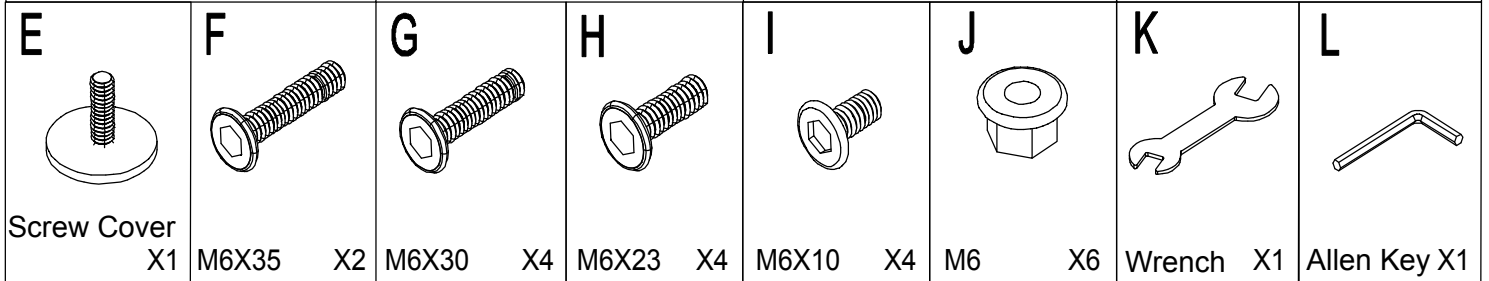
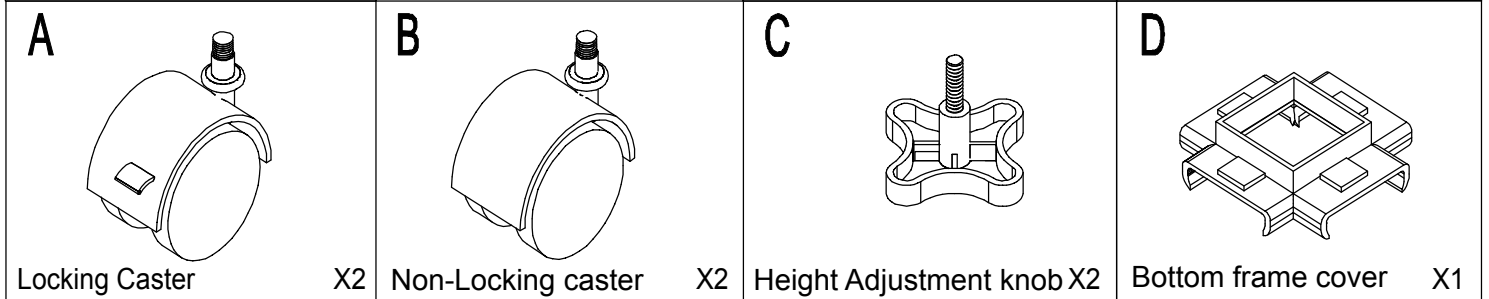
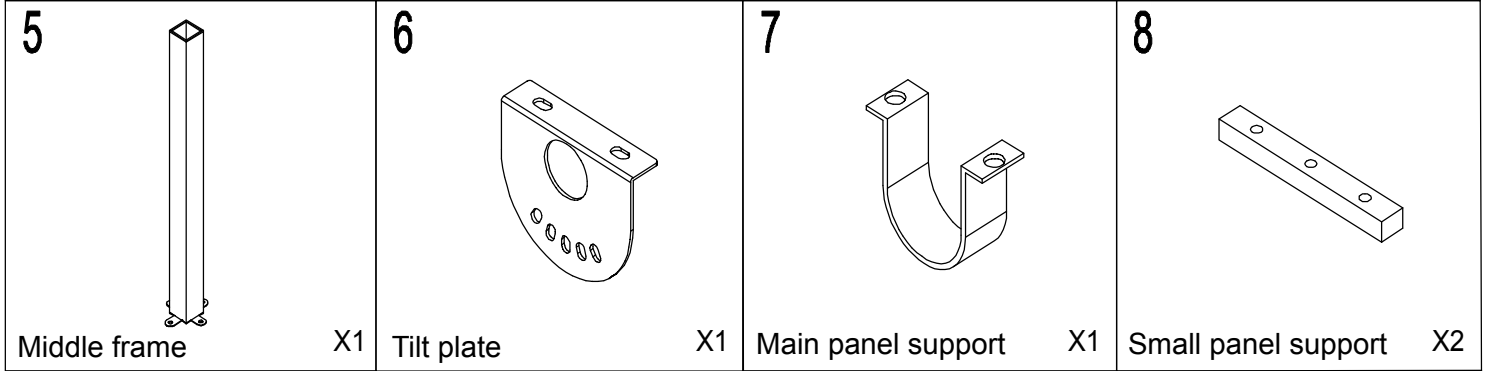
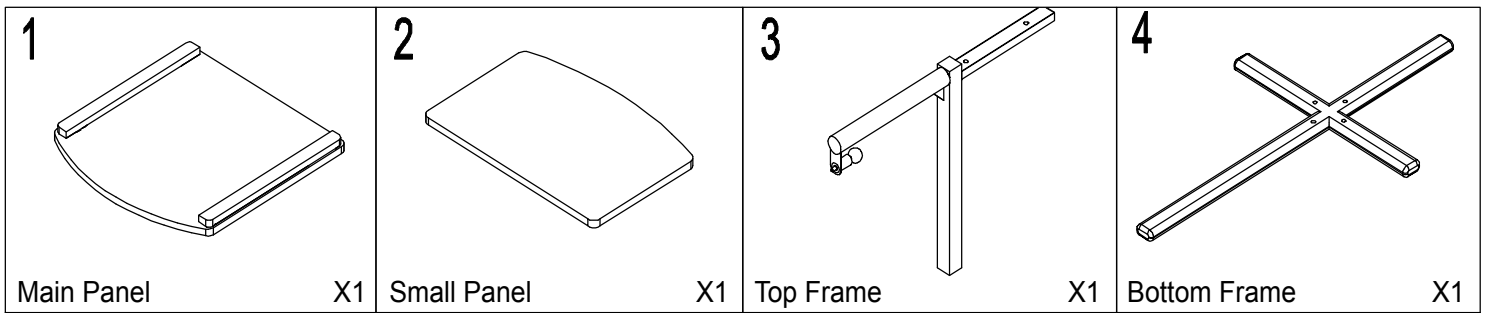
IMPORTANT: Surfaces must be cleaned with a smooth soap and water solution, then cleared with a dry towel. Do not use solvents over surfaces or structural tubes.

**Thanks for purchasing one of our products.
Please read carefully the assembly instructions before the installation.
Please save this manual for future reference**

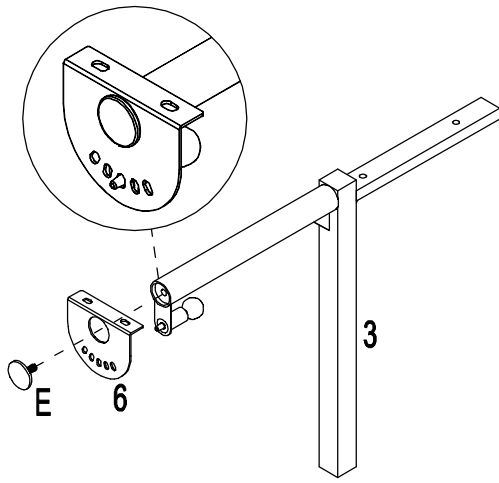
WARNING:
DO NOT EXPOSE THE SURFACES TO DIRECT SUN LIGHT. EXPOSURE WILL DAMAGE IT SURFACES, WHICH WILL NOT BE COVERED UNDER THE PRODUCT'S WARRANTY.



MODEL RTA-B003

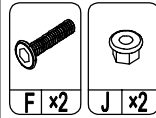
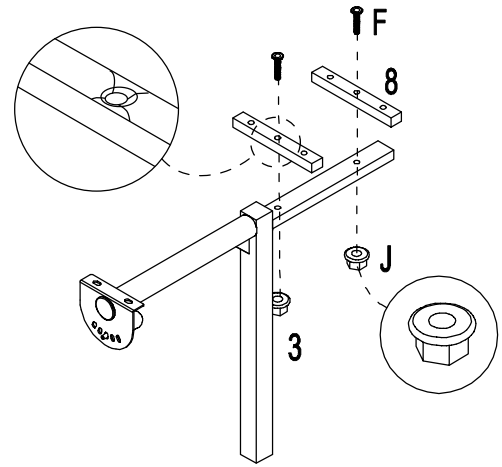


3



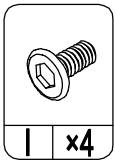
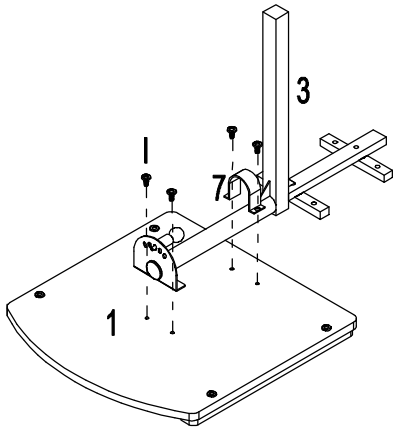
Take the tilt plate #6 and insert it into round tube of part #3 and affix it with part "E".

4



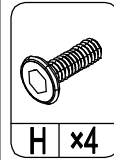
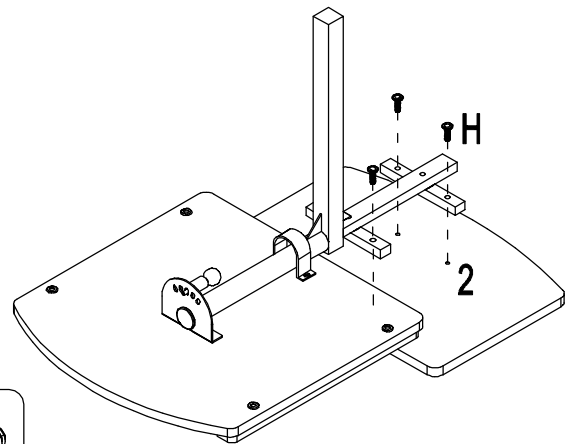
Take both metal parts #8 and place them on the other side of the top frame #3 and affix them with "F" and "J".

5



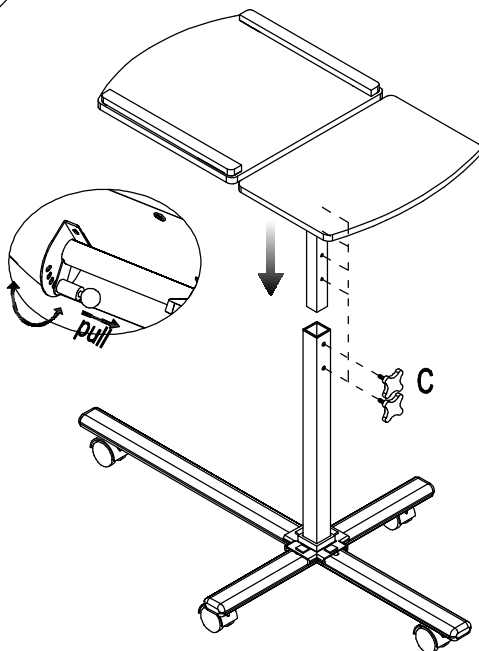
With the main panel #1 upside-down, place the completed top frame on it, making the holes on the tilt plate coincide with the set of holes in the center of the panel, then affix the tilt plate and the part #7 using screws "I" as shown.

6



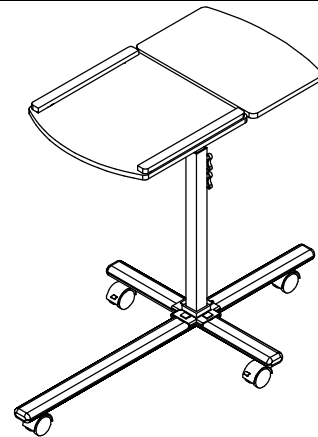
Now take small panel #2 and attach it to top frame #3 with screws "H".

7



Insert the top frame into the middle frame, and after selecting a desired height, insert the height adjusting knobs "C" into the holes and tighten them. To adjust the tilt angle of the main panel, pull the round head knob located behind the tilt plate, and release it when the desired angle is reached

8



ATTENTION: AS A SAFETY PRECAUTION, REMOVE ALL OBJECTS FROM THE PRODUCT EVERYTIME YOU NEED TO ADJUST THE HEIGHT OR THE ANGLE OF THE ITEM.

PROBLEM WITH YOUR PURCHASE?

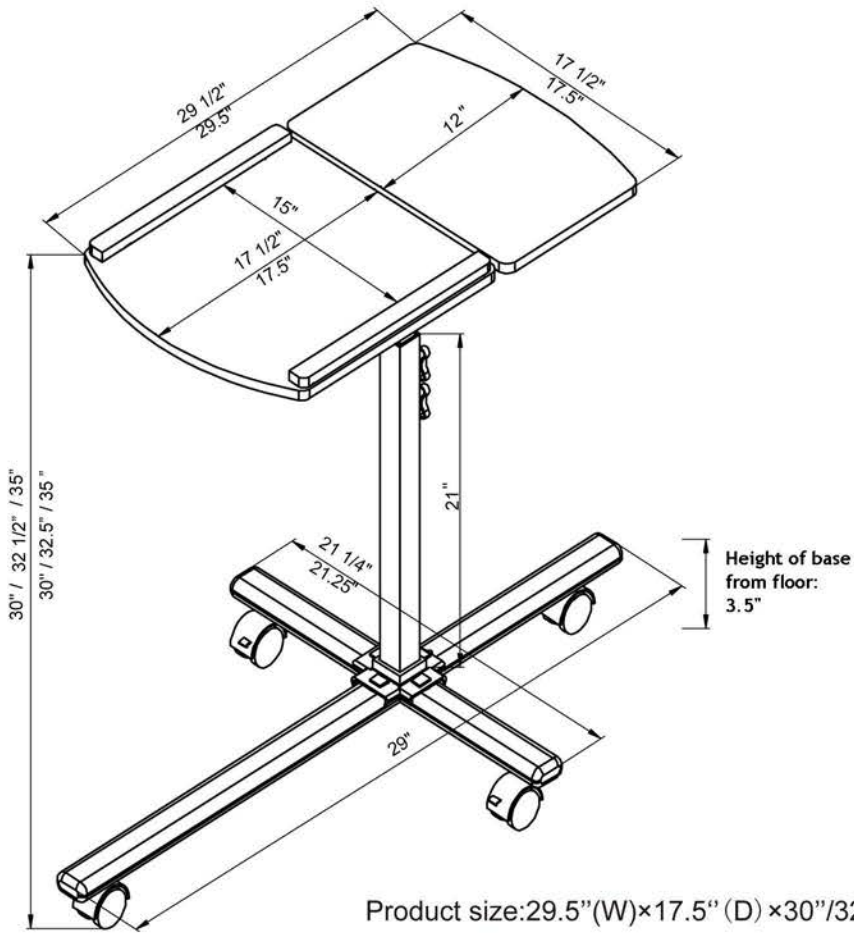
Contact Us First!

- **ORDER PARTS ONLINE** at: www.rtaproducts.com
- E-mail us at: warranty@rtaproducts.com
- Call Customer Service at: Toll Free 866.782.8262

(Customer Service available: M - F • 9:00am - 4:30pm ET)

RTA-B003 LAPTOP CART

DIMENSIONS



MAXIMUM WEIGHT CAPACITIES

