

Skyline Black Bench with Stainless Steel Sides (4 ft. and 6ft.)

Item #:

725001 – 4 Foot Black Bench w/ Stainless Sides

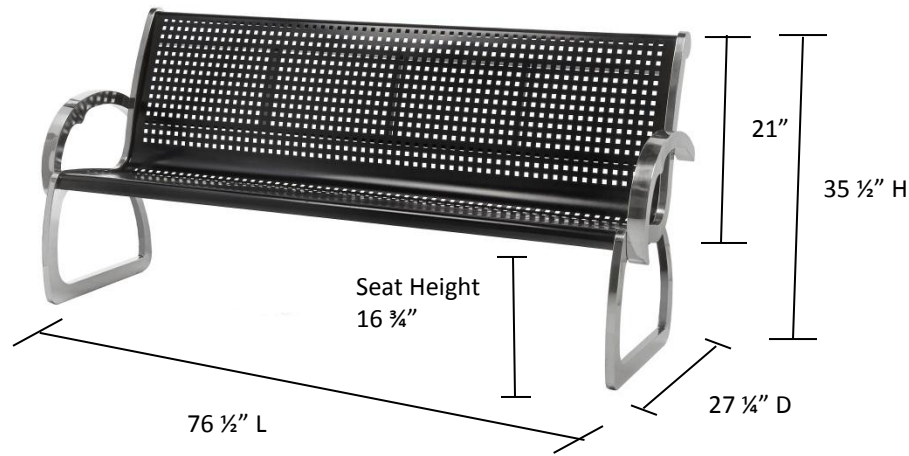
725101 – 6 Foot Black Bench w/ Stainless Sides

6 Ft Bench Shown

Material Process: Steel with stainless steel, 304-grade sides and legs

Standard Inclusions for 4 foot and 6 foot bench:
Surface mounting hardware

Shipping Information: Ships unassembled via Truck. 6ft bench ships on oversized skid. 4ft bench can ship via UPS but it is recommended to ship via truck.



Pre-Production Estimate

Length	Depth	Height	Seat Depth	Backrest Height	Seat Height	Standard Size	Weight
52 1/2"	27 1/4"	35 1/2"	15 1/2"	21"	16 3/4"	4 Ft	41 lbs
76 1/2"	27 1/4"	35 1/2"	15 1/2"	21"	16 3/4"	6 Ft	61 lbs

Item #	Carton Size	# Cartons Shipped	Dimensional Wt.	Carton Wt.	Pallet Size	Product + Pallet Wt
725001	51"L x 35"W x 19"H	1 via Truck	205 lbs	53 lbs	TBD	TBD
725101	75"L x 35"W x 19"H	1 via Truck	301 lbs	80 lbs	TBD	TBD

Sturdy bench offers a comfortable seating area that is perfect for indoors and outdoors. Stainless steel sides and legs create an elegant style that complements any environment. This classic bench can be seen outdoors in a park, airports, apartments and hotels or use indoors at conference centers, public buildings and offices.

- Black, powder-coated steel is durable and designed to withstand harsh weather conditions for year round use both indoors and outdoors
- Decorative, heavy gauge 304-grade stainless steel legs offer beauty and strength for a long service life
- The gentle slope of the armrests and curved backrest add style and comfort
- Predrilled anchor hole openings on legs allow for surface mounting in concrete, anchor-bolt hardware included
- Assembly required; holes are predrilled and includes hardware
- Made in Malaysia
- 1-Year Warranty



Bolt-Down Hardware Included

**COMMERCIAL
ZONE** PRODUCTS